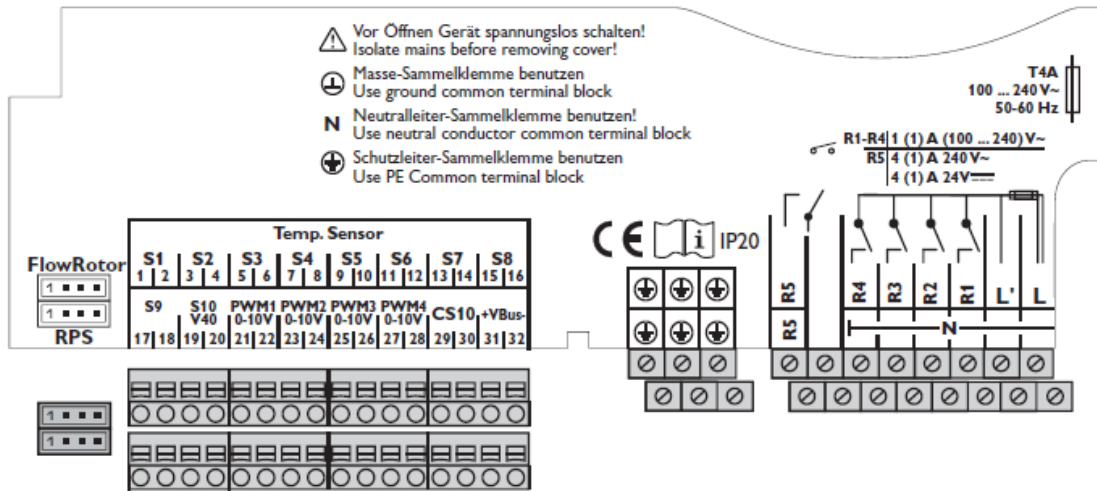
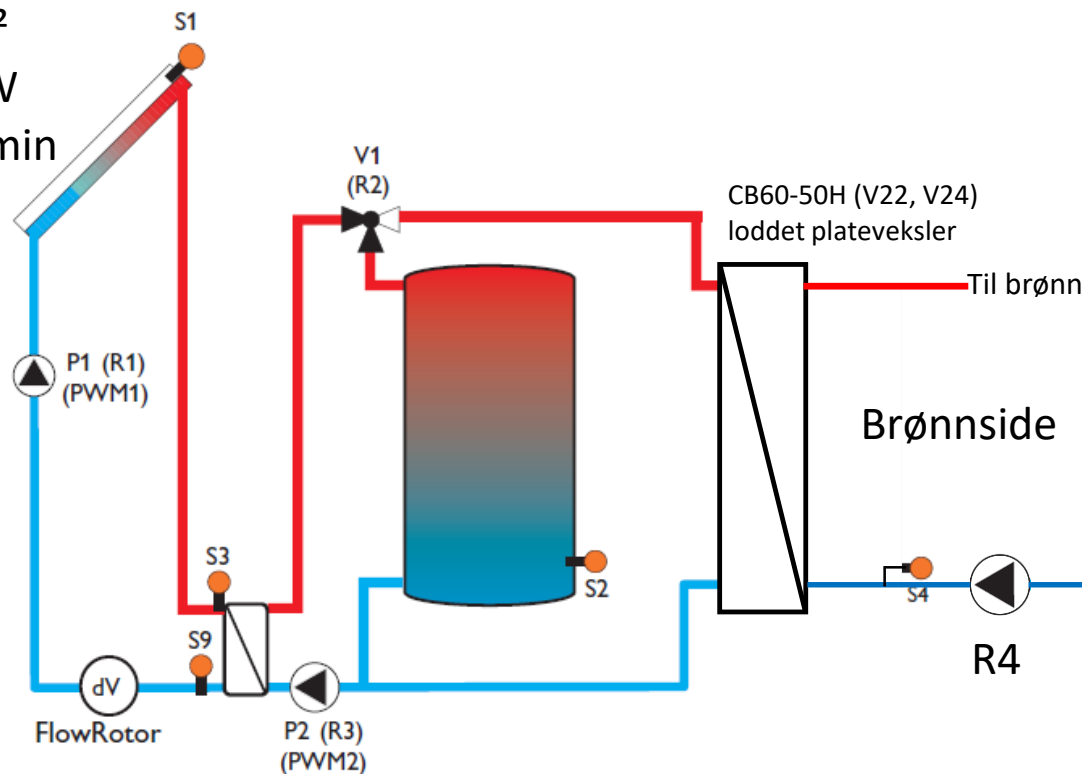


SOLEX 2 = Scheme 882

(In order to select this scheme, enter scheme number 882)



60m²
42kW
25l/min



Relay / sensor allocation

Connection terminal	Description	Indication
PWM1	Primary pump Speed control signal	Primary pump
PWM2	Secondary pump Speed control signal	Sec.ExtHX 1
S1	Collector sensor	Collector / Flow HQM 1
S2	Store sensor	Store 1
S4	Store sensor 2	Store 2
S3	Heat exchanger sensor	ExtHX: Primary 1
S9	Return sensor	Return HQM 1
FlowRotor	Flow rate sensor	FlowRotor
R1	Primary pump Power supply	
R2	3-port changeover valve	3PV store 2
R3	Secondary pump Power supply	

R4 Brønnpumpe. Starter parallellt med vekselventil R2. Legges inn som parallellrelè med R2 som referanse.

Functions

Function	Factory setting	Relais	Sensors
External heat exchanger, solar	yes	P2	S3
Flow rate monitoring	yes	P1	FlowRotor
Heat quantity measurement	yes	FlowRotor	S3, S9
Heat transfer fluid	Tyfocor LS		