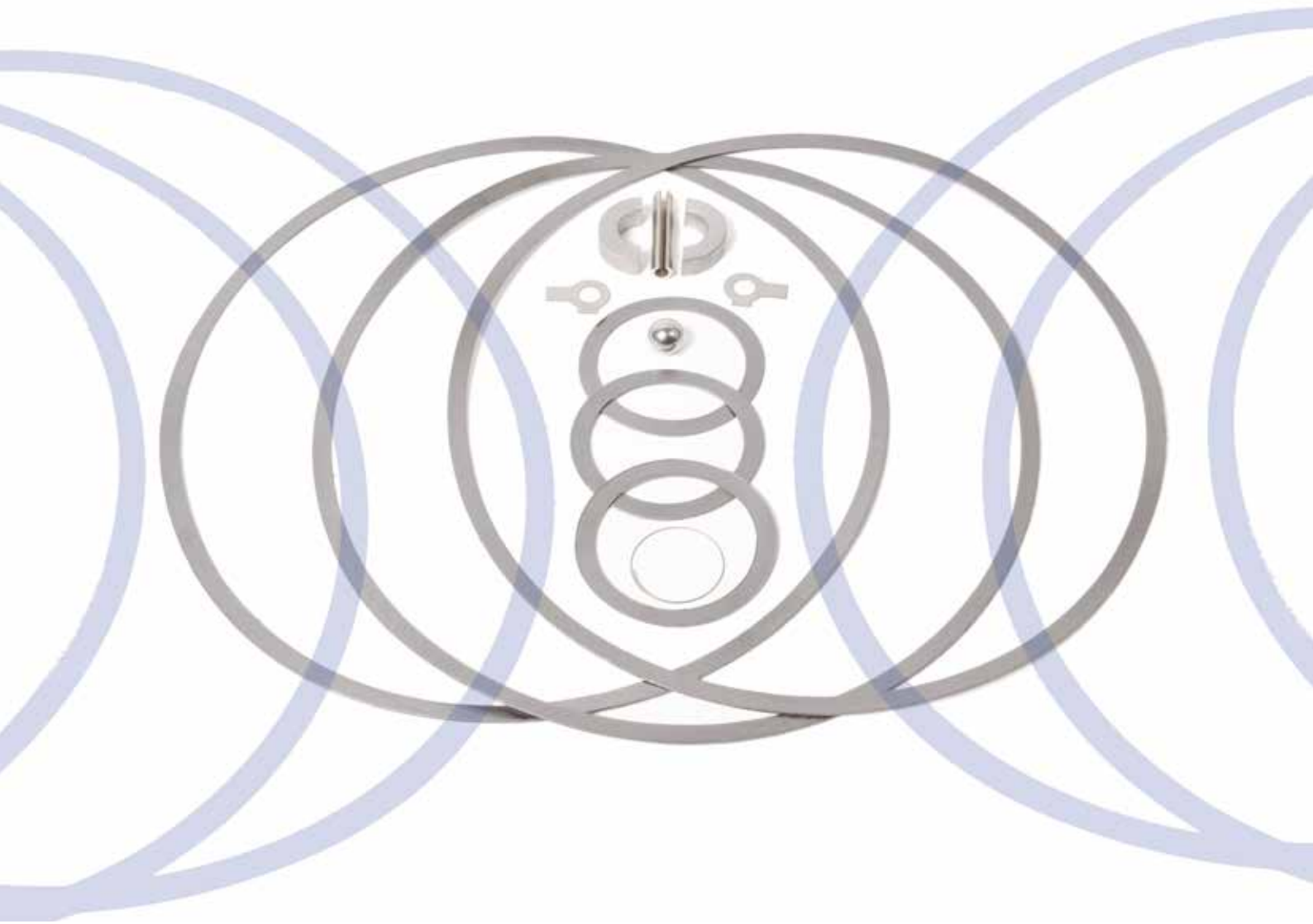


LESER Original Spare Parts Kits

Maintenance Support



LESER

The-Safety-Valve.com

LESER Original Spare Parts Kits – General Information

The Challenge of Spare Parts Management

How can the handling and logistics of spare parts for the maintenance of a safety valve be optimized?

Do you always know exactly which replacement parts are required for the maintenance and where a certain spare part is installed?

How can the ordering process, warehousing and logistics for many items be handled easily and efficiently?

Get to know the LESER Spare Parts Kits.

LESER Original Spare Parts Kits

- The LESER Spare Parts Kits contain all the parts recommended for the regular maintenance of a LESER safety valve
- The LESER original spare parts are individually packaged and clearly identified
- The Spare Parts Kits include instructions for identifying and allocating the individual parts
- Detailed maintenance instructions for all LESER product groups and safety valve types are described in the Maintenance Handbook with photo documentation and are available at www.leser.com
- The Spare Parts Kits can be ordered with one article number
- The Spare Parts Kits are available within 72 hours ex works Hohenwestedt/Germany or in even less time from one of our many stocks worldwide



Spare Parts Kits with original LESER spare parts are available for the following safety valves:

API	High Efficiency	High Performance	Compact Performance	Modulate Action
Type 526	Type 811	Type 441, 442 DIN	Type 459	Type 427, 429
	Type 821	Type 441, 442 ANSI	Type 462, 462 HDD	Type 431, 433
		Type 441, 442 DIN Full nozzle		
		Type 441, 442 ANSI Full nozzle		

Easy maintenance handling

- 1 Instructions for identifying and allocating the individual parts
- 2 Sturdy external packaging with hanger for space-saving storage
- 3 Protection against dust and moisture in every climatic condition thanks to the insert bag
- 4 Original spare parts individually removable thanks to the pressure lock
- 5 Easy identification of individual parts



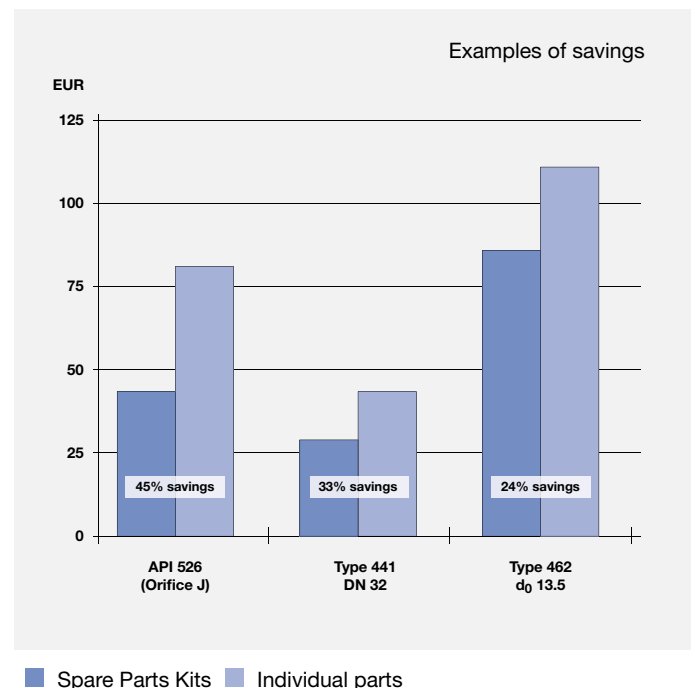
Our references

- LESER Original Spare Parts Kits are successful worldwide
- Every eighth API valve is supplied with a Spare Parts Kit
- Every fourth Pilot Operated Safety Valve (POSV) is ordered with a Spare Parts Kit

Benefits

- Clearer: The Spare Parts Kit provides all the spare parts recommended by LESER to be replaced during the regular maintenance of a safety valve. It minimizes the risk of ordering wrong parts.
- Better: Easy maintenance through the clear labelling of the original spare parts. The Spare Parts Kit reduces the variety of parts at stock.
- Easier: One article number reduces the effort and time of ordering
- Cost effective: Kits are less expensive than the sum of the individual parts
- Rapid availability: The Spare Parts Kits are available within 72 hours ex works Hohenwestedt/Germany or in even less time from one of our many stocks worldwide

LESER Original Spare Parts Kits: A picture-perfect solution for maintenance handling from LESER.



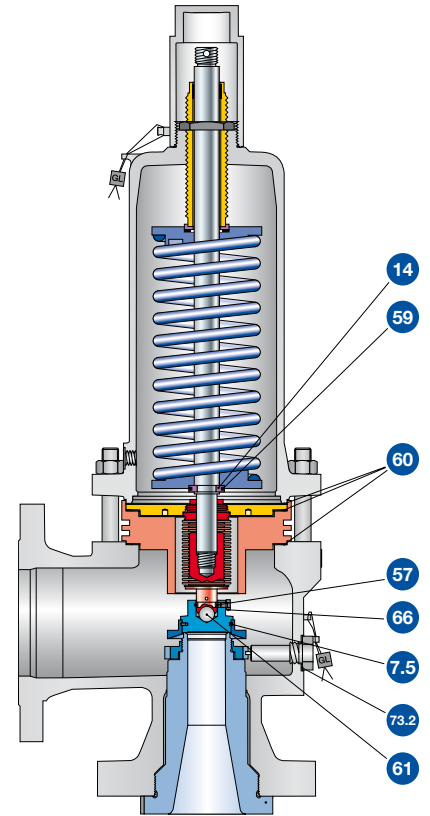
API

The API Spare Parts Kits are organised by orifice letter:

Orifice	Flange Class
D – G	CL150 – CL2500
H – L	CL150 – CL1500
M – P	CL150 – CL900
Q – R	CL150 – CL600
T	CL150 – CL300

Contents

Item	Component	Material	Quantity
7.5	Securing ring (Disc)	1.4571 / 316Ti	1
14	Split ring	1.4404 / 316L	2
57	Ball	1.4401 / 316	15
59	Securing ring	1.4571 / 316Ti	1
60	Gasket	Graphite / 1.4401 Graphite / 316	3
61	Ball	1.4401 / 316	1
66	Screw	1.4401 / 316	1
73.2	Gasket (Lock screw)	1.4401 / 316	1



Article numbers

Orifice	Inlet flange rating class of the safety valve					
	CL150	CL300L	CL300	CL600	CL900	CL1500
D	5012.1101			5012.1102		
E	5012.1101			5012.1102		
F	5012.1103					
G	5012.1104				5012.1121	
H	5012.1105		5012.1106			
J	5012.1107		5012.1108			
K	5012.1109			5012.1110		
L	5012.1111		5012.1112			
M	5012.1113					
N	5012.1114					
P	5012.1115		5012.1116			
Q	5012.1117					
R	5012.1118		5012.1119			
T	5012.1120					

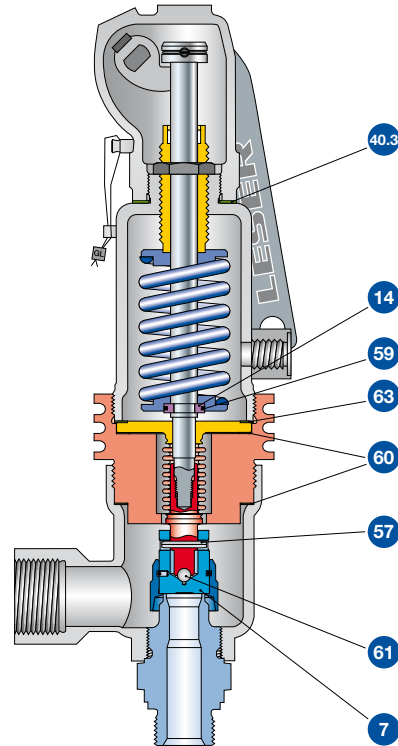


Compact Performance – Type 459

Contents

Item	Component	Material	Quantity
7	Disc	1.4404 / 316L	1
14	Split ring	1.4404 / 316L	2
57	Pin	1.4310 / Stainless steel	1
59	Securing ring (split ring)	1.4571 / 316Ti	1
60	Gasket	Graphite / 1.4401 Graphite / 316	2
63	Gasket	Graphite / 1.4401 Graphite / 316	1
61	Ball	1.4401 / 316	1
40.3	Spacer	1.4571 / 316Ti	3

The Compact Performance Spare Parts Kits are the only ones equipped with a new disc. For discs size d_0 17.5 mm and smaller, LESER recommends to exchange the entire disc. The manual relapping of such small discs is uneconomical and requires high effort.



Article numbers

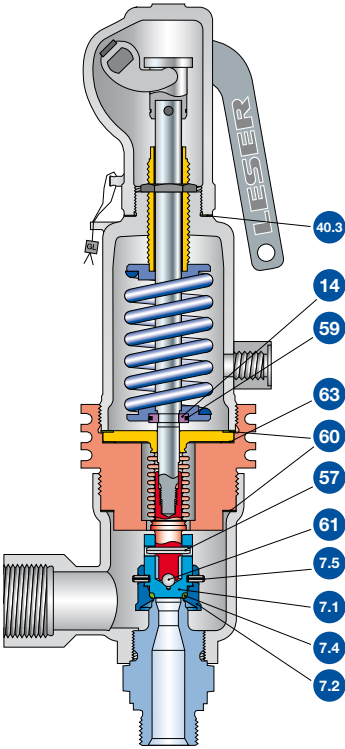
	d_0	9	13	17.5
	Art. No.			
Type 459	5012.	1230	1231	1232



Compact Performance – Type 462, 462 HDD

Contents

Item	Component	Material	Quantity
7.1	O-ring disc body	1.4404 / 316L	1
7.2	Lifting aid	1.4404 / 316L	1
7.4	O-ring	FKM (70/75 Shore A)	1
7.4	O-ring	FKM (90 Shore A)	1
7.4	O-ring	EPDM (70 Shore A)	1
7.5	Pin	1.4310 / Stainless steel	2
14	Split ring	1.4404 / 316L	2
59	Securing ring (split ring)	1.4571 / 316Ti	1
57	Pin	1.4310 / Stainless steel	1
61	Ball	1.4401 / 316	1
60	Gasket	Graphite / 1.4401 Graphite / 316	2
63	Gasket	Graphite / 1.4401 Graphite / 316	1
40.3	Spacer	1.4571 / 316Ti	3



The Compact Performance Type 462 Spare Parts Kits are equipped with three O-rings in the two most commonly used materials – FKM and EPDM – with different shore hardness. The correct O-ring should be selected depending on the set pressure.

Article numbers

	d_0	9	13	17.5
Art. No.				
Type 462				
Type 462 HDD	5012.	1233	1234	1235



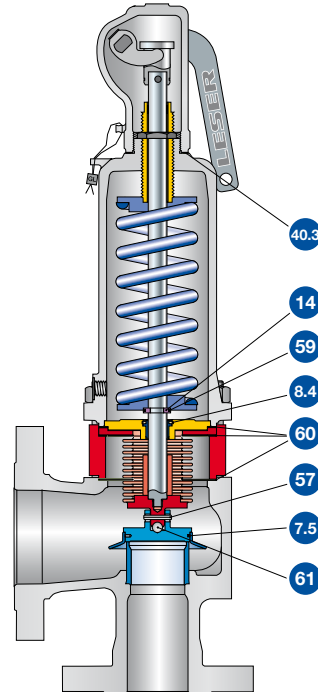
High Performance

Spare Parts Kits are available for nominal sizes from DN 20 to DN 200 of the following types:

- Type 441, 442 DIN
- Type 441, 442 ANSI
- Type 441, 442 DIN Full nozzle
- Type 441, 442 ANSI Full nozzle

Contents

Item	Component	Material	Quantity
7.5	Securing ring (Disc)	1.4571 / 316Ti	1
8.4	Securing ring (Guide)	1.4571 / 316Ti	1
14	Split ring	1.4404 / 316L	2
40.3	Spacer	1.4571 / 316Ti	3
57	Pin	1.4310 / Stainless steel	1
59	Securing ring (Split ring)	1.4571 / 316Ti	1
60	Gasket	Graphite / 1.4401 Graphite / 316	3
61	Ball	1.4401 / 316	1
1.9	O-ring (Lifting device H4)	FKM	1



Article numbers

DN	20	25	32	40	50	65	80	100	125	150	200
Valve size	-	1" x 2"	1 1/2" x 2"	1 1/2" x 2 1/2"	2" x 3"	3" x 4"	-	4" x 6"	-	-	-
Art. No. 5012.	1201	1202	1203	1204	1205	1206	1207	1208	1209	1210	1211



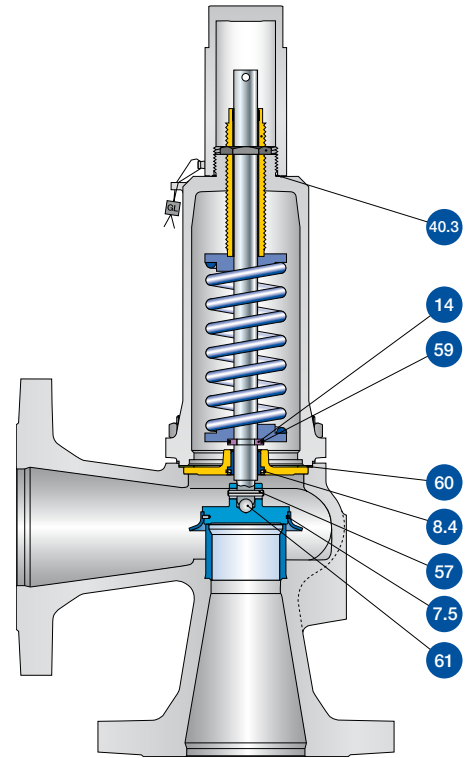
Modulate Action

Spare Parts Kits are available for nominal sizes from DN 15 to DN 150 of the following types:

- Type 427
- Type 429
- Type 431
- Type 433

Contents

Item	Component	Material	Quantity
7.5	Securing ring (Disc)	1.4571 / 316Ti	1
8.4	Securing ring (Guide)	1.4571 / 316Ti	1
14	Split ring	1.4404 / 316L	2
40.3	Spacer	1.4571 / 316Ti	3
57	Pin	1.4310 / Stainless steel	1
59	Securing ring (Split ring)	1.4571 / 316Ti	1
60	Gasket	Graphite / 1.4401 Graphite / 316	3
61	Ball	1.4401 / 316	1
1.9	O-ring (Lifting device H4)	FKM	1



Article numbers

DN	15 – 20	25	32	40	50	65	80	100	125	150
Art. No. 5012.	1201	1201	1201	1201	1212	1213	1204	1214	1215	1216

