

### Type ZLND 32125 . . . 300500

#### TECHNICAL DATA

Flow:	max. 1800 m <sup>3</sup> /h
Head:	max. 140 m
Speed:	max. 3600 rpm
Material:	cast iron (0B, 0C, 0E), spheroidal cast iron (1B) and stainless steel (4B)
Temperature:	max. 170 °C depending on the shaft sealing and material execution. (Hot water <sup>1)</sup> up to 140°C)
Casing Pressure:	material design 4B PN 16 0B, 0C, 0E, 1B PN 16 / 10 <sup>1)</sup> / 14 <sup>2)</sup>
Shaft sealing:	mechanical seal or stuffing box
Flange connections:	material design 4B DIN 2501 PN 16 0B, 0C, 0E, 1B DIN 2501 PN 16
Direction of rotation:	clockwise when looking at the pump from the drive end.



#### APPLICATION

Volute casing pumps of the ZLN range (meeting DIN 24255 / EN 733 and ISO 9908) are used when clear or turbid liquids free from solid particles are to be pumped. Application areas for pumps in this range include:

- Automobile, mechanical and general engineering industries
- Food and beverage industry
- Pharmaceutical industry
- Paint industry
- Plastic and rubber industry
- Iron and non-ferrous metal industry
- Paper and pulp industry
- Textile industry
- Building and construction industry
- Heating and air conditioning
- Drainage
- Water supply
- Irrigation

A range of materials is available to meet the specific needs of customers. For applications not covered by this pump range we offer the ISOchem range.

#### DESIGN

Horizontal, single-stage volute casing pumps with connections and main dimensions to DIN 24255 / EN 733, plus 19 additional sizes. The design of the pump allows the complete drive unit to be withdrawn from the casing without disturbing the attached pipe work. If a spacer type coupling is used, it is also unnecessary to disconnect the motor.

The range covers 50 sizes with only 5 different bearing brackets.

#### CONSTRUCTION

##### Casing pressure:

Material 4B:	max 16 bar from - 40 °C to +120 °C max 14 bar from 120°C up to +170 °C
Material 0B, 0C, 0E, 1B:	max 16/10 <sup>1)</sup> /14 <sup>2)</sup> bar from - 20 °C to +120 °C max 14/9 <sup>3)</sup> /8 <sup>2)</sup> bar from 120 °C up to +170 °C

Max. casing pressure= inlet pressure + delivery head at zero flow

**Please note:** The relevant technical regulations and safety rules must be observed.

##### Flanges location:

Axial suction flange, discharge flange radially upwards.

##### Flanges:

Material design 4B: Complies with DIN 2543 PN 16  
Material design 0B, 0C, 0E, 1B: DIN 2533 PN 16  
Flanges drilled according to ANSI 150 can be supplied.

133.65901.57.01 E

##### Bearings:

Bearing brackets 25, 35 and 45: Two ball bearings, lifetime greased (Z2), design code B, or oil lubrication, design code C.  
Bearing brackets 55 and 65: One double row angular contact bearing on pump side, plus one ball bearing on drive side, grease lubricated S or oil lubricated T.

##### Shaft sealing (Stuffing box and single mechanical seal)

Code 041:	Self-sealed, uncooled packing rings
Code 052:	Uncooled packing rings, external sealing liquid
Code B27:	Unbalanced bellows mechanical seal, seal face materials WC/Carbon, elastomer EPDM
Code AF3:	Balanced mechanical seal, seal face materials SiC/Carbon, elastomer EPDM
Code BJ3:	Unbalanced bellows mechanical seal, seal face materials SiC/Carbon, elastomer EPDM
Code C23:	Unbalanced bellows mechanical seal, seal face materials SiC/Carbon, elastomer EPDM
Code AFS:	Balanced mechanical seal, seal face materials SiC/ SiC, elastomer FPM (Viton)
Code BJS:	Unbalanced bellows mechanical seal, seal face materials SiC/ SiC, elastomer FPM (Viton)
Code C2S:	Unbalanced bellows mechanical seal, seal face materials SiC/ SiC, elastomer FPM (Viton)
Code AFK:	Balanced mechanical seal, seal face materials SiC/carbon, elastomer FPM (Viton) double PTFE (Teflon) wrapped
Code AFJ:	Balanced mechanical seal, seal face materials SiC/carbon, elastomer FPM (Viton)
Code BJJ:	Unbalanced bellows mechanical seal, seal face materials SiC/Carbon, elastomer FPM (Viton)
Code C2J:	Unbalanced bellows mechanical seal, seal face materials SiC/Carbon, elastomer FPM (Viton)

Codes AX3, AXS, AXK: are equivalent to AF3, AFS, AFK plus quench

Codes AY3, AYS, AYK: are equivalent to AF3, AFS, AFK plus heating

Codes A93, A9S, A9K, A9J: are equivalent to AF3, AFS, AFK, AFJ plus external flushing

As an option, Code 051 (as 052, but with inlet and outlet) and other sealing execution can be supplied on request.

<sup>1)</sup> Water quality according to VdTÜV 1466; additional requirement: O<sub>2</sub> (oxygen) < 0,02 mg/l.

<sup>1)</sup> From 200315 to 300-500

<sup>2)</sup> 150-500

<sup>4)</sup> From 80-400 to 300-500 except 150-500

**Shaft sealing (double mechanical seal):**

Code M1S: Double mechanical seal in tandem arrangement, seal face materials SiC / SiC, elastomer FPM (Viton). Type GNZ.

Code N1S: Double mechanical seal in tandem arrangement, seal face materials SiC / SiC, elastomer FPM (Viton). Type M7N.

Code NFS: Double mechanical seal in back to back arrangement, seal face materials SiC / SiC, elastomer FPM (Viton). Type M7N.

**Material design:**

Item	Component	Material					Construction					
		Mat. N°	DIN denomination	ISO EN denomination	US Material		0B	0C	0E	1B	4B	
					ASTM Standard	AISI						
10.20	Volute casing	EN-JL 1040 1.4408 EN-JL1025	GG-25 GX6CrNiMo18 10 GGG-40.3	EN-GJL 250 GX5CrNiMo19-11-2 EN-GJS-400-18-LT	A 278 Cl. 30 A 351 CF8M A 395	316	x	x	x		x	
16.10	Casing cover	EN-JL 1040 1.4408 EN-JL1025	GG-25 GX6CrNiMo18 10 GGG-40.3	EN-GJL 250 GX5CrNiMo19-11-2 EN-GJS-400-18-LT	A 278 Cl. 30 A 351 CF8M A 395	316	x	x	x		x	
21.00	Shaft	1.0503 1.4021 1.4401	C 45 X 20 Cr13 X5CrNiMo17 12 2	C 45 X 20 Cr13 X5CrNiMo17 12 2	A 576 Gr1045 A 276 Type 420 A 167 Gr316	1045 420 316	x(*) x x(**)	x(*) x x	x(*) x x(**)		x x x	
23.00	Impeller	EN-JL 1040 2.1050 1.4408	GG-25 G-CuSn10 GX6CrNiMo18 10	EN-GJL 250 GX5CrNiMo19-11-2	A 278 Cl. 30 B 427 C91600 A 351 CF8M	316	x	x		x	x	
33.00	Bearing bracket	EN-JL 1040	GG-25	EN-GJL 250	A 278 Cl. 30		x	x	x	x	x	
52.30	Shaft sleeve / Mechanical seal	1.4021	X 20 Cr13	X 20 Cr13	A 276 Type 420	420	x	x	x			
52.40	Shaft sleeve / Stuffing box	1.4021 1.4401	X 20 Cr13 X5CrNiMo17 12 2	X 20 Cr13 X5CrNiMo17 12 2	A 276 Type 420 A 167 Gr316	420 316	x	x	x		x	
46.10	Shaft seal / Stuffing box	Soft packing						x	x	x		
43.30	Mechanical seal	Silicon Carbide / Carbon EPDM or Viton ( See other options )						x	x	x	x	x
43.31	Mechanical seal	Silicon Carbide / Carbon EPDM or Viton ( See other options )						x		x		x
43.32	Mechanical seal	Silicon Carbide / Carbon EPDM or Viton ( See other options )						x		x		x

(\*) Only in bearing brackets 55 and 65.

(\*\*) For shaft sealing double mechanical seal

**Casing gasket:**

The casing is sealed by means of a confined flat gasket of EWP 210 material. Code of this design: 2

The casing is sealed by means of a confined flat gasket of PTFE. Code of this design: 4

**Motor Power:**

Using commercial electric motors, type of construction IM B3.

To determine the drive power we recommend the following safety margin:

Up to 4 kW: 25%

4 to 7,5 kW: 20%

above 7,5 kW: 15%

The following speeds must not be exceeded:

Size	max. speed rpm	Size	max. speed rpm	Size	max. speed rpm	Size	max. speed rpm
32125 32160	3600	32250	3000	40315 <sup>3)</sup> 50315 <sup>3)</sup>	1800	150500 200315	1500
32200 40125		40250		65315 80315		200400 200500	
40160 40200		50250		80400 100315		250300 250315	
50125 50160		65250		100400 125250		250400 250500	
50200 65125		80250		125315 125400		300400 300500	
65160 65200 <sup>1)</sup>		100250 <sup>2)</sup>		150200 150250 <sup>4)</sup>			
80160 <sup>1)</sup> 80200		125200 <sup>2)</sup>		150315 150400			
100160 100200		200250					

<sup>1)</sup> In material design 4B max. speed 3000 rpm

<sup>2)</sup> In material design 4B max. speed 1800 rpm

<sup>3)</sup> In material design 0E, and 4B max. speed 3000 rpm

<sup>4)</sup> In material design 4B max. speed 1500 rpm

The max. speeds are derived from the permissible shaft loads and the permissible peripheral speeds of the impellers

**Bearing bracket / pump size:**

Bracket 25	32125 32160 32200 32250 40125 40160 40200 40250 50125 50160 50200 50250 65125 65160 65200 80160
Bracket 35	40315 50315 65250 65315 80200 80250 80315 100160 100200 100250 100315 125200 125250 150200 150250
Bracket 45	80400 100400 125315 125400 150315 150400 200250
Bracket 55	150500 200315 200400 200500 250300 250315
Bracket 65	250400 250500 300400 300500

**General comments:**

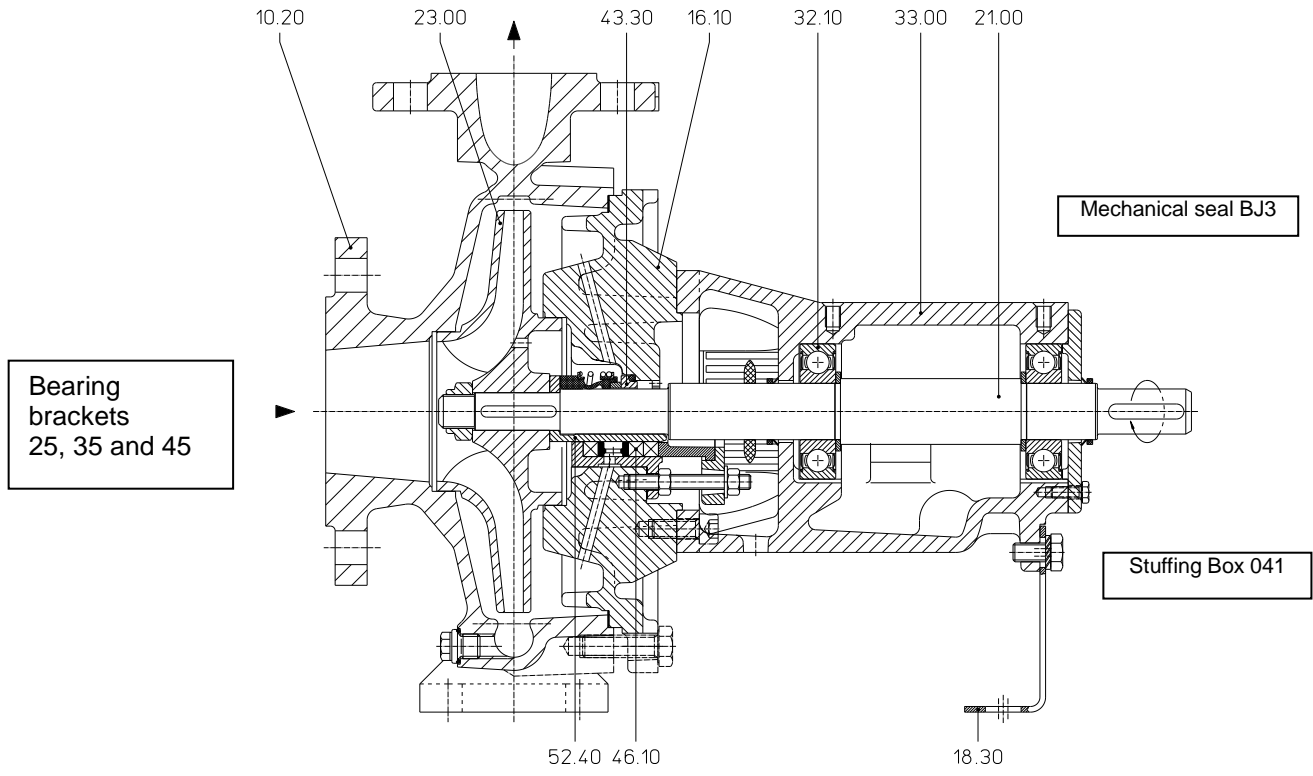
For horizontal volute pumps in CLOSE COUPLED construction with STANDARD motor for nominal performances and flange connections as per EN 733 refer to our series **ZLK**.

For INLINE pumps with the same drive unit, consisting of bearing bracket with bearing, stub shaft and mechanical seal, casing cover, impeller and impeller nut, refer to our series **ZLI** (supplied also with magnetic drive).

For equipping hot media systems a complete programme is available for a flow range between 1-1000 m<sup>3</sup>/h consisting of the range:

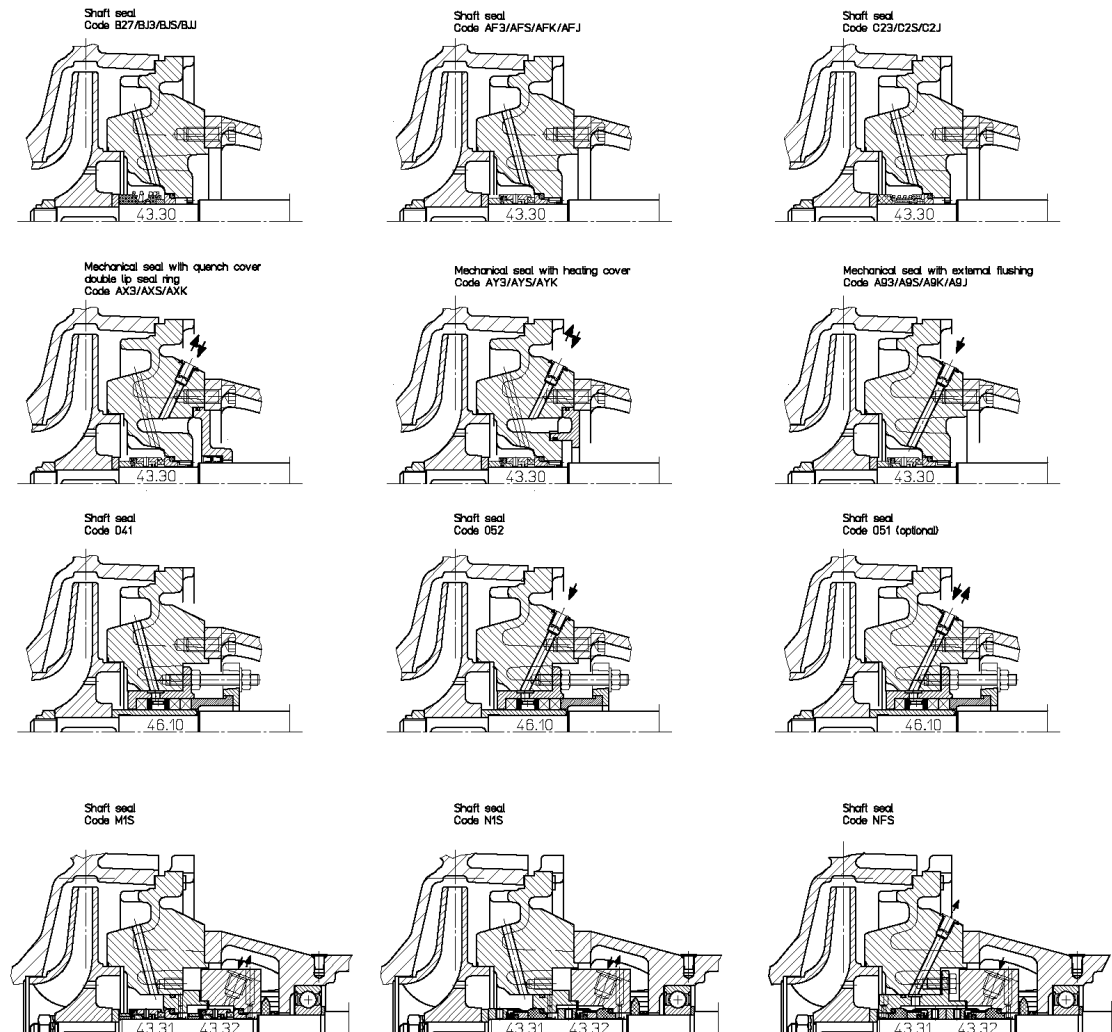
- ZTN** volute pumps to EN 733 design with base plate, t<sub>max</sub> 350 °C PN 16. Heat transfer oil.
- ZTK** volute pumps to EN 733 close coupled design, t<sub>max</sub> 350 °C PN 16. Heat transfer oil.
- ZTI** volute pumps to EN 733 as INLINE construction, t<sub>max</sub> 350° C PN 16. Heat transfer oil.
- ZEN** volute pumps to EN 22858, t<sub>max</sub> 230 °C PN 40. Hot water design.
- ZDN** volute pumps to EN 22858, t<sub>max</sub> 185 °C PN 25. Hot water design.
- ZHN** volute pumps to EN 733, t<sub>max</sub> 180 °C PN 16. Hot water design.
- ZLI** volute pumps to EN 733 as INLINE construction, t<sub>max</sub> 150 °C PN 25. Hot water design.

**SECTIONAL DRAWING AND NOMENCLATURE**

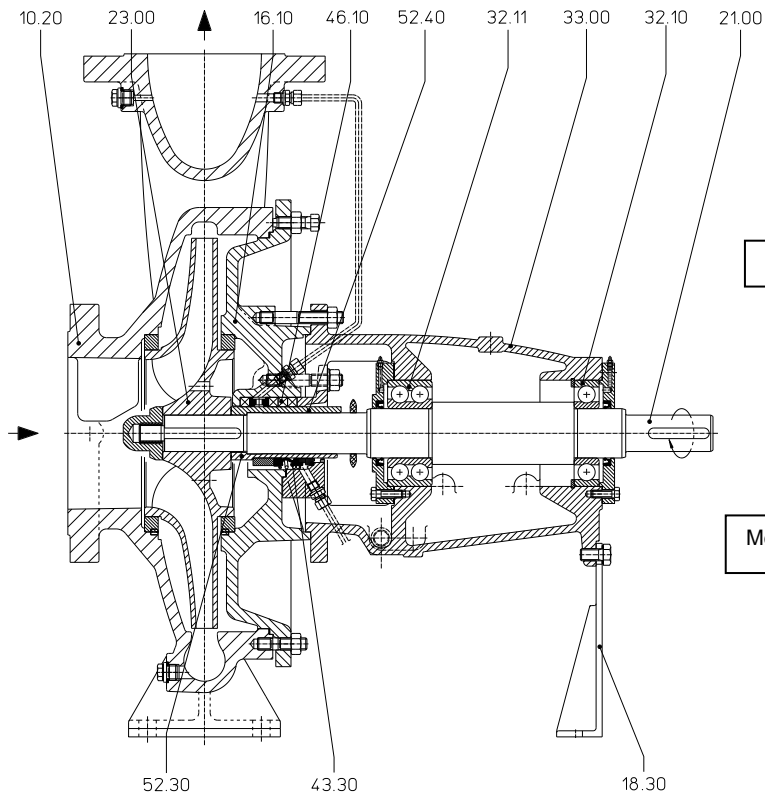


10.20	volute casing	23.00	impeller	43.30	mechanical seal
16.10	casing cover	32.10	ball bearing	46.10	stuffing box
18.30	support foot	33.00	bearing bracket	52.40	shaft sleeve (stuffing box)
21.00	shaft				

**Shafts seals**



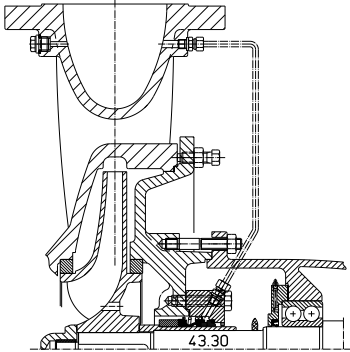
**SECTIONAL DRAWING AND NOMENCLATURE**



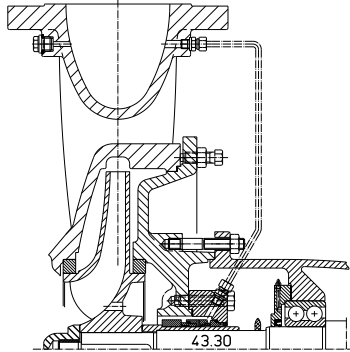
10.20	volute casing	23.00	impeller	43.30	mechanical seal
16.10	casing cover	32.10	ball bearing	46.10	stuffing box
18.30	support foot	32.11	ball bearing	52.30	shaft sleeve (mechanical seal)
21.00	shaft	33.00	bearing bracket	52.40	shaft sleeve (stuffing box)

**Shaft seals**

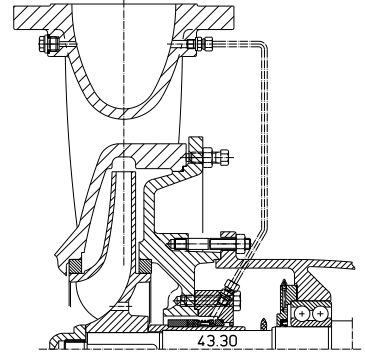
Shaft Seal  
Code BJ3/BJ5/BJJ



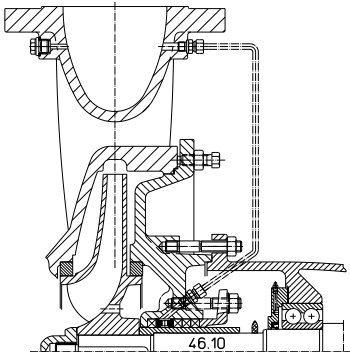
Shaft Seal  
Code AF3/AFS/AFK



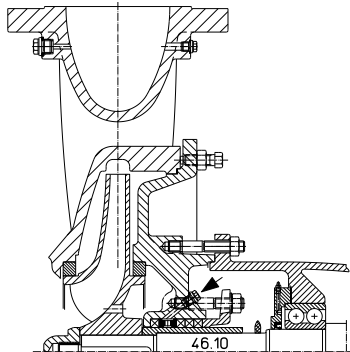
Shaft Seal  
Code C23/C2S/C2J



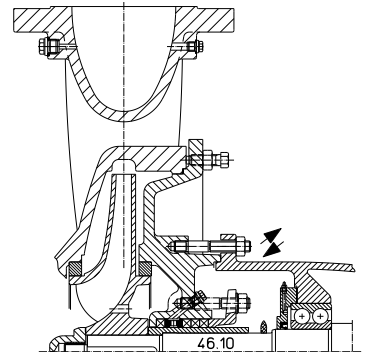
Shaft Seal  
Code 041



Shaft Seal  
Code 052

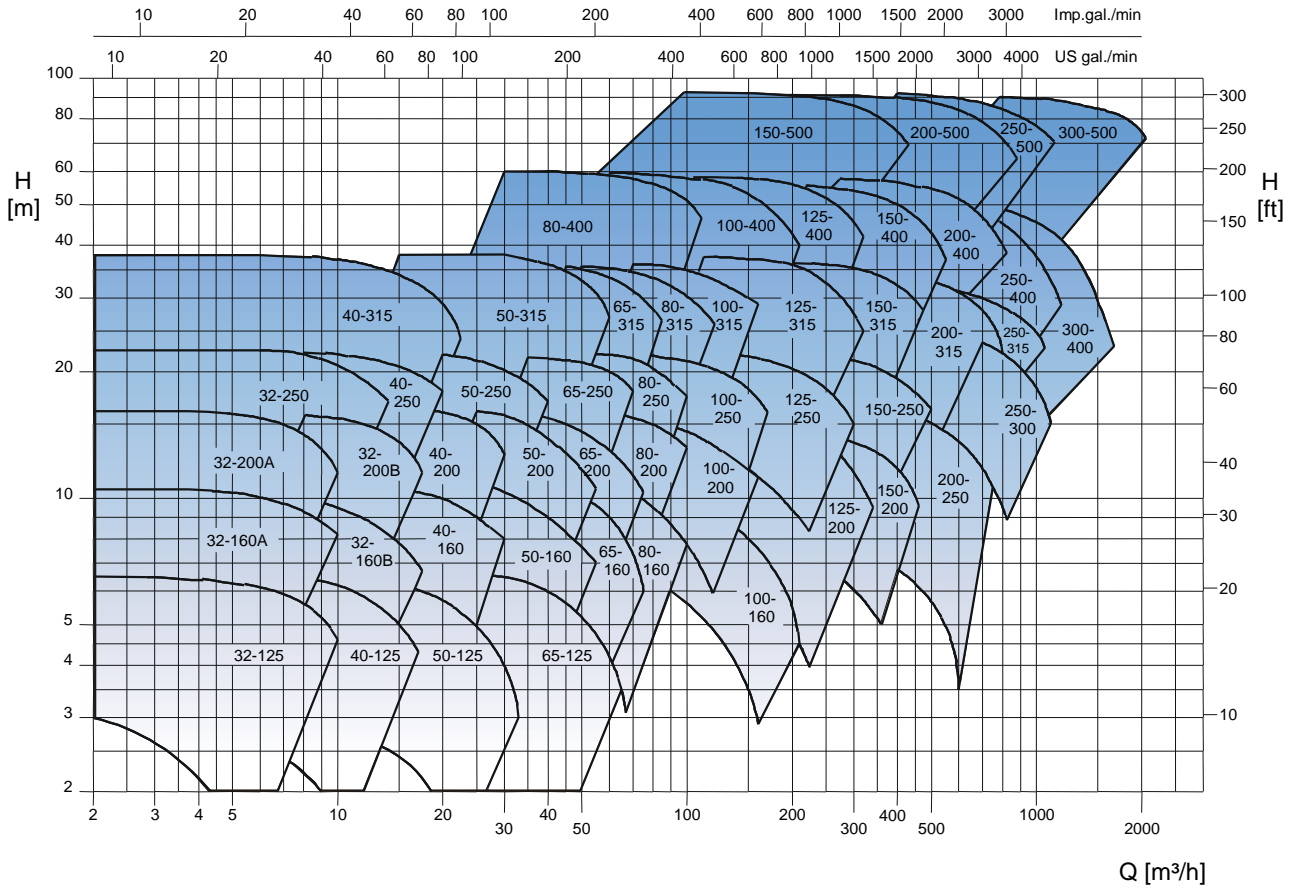


Shaft Seal  
Code 051 (optional)

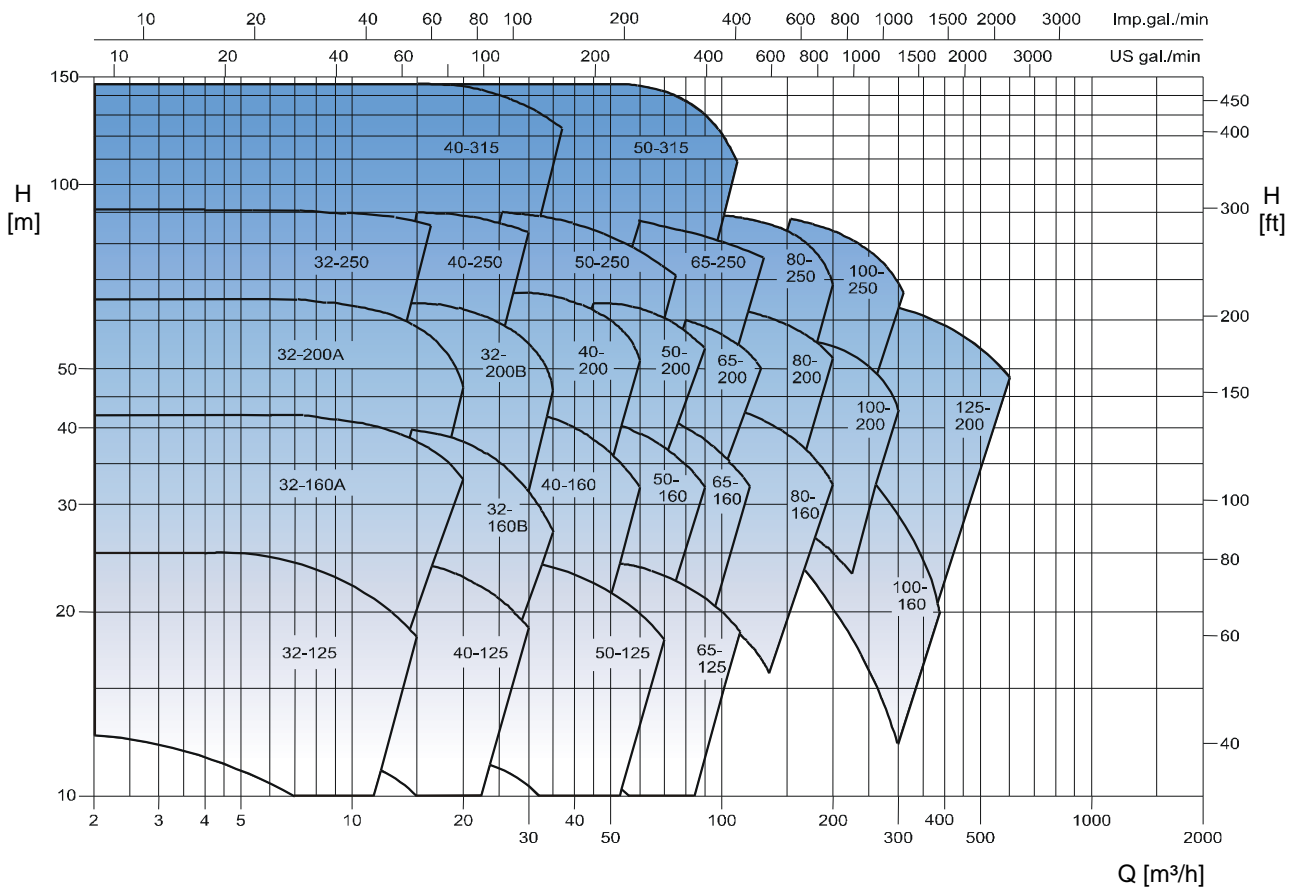


# Performance Graph 50 Hz

**n = 1450 rpm**

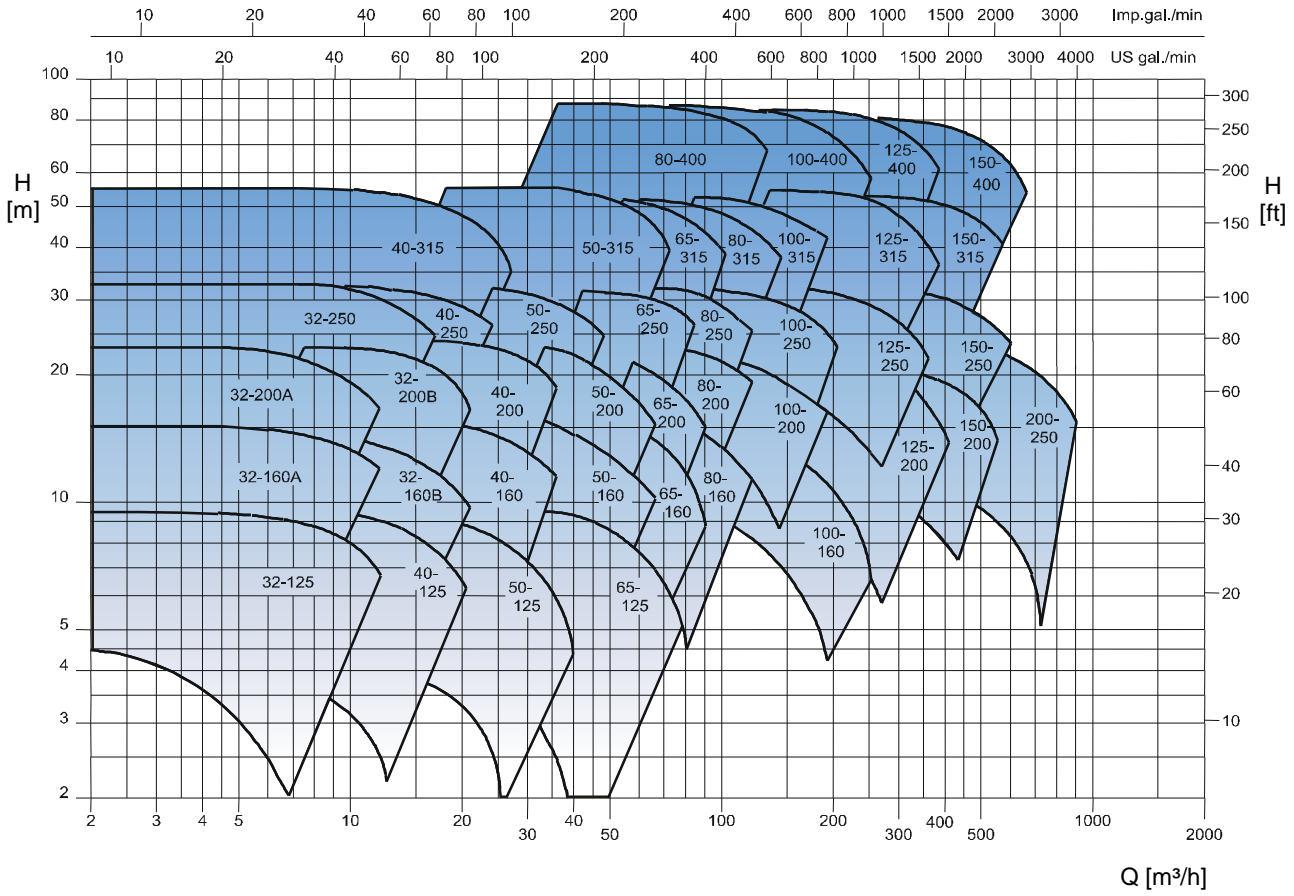


**n = 2900 rpm**

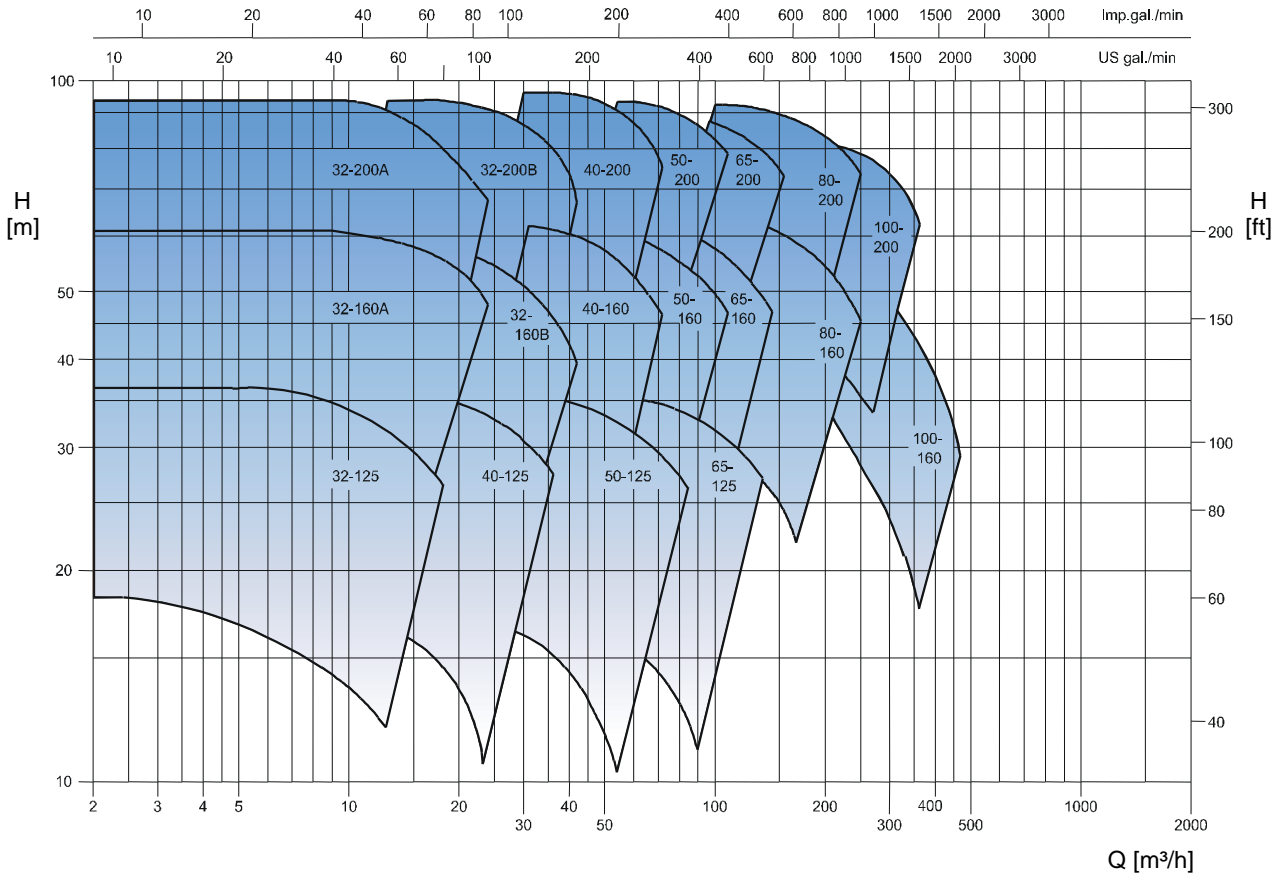


**Performance Graph 60 Hz**

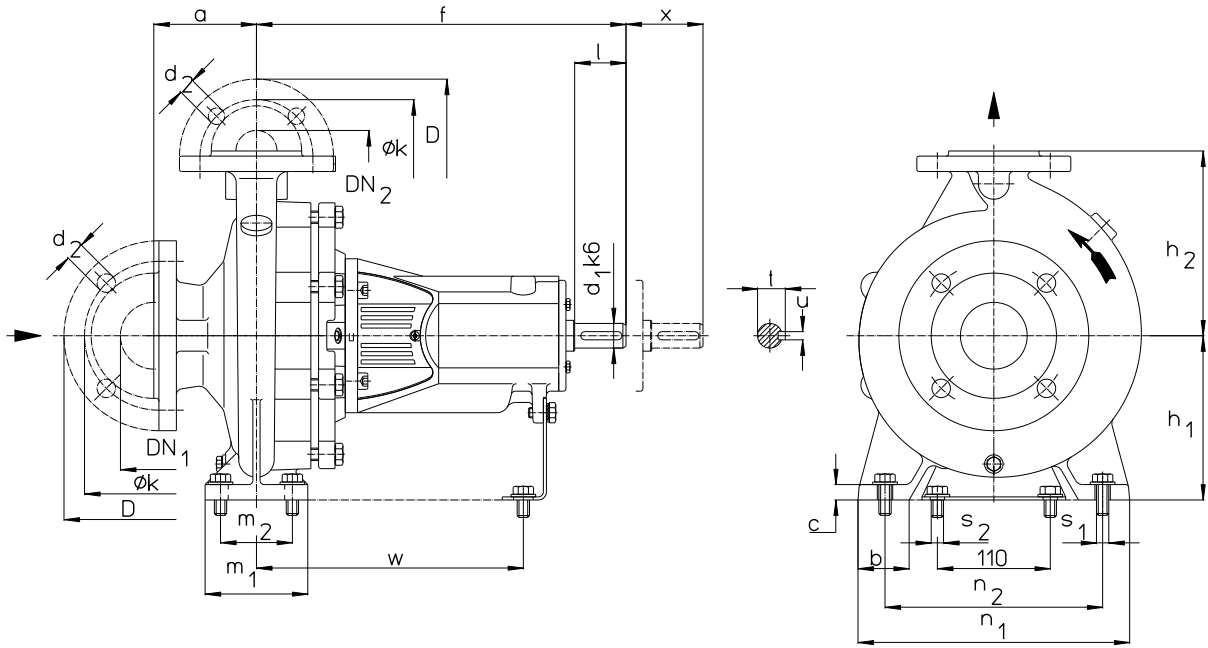
**n = 1750 rpm**



**n = 3500 rpm**



# Table of Dimensions



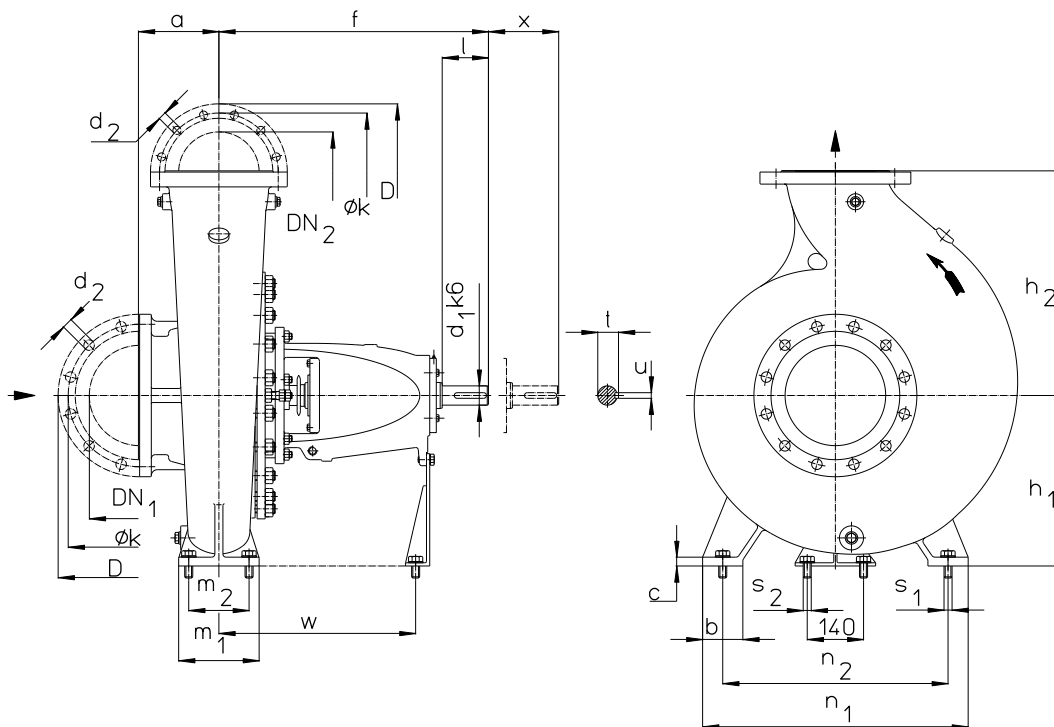
All dimensions in mm

Size	BB	Pump dimensions						Foot dimensions						Shaft end							
		DN <sub>2</sub>	DN <sub>1</sub>	a	f	h <sub>1</sub>	h <sub>2</sub>	b	c	m <sub>1</sub>	m <sub>2</sub>	n <sub>1</sub>	n <sub>2</sub>	s1*	s2*	w	x	d <sub>1</sub>	l	t	u
32125	25	32	50	80	360	112	140	50	15	100	70	190	140	M12	M12	260	100	24	50	27	8
32160	25	32	50	80	360	132	160	50	15	100	70	240	190	M12	M12	260	100	24	50	27	8
32200	25	32	50	80	360	160	180	50	15	100	70	240	190	M12	M12	260	100	24	50	27	8
32250 <sup>1)</sup>	25	32	50	100	360	180	225	65	15	125	95	320	250	M12	M12	260	100	24	50	27	8
40125	25	40	65	80	360	112	140	50	15	100	70	210	160	M12	M12	260	100	24	50	27	8
40160	25	40	65	80	360	132	160	50	15	100	70	240	190	M12	M12	260	100	24	50	27	8
40200	25	40	65	100	360	160	180	50	15	100	70	265	212	M12	M12	260	100	24	50	27	8
40250	25	40	65	100	360	180	225	65	15	125	95	320	250	M12	M12	260	100	24	50	27	8
40315 <sup>1)</sup>	35	40	65	125	470	225	250	65	18	125	95	345	280	M12	M12	340	100	32	80	35	10
50125	25	50	65	100	360	132	160	50	15	100	70	240	190	M12	M12	260	100	24	50	27	8
50160	25	50	65	100	360	160	180	50	15	100	70	265	212	M12	M12	260	100	24	50	27	8
50200	25	50	65	100	360	160	200	50	15	100	70	265	212	M12	M12	260	100	24	50	27	8
50250	25	50	65	100	360	180	225	65	15	125	95	320	250	M12	M12	260	100	24	50	27	8
50315 <sup>1)</sup>	35	50	65	125	470	225	280	65	17	125	95	345	280	M12	M12	340	100	32	80	35	10
65125	25	65	80	100	360	160	180	65	15	125	95	280	212	M12	M12	260	100	24	50	27	8
65160	25	65	80	100	360	160	200	65	15	125	95	280	212	M12	M12	260	100	24	50	27	8
65200	25	65	80	100	360	180	225	65	15	125	95	320	250	M12	M12	260	140	24	50	27	8
65250	35	65	80	100	470	200	250	80	15	160	120	360	280	M16	M12	340	140	32	80	35	10
65315	35	65	80	125	470	225	280	80	18	160	120	400	315	M16	M12	340	140	32	80	35	10
80160	25	80	100	125	360	180	225	65	15	125	95	320	250	M12	M12	260	140	24	50	27	8
80200	35	80	100	125	470	180	250	65	15	125	95	345	280	M12	M12	340	140	32	80	35	10
80250	35	80	100	125	470	200	280	80	18	160	120	400	315	M16	M12	340	140	32	80	35	10
80315	35	80	100	125	470	250	315	80	18	160	120	400	315	M16	M12	340	140	32	80	35	10
80400 <sup>1)</sup>	45	80	125	125	530	280	355	80	18	160	120	435	355	M16	M12	370	140	42	110	45	12
100160 <sup>1)</sup>	35	100	125	125	470	200	280	80	18	160	120	360	280	M16	M12	340	140	32	80	35	10
100200	35	100	125	125	470	200	280	80	18	160	120	360	280	M16	M12	340	140	32	80	35	10
100250	35	100	125	140	470	225	280	80	18	160	120	400	315	M16	M12	340	140	32	80	35	10
100315	35	100	125	140	470	250	315	80	18	160	120	400	315	M16	M12	340	140	32	80	35	10
100400	45	100	125	140	530	280	355	100	18	200	150	500	400	M20	M12	370	140	42	110	45	12
125200 <sup>1)</sup>	35	125	150	140	470	250	315	80	18	160	120	400	315	M16	M12	340	140	32	80	35	10
125250	35	125	150	140	470	250	355	80	18	160	120	400	315	M16	M12	340	140	32	80	35	10
125315	45	125	150	140	530	280	355	100	18	200	150	500	400	M20	M12	370	140	42	110	45	12
125400	45	125	150	140	530	315	400	100	18	200	150	500	400	M20	M12	370	140	42	110	45	12
150200 <sup>1)</sup>	35	150	200	160	470	280	400	100	20	200	150	550	450	M20	M12	340	140	32	80	35	10
150250 <sup>1)</sup>	35	150	200	160	470	280	400	100	20	200	150	500	400	M20	M12	340	140	32	80	35	10
150315	45	150	200	160	530	280	400	100	18	200	150	550	450	M20	M12	370	140	42	110	45	12
150400	45	150	200	160	530	315	450	100	18	200	150	550	450	M20	M12	370	140	42	110	45	12
200250 <sup>1)</sup>	45	200	200	160	590	280	400	100	22	200	150	500	400	M20	M12	430	180	42	110	45	12

<sup>1)</sup>Transnorm pump sizes, not included in DIN 24255 / EN 733. Flanges drilled according to ANSI 150 on request.

\* Slots suitable for bolts with dimensions indicated. Bolts are not included in the bare shaft pump standard scope of supply.

## Table of Dimensions



All dimensions in mm

Size	BB	Pump dimensions						Foot dimensions						Shaft end							
		DN <sub>2</sub>	DN <sub>1</sub>	a	f	h <sub>1</sub>	h <sub>2</sub>	b	c	m <sub>1</sub>	m <sub>2</sub>	n <sub>1</sub>	n <sub>2</sub>	s <sub>1</sub> *	s <sub>2</sub> *	w	x	d <sub>1</sub>	l	t	u
150500 <sup>1)</sup>	55	150	200	180	670	400	500	100	22	200	150	640	540	M20	M16	489	180	50	115	53.5	14
200315 <sup>1)</sup>	55	200	250	200	670	355	450	100	22	200	150	550	450	M20	M16	489	180	50	115	53.5	14
200400 <sup>1)</sup>	55	200	250	180	670	355	500	100	22	200	150	550	450	M20	M16	489	180	50	115	53.5	14
200500 <sup>1) 3)</sup>	55	200	250	200	670	425	560	100	22	200	150	660	560	M20	M16	489	180	50	115	53.5	14
250300 <sup>1)</sup>	55	250	300	305	655	425	550	120	28	240	190	700	600	M20	M16	474	180	50	115	53.5	14
250315 <sup>1)</sup>	55	250	300	250	670	375	560	120	28	240	190	620	520	M20	M16	489	180	50	115	53.5	14
250400 <sup>1)</sup>	65	250	300	250	720	400	600	120	29	240	190	700	600	M20	M16	508	180	60 <sup>2)</sup>	145	64	18
250500 <sup>1)</sup>	65	250	300	250	720	450	670	120	32	240	190	750	650	M20	M16	508	180	60 <sup>2)</sup>	145	64	18
300400 <sup>1)</sup>	65	300	350	300	720	425	670	120	30	250	190	760	660	M24	M16	508	180	60 <sup>2)</sup>	145	64	18
300500 <sup>1)</sup>	65	300	350	300	720	480	670	140	32	250	190	840	720	M24	M16	508	180	60 <sup>2)</sup>	145	64	18

<sup>1)</sup>Transnorm pump sizes, not included in DIN 24255 / EN 733. Flanges drilled according to ANSI 150 on request.

<sup>2)</sup>For these sizes the clearance corresponds to M6.

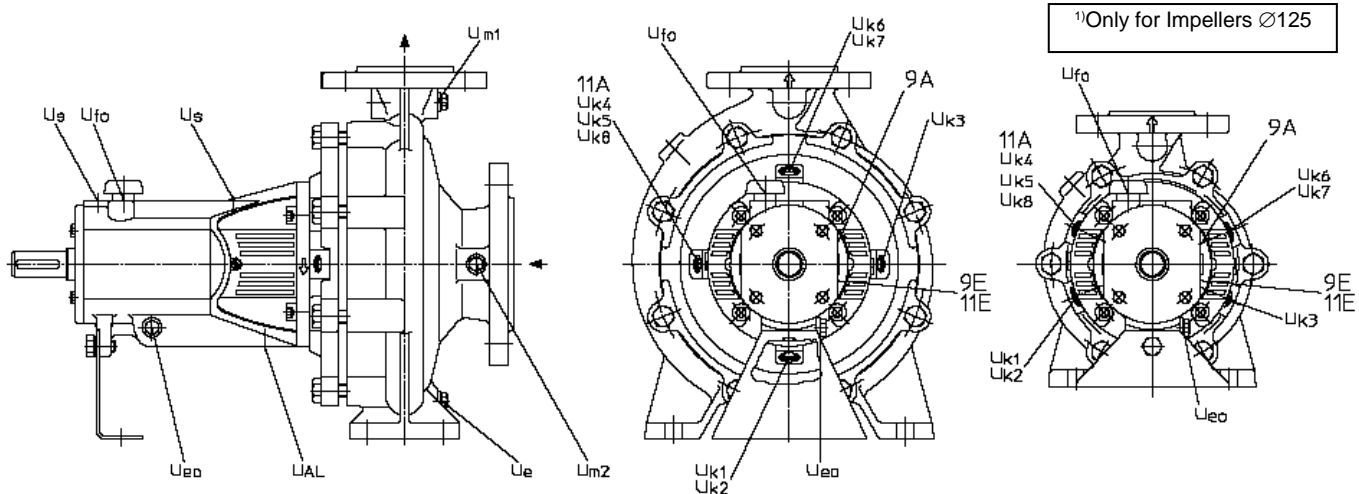
<sup>3)</sup>Discharge flange 12 x threaded drillings/M20 (only for PN 16 flanges).

\* Slots suitable for bolts with dimensions indicated. Bolts are not included in the bare shaft pump standard scope of supply.

Flange connections to DIN 2501 PN 16														DIN 2501 PN 10			
DN <sub>2</sub> /DN <sub>1</sub>	32	40	50	65	80	100	125	150	200	250	300	350	400	100	125	150	200
D	140	150	165	185	200	220	250	285	340	405	460	520	580	220	250	285	340
k	100	110	125	145	160	180	210	240	295	355	410	470	525	180	210	240	295
d <sub>2</sub> x number	18x4	18x4	18x4	18x4	18x8	18x8	18x8	22x8	22x12	26x12	26x12	26x16	30x16	18x8	18x8	22x8	22x8



**Connections for bearing brackets 25, 35 and 45**



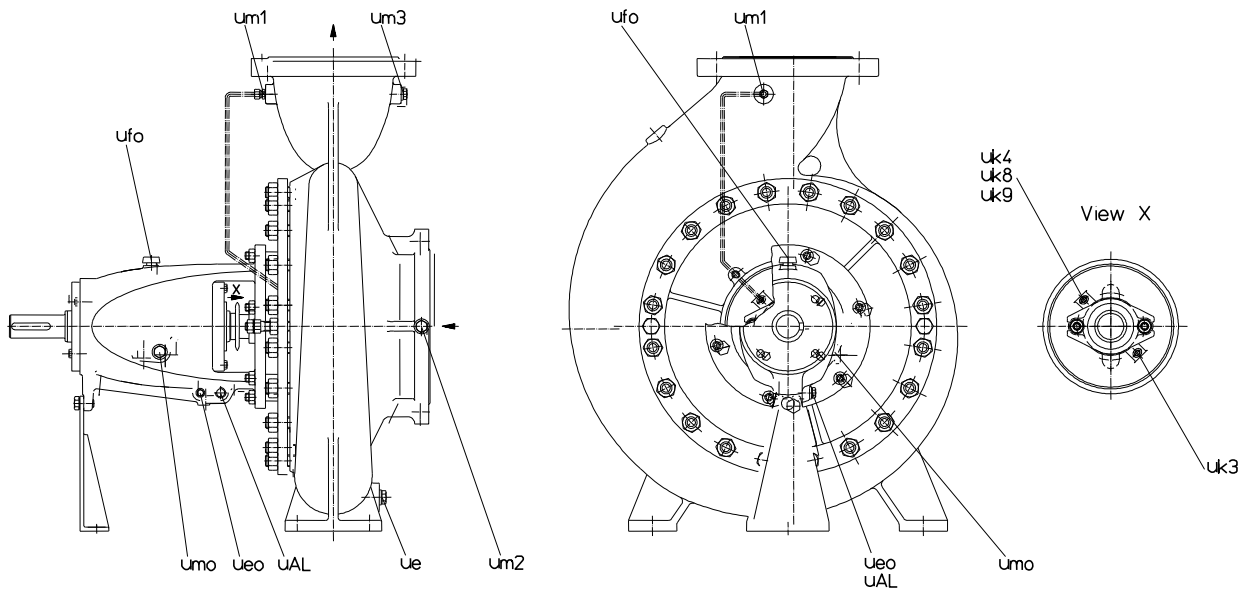
- u<sub>m1</sub> : Pressure gauge. Only available on request
- u<sub>m2</sub> : Pressure gauge. Only available on request
- u<sub>e</sub> : Drainage
- u<sub>eo</sub> : Oil drainage
- u<sub>fo</sub> : Oil filling
- u<sub>AL</sub> : Drainage for leakage. Threaded hole only available on request
- u<sub>s</sub> : Sensor
- 9A : Quench liquid outlet (tandem arrangement)
- 9E : Quench liquid inlet (tandem arrangement)

- u<sub>k1</sub> : Quench Inlet
- u<sub>k2</sub> : Heating Inlet
- u<sub>k3</sub> : 051 Inlet (Stuffing box)
- u<sub>k4</sub> : 052 External sealing (Stuffing box)
- u<sub>k5</sub> : External Flushing
- u<sub>k6</sub> : Quench Outlet
- u<sub>k7</sub> : Heating Outlet
- u<sub>k8</sub> : 051 Outlet (Stuffing box)
- 11A : Sealing liquid outlet (back to back arrangement)
- 11E : Sealing liquid inlet (back to back arrangement)

Size	U <sub>m1</sub>	U <sub>m2</sub>	U <sub>e</sub>	U <sub>eo</sub>	U <sub>fo</sub>	U <sub>AL</sub>	U <sub>s</sub>	U <sub>k1</sub>	U <sub>k2</sub>	U <sub>k3</sub>	U <sub>k4</sub>	U <sub>k5</sub>	U <sub>k6</sub>	U <sub>k7</sub>	U <sub>k8</sub>	9A	9E	11A	11E
32125 <sup>1)</sup>																			
32160																			
32200																			
32250																			
40125 <sup>1)</sup>																			
40160																			
40200			G 1 / 4																
40250																			
40315																			
50125 <sup>1)</sup>																			
50160																			
50200																			
50250																			
50315																			
65125 <sup>1)</sup>																			
65160																			
65200																			
65250																			
65315																			
80160	G 1 / 4																		
80200																			
80250																			
80315			G 3 / 8	G 1 / 4	Ø15.65	Ø13	M 8									G 1/4		G 1/8	G 1/4
80400																			
100160																			
100200																			
100250																			
100315																			
100400																			
125200																			
125250																			
125315																			
125400																			
150200																			
150250																			
150315																			
150400																			
200250																			

Certain construction sizes do not correspond in all details to the drawing.

## Connections for bearing brackets 55 and 65.

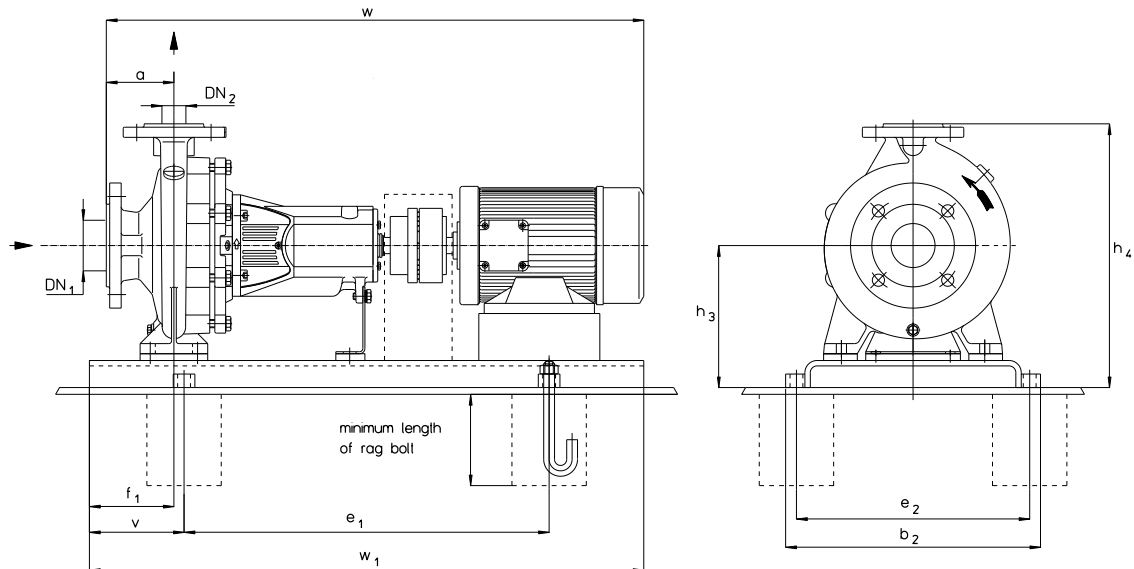


um1 : Self sealing connection  
 um2 : Pressure/vacuum gauge. Only available on request  
 ue : Drainage  
 ueo : Oil drainage  
 ufo : Oil filling  
 uAL : Drainage for leakage

um3 : Pressure gauge connection  
 uk3 : 051 Inlet (Stuffing box)  
 uk4 : 052 External sealing (Stuffing box)  
 uk8 : 051 Outlet (Stuffing box)  
 umo : Oil level control  
 uk9 : 041 inlet (Stuffing box)

Size	U <sub>m1</sub>	U <sub>m2</sub>	U <sub>e</sub>	U <sub>eo</sub>	U <sub>fo</sub>	U <sub>AL</sub>	U <sub>m3</sub>	U <sub>k3</sub>	U <sub>k4</sub>	U <sub>k8</sub>	U <sub>mo</sub>	U <sub>k9</sub>
150500												
200315												
200400												
200500												
250300												
250315	G1/4	G1/2	G1/2	G1/4	Ø20	G1/2	G1/2	G1/4	G1/4	G1/4	G3/4	G1/4
250400												
250500												
300400												
300500												

**Foundation plan, bearing brackets 25, 35 and 45.**



Dimensions in mm

Tolerances for welded parts acc. to DIN 8570 B

n = 1450 rpm

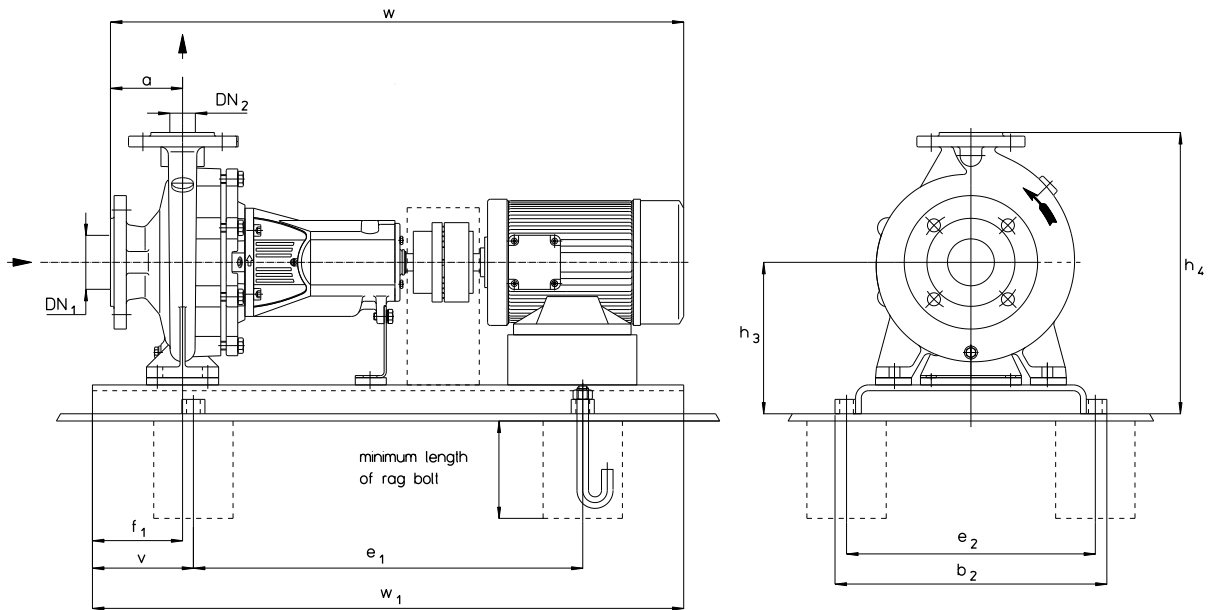
Size	Motor		Base plate No.	Cplg.	Weight kg		DN <sub>2</sub>	DN <sub>1</sub>	a	b <sub>2</sub>	e <sub>1</sub>	e <sub>2</sub>	v	f <sub>1</sub>	h <sub>3</sub>	h <sub>4</sub>	w*	w <sub>1</sub>	Rag bolt
	size	kW			pump	unit													
32-125	71	0.25	S241	B68	31	50	32	50	80	330	480	290	125	60	177	317	683	730	M16x200
	71	0.37			65	197				357	683								
32-160	80	0.55	S301	B68	33	67	32	50	80	390	480	350	125	60	225	405	717	730	M16x200
	80	0.75			68	70				717									
32-200	90S	1.10	S383	B80	34	73	32	50	100	490	600	440	160	75	260	485	737	920	M20x400
	80	0.75			103	106				795									
32-250	90L	1.50	S383	B80	46	109	32	50	100	490	600	440	160	75	260	485	795	920	M20x400
	100L	2.20			119	106				836									
40-125	71	0.37	S241	B68	28	60	40	65	80	330	480	290	125	60	177	317	683	730	M16x200
	80	0.55			62	62				717									
40-160	71	0.37	S301	B68	30	64	40	65	80	390	480	350	125	60	197	357	683	730	M16x200
	80	0.55			66	64				717									
40-200	80	0.75	S301	B68	36	77	40	65	100	390	480	350	125	60	225	405	717	730	M16x200
	80	0.55			69	75				737									
40-250	90S	1.10	S383	B80	46	80	40	65	100	490	600	440	160	75	260	485	795	920	M20x400
	90L	1.50			83	106				795									
40-315	100L	2.20	S383	B80	73	121	40	65	125	490	600	440	160	75	305	555	836	920	M20x400
	100L	3.00			147	121				971									
40-315	112M	4.00	S434	B95	73	155	40	65	125	540	660	490	170	75	305	555	992	1000	M20x400
	132S	5.50			171	155				1068									
50-125	71	0.37	S301	B68	30	62	50	65	100	390	480	350	125	60	197	357	703	730	M16x200
	80	0.55			66	62				737									
50-160	80	0.75	S301	B68	36	75	50	65	100	390	480	350	125	60	225	405	737	730	M16x200
	80	0.55			77	75				737									
50-200	90S	1.10	S301	B68	40	80	50	65	100	390	480	350	125	60	225	425	737	730	M16x200
	80	0.75			81	80				795									
50-200	90L	1.50	S342	B80	40	87	50	65	100	450	540	400	140	75	240	440	836	820	M20x400
	100L	2.20			97	87				795									
50-250	90L	1.50	S383	B80	50	114	50	65	100	490	600	440	160	75	260	485	836	920	M20x400
	100L	2.20			123	125				836									
50-315	112M	4.00	S434	B95	88	131	50	65	125	490	600	440	160	75	305	585	857	920	M20x400
	132S	5.50			171	131				992									
50-315	132M	7.50	S434	B95	88	198	50	65	125	540	660	490	170	75	305	585	1068	1000	M20x400
	132S	5.50			186	171				1094									
65-125	80	0.55	S342	B68	33	80	65	80	100	450	540	400	140	60	240	420	737	820	M20x400
	80	0.75			82	80				737									
65-160	80	0.75	S342	B80	39	88	65	80	100	450	540	400	140	60	240	440	737	820	M20x400
	90L	1.50			95	88				795									
65-160	100L	2.20	S342	B80	39	104	65	80	100	450	540	400	140	60	240	440	836	820	M20x400
	100L	2.20			104	104				836									

Size	Motor		Base plate No.	Cplg.	Weight kg		DN <sub>2</sub>	DN <sub>1</sub>	a	b <sub>2</sub>	e <sub>1</sub>	e <sub>2</sub>	v	f <sub>1</sub>	h <sub>3</sub>	h <sub>4</sub>	w*	Rag bolt size													
	size	kW			pump	unit																									
65-200	90S	1.10	S383	B68	45	105	65	80	100	490	600	440	160	75	260	485	795	920	M20x400												
	90L	1.50				108											795														
	100L	2.20		118		836																									
	100L	3.00		120		836																									
65-250	112M	4.00	S434	B80	70	125	65	80	100	540	660	490	170	90	280	530	857	1000	M24x400												
	100L	2.20				158											946														
	100L	3.00		160		946																									
	112M	4.00		165		967																									
65-315	132S	5.50	S605	B95	92	181	65	80	125	730	740	670	190	90	325	605	1043	1120	M24x400												
	132S	5.50				236											1068														
	132M	7.50		247		1094																									
	160M	11.00		268		1186																									
65-400	160L	15.00	S486	B110	92	288	65	80	125	610	840	550	205	90	300	550	1248	1250	M24x400												
	160L	15.00				288											1248														
	160L	15.00		288		1248																									
	160L	15.00		288		1248																									
80-160	80	0.75	S383	B68	43	100	80	100	490	600	440	160	75	260	485	762	920	M20x400													
	90S	1.10				103										820															
	90L	1.50		106		820																									
	100L	2.20		116		861																									
80-200	100L	3.00	S383	B80	60	118	80	100	490	600	440	160	75	260	510	861	1000	M24x400													
	90L	1.50				125										930															
	100L	2.20		134		971																									
	100L	3.00		136		971																									
80-250	112M	4.00	S434	B95	75	141	80	100	540	660	490	170	90	300	580	992	1120	M24x400													
	112M	4.00				157										1068															
	132S	5.50		197		1094																									
	132M	7.50		202		1094																									
80-315	132S	5.50	S605	B95	95	218	80	125	730	740	670	190	90	350	665	230	1250	M24x400													
	132S	5.50				239										1068															
	132M	7.50		251		1094																									
	160M	11.00		272		1186																									
80-400	160L	15.00	S486	B110	143	291	80	125	610	840	550	205	90	380	735	1247	1250	M24x400													
	160M	11.00				322										1247															
	160L	15.00		340		1247																									
	180M	18.50		361		1371																									
100-160	180L	22.00	S486	B110	143	376	80	125	610	840	550	205	90	380	735	1371	1250	M24x400													
	200L	30.00				424										1429															
	100L	2.20		S434		B80										78			166	100	125	540	660	490	170	90	280	560	971	1000	M20x400
	100L	3.00																	169										971		
112M	4.00	174	992																												
132S	5.50	190	1068																												
100-200	100L	2.20	S434	B80	70	158	100	125	540	660	490	170	90	280	560	971	1000	M20x400													
	100L	3.00				160										971															
	112M	4.00		165		992																									
	132S	5.50		181		1068																									
100-250	132M	7.50	S605	B95	85	193	100	125	730	740	670	190	90	325	605	1094	1120	M24x400													
	112M	4.00				213										1007															
	132S	5.50		228		1083																									
	132M	7.50		240		1109																									
100-315	160M	11.00	S486	B110	104	261	100	140	610	840	550	205	90	350	665	1201	1250	M24x400													
	160M	11.00				281										1201															
	160L	15.00		300		1263																									
	180M	18.50		320		1325																									
100-400	180L	22.00	S606	B110	177	337	100	140	730	840	670	205	110	380	735	1325	1400	M24x400													
	200L	30.00				402										1262															
	225S	37.00		423		1386																									
	225M	45.00		438		1386																									
125-200	200L	30.00	S607	B140	188	486	125	150	730	840	670	205	110	380	735	1444	1400	M24x400													
	225S	37.00				548										1481															
	225M	45.00		569		1481																									
	225S	37.00		548		1481																									
125-250	132M	7.50	S605	B95	102	256	125	150	730	740	670	190	90	350	665	1109	1120	M24x400													
	160M	11.00				277										1201															
	160L	15.00		296		1263																									
	132M	7.50		258		1109																									
125-315	160M	11.00	S486	B110	151	279	125	150	610	840	550	205	110	380	735	1201	1250	M24x400													
	160L	15.00				298										1263															
	160L	15.00		375		1262																									
	180M	18.50		396		1386																									
125-400	180L	22.00	S606	B110	151	411	125	150	730	840	670	205	110	380	735	1386	1400	M24x400													
	200L	30.00				459										1444															
	225S	37.00		520		1481																									
	200L	30.00		498		1444																									
150-200	225M	45.00	S607	B140	188	559	150	200	840	680	170	200	455	855	1679	1481	1800	M16x200													
	225M	45.00				580										1481															
	250M	55.00		793		1604																									
	280S	75.00		1047		1679																									
150-250	132M	7.50	S605	B95	123	295	150	200	730	840	670	205	110	380	780	1129	1250	M24x400													
	160M	11.00				316										1221															
	160L	15.00		335		1283																									
	180M	18.50		355		1345																									
150-400	160L	15.00	S606	B110	128	340	150	200	730	840	670	205	110	380	780	1283	1400	M24x400													
	180M	18.50				360										1345															
	180L	22.00		389		1345																									
	200L	30.00		436		1403																									

Size	Motor		Base plate No.	Cplg.	Weight kg		DN <sub>2</sub>	DN <sub>1</sub>	a	b <sub>2</sub>	e <sub>1</sub>	e <sub>2</sub>	v	f <sub>1</sub>	h <sub>3</sub>	h <sub>4</sub>	w*	W <sub>1</sub>	Rag bolt
	size	kW			pump	unit													
150-315	180L	22.00	S606	B110	170	431	150	200	160	730	840	670	230	110	380	780	1406	1400	M24x400
	200L	30.00		B125		479											1464		
	225S	37.00	S607	B140		540											1501		
	225M	45.00		B160		561											1501		
	250M	55.00				774											1624		
150-400	225M	45.00	S607	B140	205	598	150	200	160	730	940	670	230	110	415	865	1501	1400	M24x400
	250M	55.00		B160		811											1624		
	160L	15.00		B95		471											1342		
200-250	180M	18.50	S607	B110	230	492	200	200	160	730	940	670	230	185	380	780	1466	1400	M24x400
	180L	22.00		B110		507											1466		
	200L	30.00				B125											555		

\* Motor protection type IP 55, dimensions depend on the motor manufacturer.  
Dimension listed are taken from the SIEMENS catalogue.

# Foundation plan, bearing brackets 25,35 and 45



Dimensions in mm

Tolerances for welded parts acc. to DIN 8570 B

n = 2900 rpm

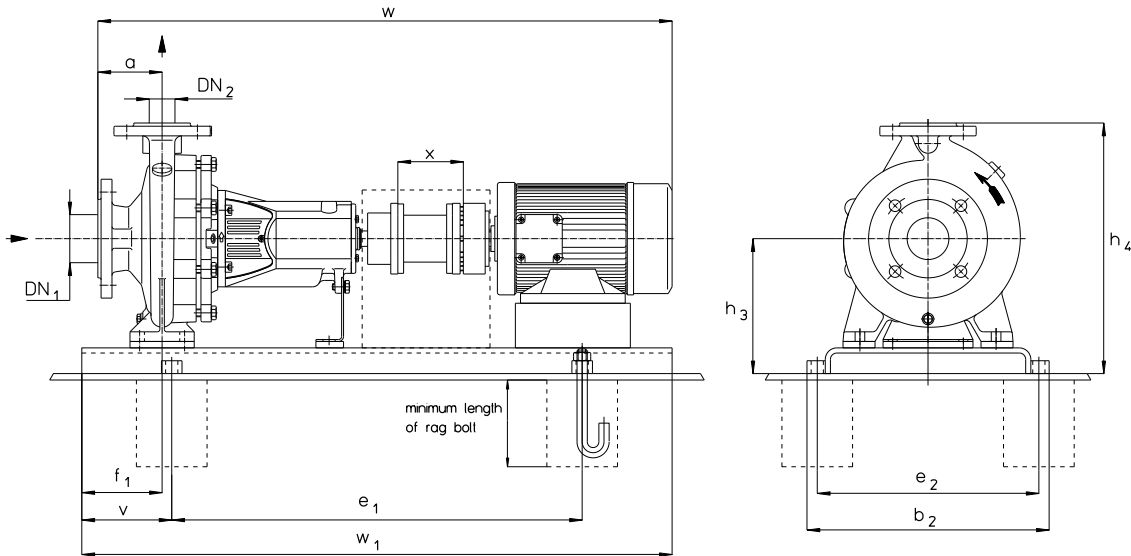
Size	Motor		Base plate No.	Cplg.	Weight kg		DN <sub>2</sub>	DN <sub>1</sub>	a	b <sub>2</sub>	e <sub>1</sub>	e <sub>2</sub>	v	f <sub>1</sub>	h <sub>3</sub>	h <sub>4</sub>	w*	w <sub>1</sub>	Rag bolt	
	size	kW			pump	unit														
32-125	71	0.55	S241	B68	31	51	32	50	80	330	480	290	125	60	177	317	683	730	M16x200	
	80	0.75															52			717
	80	1.10															54			717
	90S	1.50															57			775
	90L	2.20															74			775
32-160	90S	1.50	S301	B80	33	72	32	50	80	360	540	320	140	60	197	357	775	820	M16x200	
	90L	2.20	80														775			
	100L	3.00	S272														89			816
	112M	4.00	96														837			
32-200	90L	2.20	S301	B68	34	81	32	50	80	390	480	350	125	60	225	405	775	730	M16x200	
	100L	3.00	S272	B80													90			816
	112M	4.00	97	837																
	132S	5.50	S303	128													913			
	132S	7.50	138	913																
32-250	132S	7.50	S383	B95	46	151	32	50	100	490	600	440	160	75	260	485	933	1000	M20x400	
	160M	11.00	S434														171			1051
	160M	15.00	184														1051			
40-125	80	1.10	S241	B68	28	64	40	65	80	330	480	290	125	60	177	317	717	730	M16x200	
	90S	1.50															67			775
	90L	2.20															71			775
	100L	3.00															80			816
40-160	90S	1.50	S301	B68	30	69	40	65	80	360	540	320	140	60	197	357	775	820	M16x200	
	90L	2.20	77	775																
	100L	3.00	S272	B80													79			816
	112M	4.00	93	837																
	132S	5.50	S303	B95													115			913
40-200	100L	3.00	S342	B80	36	92	40	65	100	450	540	400	140	60	240	420	836	820	M20x400	
	112M	4.00	99	857																
	132S	5.50	S303	B95													122			933
	132S	7.50	133														933			
	160M	11.00	S383														162			1051
40-250	132S	7.50	S383	B95	46	151	40	65	100	490	600	440	160	75	240	420	933	920	M20x400	
	160M	11.00															171			1051
	160M	15.00															184			1051
50-125	90S	1.50	S301	B68	30	69	50	65	100	390	480	350	125	60	197	357	795	730	M16x200	
	90L	2.20	77	795																
	132S	5.50	S303	B95													116			933
50-160	90L	2.20	S301	B68	36	83	50	65	100	450	540	400	140	60	225	405	795	730	M16x200	
	100L	3.00	S342	B80													92			836
	112M	4.00	99	857																
	132S	5.50	S303	B95													122			933
	132S	7.50	133														933			
	160M	11.00	S383														162			1050

\* Motor protection type IP 55, dimensions depend on the motor manufacturer. Dimensions listed are taken the SIEMENS catalogue.

Size	Motor		Base plate No.	Cplg.	Weight kg		DN <sub>2</sub>	DN <sub>1</sub>	a	b <sub>2</sub>	e <sub>1</sub>	e <sub>2</sub>	v	f <sub>1</sub>	h <sub>3</sub>	h <sub>4</sub>	W*	W <sub>1</sub>	Rag bolt																	
	size	kW			pump	unit																														
50-200	100L	3.00	S342	B80	40	96	50	65	100	450	540	400	140	60	240	440	836	920	M20x400																	
	112M	4.00	S303	B95		103											857																			
	132S	5.50				126											933																			
	132S	7.50				136											933																			
	160M	11.00	S383	167		1051																														
160M	15.00	S434	B95	180	1051																															
160M	15.00			188	1000																															
50-250	160L	18.50	S605	B110	50	228	75	100	540	660	490	170	75	260	485	1113	1100	M24x400																		
	180M	22.00				243										1175																				
	200L	30.00	B125	303		1233																														
	200L	30.00	S342	B80		33										98			65	80	100	450	540	400	140	60	240	420	836	920	M20x400					
112M	4.00	104			857																															
65-125	132S	5.50	S383	B95	39	119	75	100	490	600	440	160	60	240	440	933	1000	M20x400																		
	132S	7.50				130										933																				
	132S	5.50				125										933																				
65-160	132S	7.50	S434	B95	45	136	75	100	540	660	490	170	75	260	485	1051	1100	M20x400																		
	160M	11.00				165										1051																				
	160M	15.00				179										1051																				
65-200	160M	11.00	S605	B110	45	170	75	100	540	660	490	170	75	260	485	1051	1100	M24x400																		
	160M	15.00				183										1051																				
	160L	18.50	222	1113																																
	180M	22.00	B125	238		1175																														
65-250	200L	30.00	S435	B95	70	298	90	100	540	740	670	190	90	280	505	1233	1120	M24x400																		
	160L	18.50				254										1223																				
	180M	22.00	290	1285																																
	200L	30.00	397	1343																																
	200L	37.00	S607	332		1343																														
80-160	225M	45.00	S383	B95	43	357	75	100	490	600	440	160	60	260	485	1373	1140	M20x400																		
	132S	7.50				148										958																				
	160M	11.00	167	1076																																
	160M	15.00	181	1076																																
80-200	160L	18.50	S434	B95	60	220	90	100	540	660	490	170	75	280	530	1138	1120	M24x400																		
	180M	22.00				235										1186																				
	160M	15.00	B110	244		1248																														
	160L	18.50	B125	259		1310																														
80-250	200L	30.00	S605	B95	75	314	90	100	730	740	670	190	90	300	580	338	1250	M24x400																		
	200L	37.00				338										1368																				
	180M	22.00	B110	293		1310																														
	200L	30.00	B125	348		1368																														
	200L	37.00	S486	372		1368																														
100-160	225M	45.00	S607	B140	85	402	90	100	730	940	670	230	90	325	605	1398	1400	M24x400																		
	250M	55.00				651										1528																				
	160L	18.50	S435	B95		78										263			125	125	540	740	490	200	90	280	580	1248	1140	M20x400						
	180M	22.00	S486	B110		78										278												610			840	550	205	300	580	1310
	200L	30.00														B125																				341
200L	37.00	365	1368																																	
100-200	160L	18.50	S435	B95	70	254	90	125	540	740	490	200	90	280	560	1248	1140	M20x400																		
	180M	22.00	S486	B110		70										269			610	840	550	205	300	580	1310											
	200L	30.00														B125									332	1368										
	200L	37.00	357	1368																																
	225M	45.00	S607	B125		397										1398																				
100-250	200L	30.00	S486	B140	85	358	90	140	610	840	550	205	90	325	605	1383	1250	M24x400																		
	200L	37.00	S607			B140										85			382	730	940	670	230	350	630	1413										
	225M	45.00																	413							1413										
	250M	55.00	S609A			B160										661			1543																	
	280S	75.00	S609A			B160										827			1643																	
280M	90.00	869		1643																																
125-200	250M	55.00	S607	B140	100	677	90	140	730	940	670	230	90	350	665	1543	1400	M24x400																		
	280S	75.00	S609A	B160		842										1643																				
	280M	90.00				884										1643																				

\* Motor protection type IP 55, dimensions depend on the motor manufacturer. Dimensions listed are taken from the SIEMENS catalogue.

Foundation plan for units with spacer type coupling, bearing brackets 25, 35 and 45



Dimensions in mm

Tolerances for welded parts acc. to DIN 8570B

$n = 1450 \text{ rpm}$

Size	Motor		Base plate No.	Cplg.	Weight kg		DN <sub>2</sub>	DN <sub>1</sub>	a	b <sub>2</sub>	e <sub>1</sub>	e <sub>2</sub>	v	f <sub>1</sub>	h <sub>3</sub>	h <sub>4</sub>	x	w*	w <sub>1</sub>	Rag bolt															
	size	kW			pump	unit																													
32-125	71	0.37	S272	H80	31	69	32	50	80	360	540	320	140	60	177	317	100	823	820	M16x200															
	71	0.37			33	71									197	357		823																	
32-160	80	0.55			34	74									225	405		857																	
	80	0.75			34	76									210	390		857																	
32-200	90S	1.10			S015	H80									34	79		32			50	80	360	540	320	140	60	210	390	100	915	920	M12x100		
	80	0.75													34	105												210	390		877				
32-250	90S	1.10	S383	H80	46	108	40	65	100	490	600	440	160	75	260	485	100	935	920	M20x400															
	90L	1.50			46	112									260	485		935																	
100L	2.20	46			120	260									485	976																			
100L	2.20	46			120	260									485	976																			
40-125	71	0.37	S272	H80	28	66	40	65	80	360	540	320	140	60	177	317	100	823	820	M20x200															
	71	0.37			28	68									177	317		823																	
40-160	80	0.55			28	68									177	317		823																	
	80	0.75			28	70									177	317		823																	
40-200	90S	1.10			S015	H80									30	72		40			65	80	360	540	320	140	60	182	342	100	915	920	M12x100		
	80	0.55													30	75												182	342		915				
40-250	90L	1.50	S342	H80	30	72	40	65	80	360	540	320	140	60	240	420	100	877	820	M20x200															
	80	0.75			30	85									240	420		877																	
40-315	90S	1.10	S303	H80	36	89	40	65	100	390	600	350	160	75	225	405	100	935	920	M16x200															
	90L	1.50			36	93									225	405		935																	
40-250	90S	1.10	S383	H80	46	108	40	65	100	490	600	440	160	75	260	485	100	935	920	M20x400															
	90L	1.50			46	112									260	485		935																	
40-315	100L	2.20	S605	H95	73	163	40	65	125	730	740	670	190	75	325	575	100	1111	1120	M24x400															
	100L	3.00			73	165									325	575		1111																	
112M	4.00	73			170	325									575	1132																			
132S	5.50	73			186	325									575	1208																			
50-125	71	0.37	S272	H80	30	68	50	65	100	360	540	320	140	60	197	357	100	843	820	M16x200															
	80	0.55			30	70									197	357		843																	
50-160	80	0.75			30	72									197	357		843																	
	80	0.55			30	77									197	357		843																	
50-200	90S	1.10			S342	H80									36	79		50			65	100	390	600	350	160	60	225	405	100	935	920	M16x200		
	80	0.75													36	82												225	405		935				
50-250	90L	1.50	S303	H80	40	91	50	65	100	450	540	400	140	60	240	440	100	877	820	M20x400															
	90L	1.50			40	94									240	440		877																	
50-250	100L	2.20	S303	H80	40	97	50	65	100	390	600	350	160	75	225	425	100	935	920	M16x200															
	100L	2.20			40	106									225	425		935																	
100L	3.00	40			116	225									425	976																			
112M	4.00	40			125	225									425	976																			
50-315	112M	4.00	S605	H95	50	125	50	65	125	730	740	670	190	75	260	485	100	935	1120	M20x400															
	100L	3.00			50	127									260	485		935																	
112M	4.00	50			132	260									485	976																			
132S	5.50	50			132	260									485	997																			
50-315	132S	5.50	S605	H80	88	201	50	65	125	730	740	670	190	75	325	605	100	1132	1120	M24x400															
	132M	7.50			88	226									325	605		1234																	
65-125	80	0.55	S342	H80	33	83	65	80	100	450	540	400	140	60	240	440	100	877	820	M20x400															
	80	0.75			33	84												877																	
65-160	90L	1.50			33	84												877																	
	100L	2.20			33	90												877																	
65-160	90L	1.50			S383	H80												39			97	65	80	100	490	600	440	160	60	240	440	100	935	920	M20x400
	100L	2.20																39			115												935		

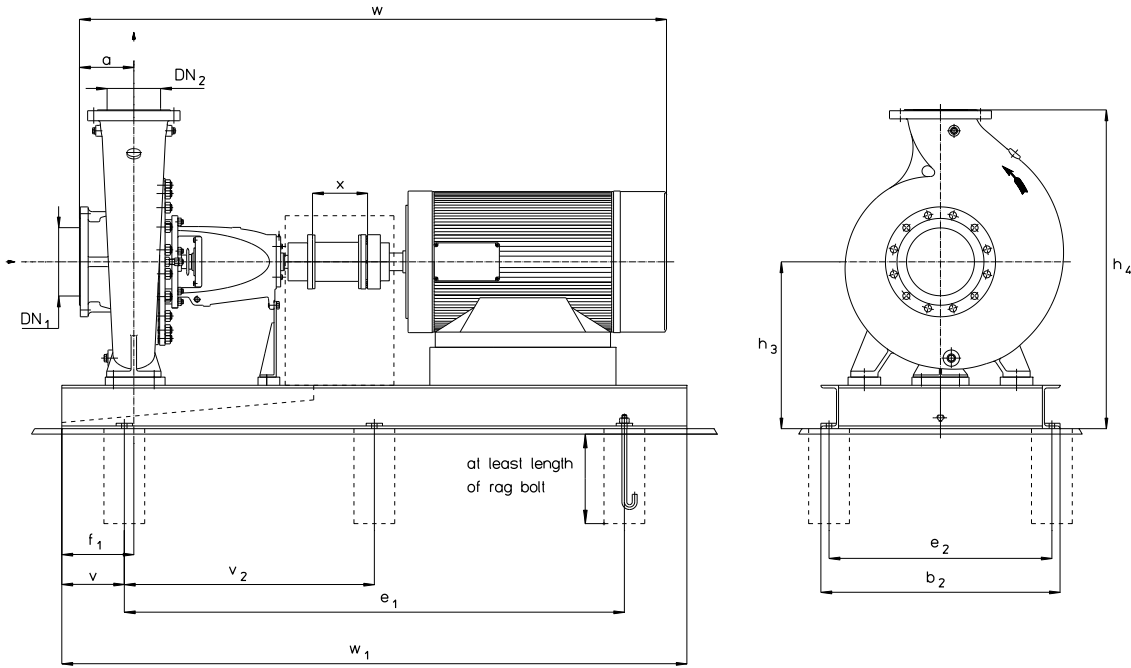


Size	Motor		Base plate No.	Cplg.	Weight kg		DN <sub>2</sub>	DN <sub>1</sub>	a	b <sub>2</sub>	e <sub>1</sub>	e <sub>2</sub>	v	f <sub>1</sub>	h <sub>3</sub>	h <sub>4</sub>	x	w*	w <sub>1</sub>	Rag bolt
	size	kW			pump	unit														
65-200	90S	1.10	S383	H80	45	107	65	80	100	490	600	440	160	75	260	485	140	935	920	M20x400
	90L	1.50				111												935		
	100L	2.20				119												976		
	100L	3.00				121												976		
	112M	4.00				127												997		
65-250	100L	2.20	S605	H80	70	159	65	80	100	730	740	670	190	90	300	550	140	1086	1120	M24x400
	100L	3.00				161												1086		
	112M	4.00				167												1007		
	132S	5.50				196												1183		
65-315	132S	5.50	S435	H95	92	237	65	80	100	610	840	550	205	90	325	605	140	1208	1250	M24x400
	132M	7.50				249												1234		
	160M	11.00				270												1326		
	160L	15.00				290												1388		
80-160	80	0.75	S383	H80	43	102	80	100	100	490	600	440	160	75	260	485	140	902	920	M20x400
	90S	1.10				105												960		
	90L	1.50				108												960		
	100L	2.20				117												1001		
	100L	3.00				119												1001		
80-200	90L	1.50	S434	H80	60	126	80	100	100	540	660	490	170	75	280	530	140	1070	1000	M24x400
	100L	2.20				149												1111		
	100L	3.00				151												1132		
	112M	4.00				156												1208		
80-250	132S	5.50	S605	H95	75	172	80	100	100	730	740	670	190	90	300	580	140	1111	1250	M24x400
	100L	3.00				198												1208		
	112M	4.00				203												1132		
	132S	5.50				219												1208		
80-315	132M	7.50	S486	H95	95	231	80	125	125	610	840	550	205	90	350	665	140	1208	1250	M24x400
	132M	7.50				240												1234		
	160M	11.00				252												1208		
	160L	15.00				273												1234		
80-400	160M	11.00	S607	H110	143	293	80	125	125	730	940	670	230	90	380	735	140	1388	1400	M24x400
	160L	15.00				324												1383		
	180M	18.50				381												1383		
	180M	18.50				403												1507		
	200L	30.00				418												1507		
100-160	100L	2.20	S605	H80	78	168	100	125	125	730	740	670	190	90	300	580	140	1111	1120	M24x400
	100L	3.00				170												1111		
	112M	4.00				175												1132		
	132S	5.50				204												1208		
	100L	2.20				159												1111		
	100L	3.00				161												1111		
	112M	4.00				167												1132		
	132S	5.50				196												1208		
	132M	7.50				217												1234		
	132M	7.50				207												1234		
100-200	112M	4.00	S486	H80	70	214	100	125	125	730	740	670	190	90	300	580	140	1147	1120	M24x400
	132S	5.50				230												1223		
	132M	7.50				241												1249		
	160M	11.00				262												1341		
100-250	160M	11.00	S605	H95	85	282	100	125	125	610	840	550	205	90	325	605	140	1341	1250	M24x400
	160L	15.00				302												1403		
	180M	18.50				322												1465		
	180L	22.00				339												1465		
100-315	160L	15.00	S607	H110	104	417	100	125	140	730	940	670	230	110	380	735	140	1398	1400	M24x400
	180M	18.50				439												1522		
	180L	22.00				454												1522		
	200L	30.00				502												1580		
	225S	37.00				553												1617		
	225M	45.00				574												1617		
100-400	160L	15.00	S608	H140	177	574	100	125	140	730	940	670	230	110	380	735	140	1617	1600	M24x400
	180M	18.50				439												1522		
	180L	22.00				454												1522		
	200L	30.00				502												1580		
125-200	225S	37.00	S608	H140	188	574	100	125	150	730	940	670	230	110	380	735	140	1617	1600	M24x400
	225M	45.00				574												1617		
	250M	55.00				817												1740		
	280S	75.00				1054												1815		
	132M	7.50				257												1249		
	160M	11.00				278												1341		
	160L	15.00				298												1403		
	132M	7.50				259												1249		
	160M	11.00				280												1341		
	160L	15.00				300												1403		
125-250	160L	15.00	S607	H95	102	390	125	150	140	730	940	670	230	110	380	735	140	1398	1400	M24x400
	180M	18.50				412												1522		
	180L	22.00				426												1522		
	200L	30.00				475												1580		
125-315	225S	37.00	S608	H140	151	526	125	150	140	730	940	670	230	110	380	735	140	1617	1600	M24x400
	225S	37.00				526												1617		
	200L	30.00				514												1580		
	225S	37.00				553												1617		
125-400	200L	30.00	S607	H125	188	514	125	150	140	730	940	670	230	110	380	735	140	1617	1600	M24x400
	225S	37.00				564												1617		
	225M	45.00				585												1740		
	250M	55.00				817												1815		
150-200	280S	75.00	S608	H180	188	1054	150	200	160	730	840	670	205	110	380	780	140	1815	1800	M16x200
	132M	7.50				296												1269		
	160M	11.00				329												1361		
	160L	15.00				348												1423		
150-200	160L	15.00	S607	H110	123	368	150	200	160	730	840	670	230	110	380	780	140	1485	1400	M24x400
	180M	18.50				368												1485		

Size	Motor		Base plate No.	Cplg.	Weight kg		DN <sub>2</sub>	DN <sub>1</sub>	a	b <sub>2</sub>	e <sub>1</sub>	e <sub>2</sub>	v	f <sub>1</sub>	h <sub>3</sub>	h <sub>4</sub>	x	w*	w <sub>1</sub>	Rag bolt
	size	kW			pump	unit														
150-250	160L	15.00	S607	H110	128	354	150	200	160	730	940	670	230	110	380	780	140	1423	1400	M24x400
	180M	18.50				374												1485		
	180L	22.00				391												1485		
	200L	30.00				454												1543		
150-315	180L	22.00	S608	H110	170	446	160	730	1060	670	270	110	380	780	140	1542	1600	1600	M24x400	
	200L	30.00				495										1600				
	225S	37.00				546										1637				
	225M	45.00				567										1637				
	250M	55.00				798										1760				
150-400	225M	45.00	S608	H140	205	603	160	730	1060	670	270	110	380	780	140	1637	1600	1600	M24x400	
	250M	55.00				835										1760				
	160L	15.00				492										1518				
200-250	160L	15.00	S608	H110	230	492	200	200	160	730	940	670	230	110	380	780	140	1518	1600	M24x400
	180M	18.50				512												1642		
	180L	22.00				527												1642		
	200L	30.00				576												1700		

\* Motor protection type IP 55, dimensions depend on the motor manufacturer.  
Dimensions listed are taken from the SIEMENS catalogue.

**Foundation plan for units with spacer type coupling, bearing brackets 55 and 65**



Dimensions in mm

Tolerances for welded parts acc. to DIN 8570 B

n = 1450 rpm

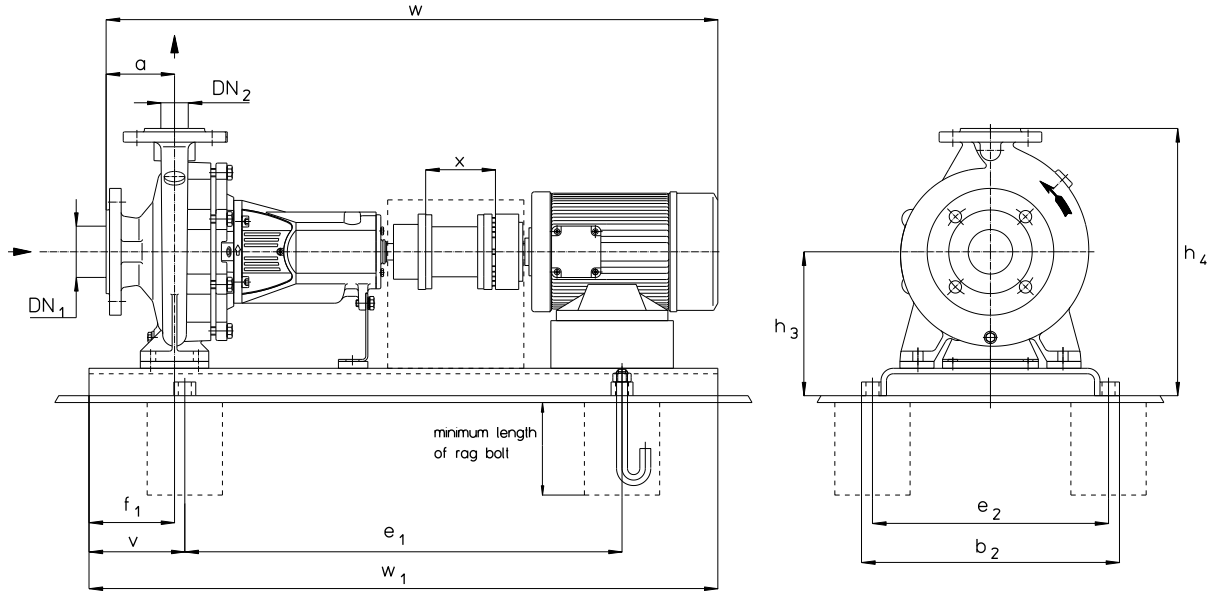
Size	Motor		Base plate dimension	Cplg.	Weight kg		DN <sub>2</sub>	DN <sub>1</sub>	a	b <sub>2</sub>	v	e <sub>1</sub>	e <sub>2</sub>	v <sub>2</sub>	f <sub>1</sub>	h <sub>3</sub>	h <sub>4</sub>	x	w*	w <sub>1</sub>	Rag bolt																				
	size	kW			pump	unit																																			
150400 <sup>(1)</sup>	280S	75.0	194x73x14	H180	205	1072																																			
	280M	90.0																				1125																			
150-500	250M	55.0	208x82x14	H160	335	1143	150	200	160	730	190	1560	680	780	200	485	935	140				M16x200																			
	280S	75.0	215x82x14	H180																			335	1143																	
	280M	90.0																																							1193
	315S	110	230x83x16	H200																			335	1406																	
	315M	132																																							1486
200-315	200L	30.0	194x73x14	H125	310	715			200	730	190	1560	680	780									M16x200																		
	225S	37.0	198x73x14	H140																				310	780																
	225M	45.0																																							
	250M	55.0	210x73x14	H160																				310	921																
	280S	75.0	217x74x14	H180																																					
200-400	225M	45.0	198x73x14	H140	340	840			200	730	190	1600	680	780									M16x200																		
	250M	55.0	210x73x14	H160																				340	951																
	280S	75.0																																							1132
	280M	90.0	217x74x14	H180																				340	1182																
	315S	110																																							
315M	132	230x82x16	H200	1489																																					
200-500	280S	75.0	217x84x14	H180	395	1212			200	840	210	1750	790	875									M16 x200																		
	280M	90.0																						1262																	
	315S	110	1474																																						
	315M	132	1554																																						
	315L	160	1709																																						
315L	200	1849																																							
250-300	225S	37	207x88x14	H140	416	898			250	305	880	210	1650	830	825	365	595	1145					M16x200																		
	225M	45																						928																	
	250M	55	219x88x14	H160																				1044																	
	280S	75	226x88x14	H180																				1225																	
250-315	225M	45	203x80x14	H140	424	936			250	800	210	1610	750	805	310	545	1105						M16x200																		
	250M	55	215x80x14	H160																				1052																	
	280S	75	222x80x14	H180																				1233																	
	280M	90																						1283																	
	315S	110	237x82x16	H200																				1496																	

\* Motor protection type IP 55, dimensions depend on the motor manufacturer.  
 Dimensions listed are taken from the SIEMENS, WEG, LEROY SOMER and ABB catalogues.  
 (1) Size 150400: bearing bracket 45.

Size	Motor		Base plate dimension	Cplg.	Weight kg		DN <sub>2</sub>	DN <sub>1</sub>	a	b <sub>2</sub>	v	e <sub>1</sub>	e <sub>2</sub>	v <sub>2</sub>	f <sub>1</sub>	h <sub>3</sub>	h <sub>4</sub>	x	w*	w <sub>1</sub>	Rag bolt										
	size	kW			pump	unit																									
250-400	225M	45	208x88x14	H140	464	991	250	300	250	880	210	1660	830	310	570	1170	180	1957	2080	2200	M16x200										
	250M	55	220x88x14	H160		1103					230	1740										870									
	280S	75	227x88x14	H180		1284					230	1810										905	2155								
	280M	90				1334					230													2155							
	315S	110				1552					250																				
	315M	132	256x89x16	H200		1632					890	2060										1030	1030	315	590	1190	180	2290	2560	M18x200	
	315L	160				1787																									250
315S	110	1703			250																										
250-500	315M	132	256x94x16	H200	589	1780	300	350	300	940	2060	880	1030	315	640	1310	180	2290	2560	M18x200											
	315L	160																			1933	250									
	315L	200																			2068	250									
	315	250																			**	**	**	**	**	**	**	**	**	**	**
	315	315	**	**	**	**	**	**	**	**	**	**	**	**	**	**	**	**	**	**											
300-400	280M	90	232x94x14	H180	620	1515	300	350	300	940	230	1860	890	1035	365	615	1285	180	2205	2320	M16x200										
	315S	110	261x95x16	H200		1733					950	2070										970	930	360	595	1265	180	2340	2610	M18x200	
	315M	132				1810																									270
	315L	160				1968																									270
	315L	200				2103																									270
315L	200	261x103x16	H200	800	2313	1030	270	970	670	1340	2480																				
300-500	315	250	**	**	**	**	**	**	**	**	**	**	**	**	**	**	**	**	**	**											
	315	315	**	**	**	**	**	**	**	**	**	**	**	**	**	**	**	**	**	**											
	355	355	**	**	**	**	**	**	**	**	**	**	**	**	**	**	**	**	**	**											
	355	400	**	**	**	**	**	**	**	**	**	**	**	**	**	**	**	**	**	**											
	355	500	**	**	**	**	**	**	**	**	**	**	**	**	**	**	**	**	**	**											

\* Motor protection type IP 55, dimensions depend on the motor manufacturer.  
Dimensions listed are taken from the SIEMENS, WEG, LEROY SOMER and ABB catalogues.  
\*\* On request.

**Foundation plan for units with spacer type coupling, bearing brackets 25, 35 and 45**



Dimensions in mm

Tolerances for welded parts acc. to DIN 8570 B

n = 2900 rpm

Size	Motor		Base plate No.	Cplg.	Weight kg		DN <sub>2</sub>	DN <sub>1</sub>	a	b <sub>2</sub>	e <sub>1</sub>	e <sub>2</sub>	v	f <sub>1</sub>	h <sub>3</sub>	h <sub>4</sub>	x	w*	w <sub>1</sub>	Rag bolt	
	size	kW			pump	unit															
32-125	71	0.55	S272	H80	31	70	32	50	80	360	540	320	140	60	177	317	100	823	820	M16x200	
	80	0.75				71												857			
	80	1.10				73												857			
	90S	1.50				76												915			
	90L	2.20				79												915			
32-160	90S	1.50	S385	H80	33	81	32	50	80	490	740	440	200	60	212	372	100	915	1140	M20x400	
	90L	2.20				81												915			
	100L	3.00				89												956			
32-200	112M	4.00	S385	H80	34	96	32	50	80	490	740	440	200	60	240	420	100	977	1140	M20x400	
	90L	2.20				82												915			
	100L	3.00				90												956			
	112M	4.00				97												977			
	132S	5.50				121												1053			
32-250	132S	7.50	S385	H95	46	131	32	50	100	490	740	440	200	75	260	485	100	1053	1140	M20x400	
	132S	7.50				131												1073			
	160M	11.0				152												1191			
40-125	160M	15.0	S385	H80	28	177	32	50	80	490	740	440	200	60	260	485	100	1191	1140	M20x400	
	80	1.10				70												857			
40-160	90S	1.50	S605	H80	30	73	40	65	80	730	740	670	190	60	212	352	100	915	1120	M24x400	
	90L	2.20				76												915			
	100L	3.00				84												956			
40-200	90S	1.50	S385	H80	30	75	40	65	80	730	740	670	190	60	212	372	100	915	1140	M20x400	
	90L	2.20				78												915			
	100L	3.00				86												956			
	112M	4.00				93												977			
	132S	5.50				116												1053			
40-250	100L	3.00	S605	H80	36	101	40	65	100	730	740	670	190	60	232	392	100	1053	1120	M24x400	
	112M	4.00				106												977			
	132S	5.50				123												1073			
	132S	7.50				133												1073			
	160M	11.00				164												1191			
40-250	132S	7.50	S385	H95	46	152	40	65	100	490	740	440	200	75	280	505	100	1073	1140	M20x400	
	160M	11.00				193												1191			
	160M	15.00				207												1191			
	160L	18.50				225												1253			
	160L	18.50				225												1253			
50-125	90S	1.50	S015	H80	30	75	50	65	100	361	600	325	160	60	182	342	100	935	920	M12x100	
	90L	2.20				78												935			
	132S	5.50				116												1073			
50-160	90L	2.20	S434	H95	36	93	50	65	100	390	600	350	160	60	225	405	100	935	920	M14x200	
	100L	3.00				101												976			
	112M	4.00				108												997			
	50-160	132S	5.50	S303	H80	36	123	50	65	100	490	740	440	200	60	240	420	100	1073	1140	M20x400
		132S	7.50				133												1073		
		132S	7.50				133												1073		
		160M	11.00				164												1191		
50-160	160M	11.00	S605	H95	46	164	50	65	100	730	740	670	190	60	260	440	100	1191	1120	M24x400	
	160M	11.00				164												1191			
	160L	18.50				225												1253			

\* Motor protection type IP 55, dimensions depend on the motor manufacturer. Dimensions listed are taken from the SIEMENS catalogue.

Size	Motor		Base plate No.	Cplg.	Weight kg		DN <sub>2</sub>	DN <sub>1</sub>	a	b <sub>2</sub>	e <sub>1</sub>	e <sub>2</sub>	v	f <sub>1</sub>	h <sub>3</sub>	h <sub>4</sub>	x	w*	W <sub>1</sub>	Rag bolt		
	size	kW			pump	unit																
50-200	100L	3.00	S303	H80	40	105	50	65	100	390	600	350	160	60	225	425	100	976	920	M16 x200		
	112M	4.00				112												997	1000		M20 x400	
	132S	5.50	S434	H95		127												1073				
	132S	7.50				137												1073				
	160M	11.00	168	1191																		
160M	15.00	S605	H95	182	1191	1120	M24x400															
160M	15.00			211	1191																	
50-250	160L	18.50	S385	H110	50	229	65	80	100	490	840	550	200	75	280	505	140	1253	1140	M20x400		
	180M	22.00	S486			250												1315	1250	M24 x400		
	200L	30.00	H125			281												1373				
	200L	30.00				281												1373				
65-125	100L	3.00	S383	H80	33	108	65	80	100	490	600	440	160	60	240	660	100	976	920	M20x400		
	112M	4.00	S385			115												997	1140			
	132S	5.50	S434			H95												130	1073			
	132S	7.50																141	1073			
65-160	132S	5.50	S605	H95	39	136	65	80	100	540	660	490	170	60	240	440	100	1073	1000	M24 x400		
	132S	7.50				147												1073				
	160M	11.00				167												1191				
	160M	15.00				180												1191				
65-200	160M	11.00	S385	H110	45	192	65	80	100	730	740	670	190	75	280	505	140	1191	1120	M24 x400		
	160M	15.00				206												1191				
	160L	18.50				224												1253	1140		M20x400	
	180M	22.00				S486												240	1315		1250	M24 x400
	200L	30.00				H125												300	1373			
65-250	160L	18.50	S607	H95	70	264	65	80	100	730	940	670	230	90	300	550	140	1363	1400	M24x400		
	180M	22.00				H110												280	1425			
	200L	30.00				389												1483				
	200L	37.00				H125												335	1483			
	225M	45.00				S608												414	1513		1600	
80-160	132S	7.50	S605	H95	43	149	80	100	125	730	740	670	190	75	280	505	140	1098	1120	M24x400		
	160M	11.00				190												1216				
	160M	15.00				204												1216	1140	M20 x400		
	160L	18.50				222												1278				
	180M	22.00				H110												237	1340			
80-200	160M	15.00	S486	H95	60	227	80	100	125	610	840	550	205	75	280	530	140	1326	1250	M24x400		
	160L	18.50				253												1388				
	180M	22.00				S436												H110	269	1450	1270	M20x400
	200L	30.00				H125												324	1508			
	200L	37.00				S607												H110	348	1508		
180M	22.00	H125	295	1450	1400		M24x400															
80-250	200L	30.00	S608	H125	75	350	80	100	125	730	940	670	230	90	300	580	140	1508	1400	M24x400		
	200L	37.00				374												1508				
	225M	45.00				H125												450	1538		1600	
	250M	55.00				H140												655	1668			
	250M	55.00				655												1668				
100-160	160L	18.50	S607	H95	78	272	100	125	125	730	940	670	230	90	300	580	140	1388	1400	M24x400		
	180M	22.00				H110												288	1450			
	200L	30.00				H125												343	1508			
	200L	37.00				367												1508				
100-200	160L	18.50	S608	H95	70	264	100	125	125	730	940	670	230	90	300	580	140	1388	1400	M24x400		
	180M	22.00				H110												280	1450			
	200L	30.00				H125												335	1508			
	200L	37.00																359	1508			
	225M	45.00				445												1538	1600			
100-250	200L	30.00	S607	H125	85	350	100	125	140	730	940	670	230	90	325	605	140	1523	1400	M24x400		
	200L	37.00				374												1523				
	225M	45.00				S608												461	1553		1600	
	250M	55.00				H140												666	1683			
	280S	75.00				S609A												H160	850		1783	1800
280M	90.00	892	1783																			
125-200	250M	55.00	S608	H140	100	682	125	150	140	730	1060	670	270	90	350	665	140	1683	1600	M24 x400		
	280S	75.00	S609A			H160												865	1783		1800	
	280M	90.00	907			1783																

\* Motor protection type IP 55, dimensions depend on the motor manufacturer.  
Dimensions listed are taken from the SIEMENS catalogue.

Data regarding size - order information

Type	Size	Hydraulic + Bearing	Shaft Seal	Material	Casing Gasket
		<ul style="list-style-type: none"> <li>A• First hydraulic</li> <li>B• Second hydraulic</li> <li>D• Double volute</li> <li>•B Two ball bearings greased for life (2Z)</li> <li>•C Two ball bearings oil lubricated</li> <li>•S One double row angular contact bearing plus one ball bearing, grease lubricated</li> <li>•T One double row ball bearing plus ball bearing, oil lubricated</li> </ul>	041: Self-sealed, uncooled packing rings 052: Uncooled packing rings, external seal liquid B27: Unbalanced bellows mechanical seal, seal face materials WC/Carbon, elastomer EPDM AF3: Balanced mechanical seal, seal face materials SiC/Carbon, elastomer EPDM BJ3: Unbalanced bellows mechanical seal, seal face materials SiC/Carbon, elastomer EPDM C23: Unbalanced bellows mechanical seal, seal face materials SiC/Carbon, elastomer EPDM AFS: Balanced mechanical seal, seal face materials SiC/ SiC, elastomer FPM (Viton) BJS: Unbalanced bellows mechanical seal, seal face materials SiC/ SiC, elastomer FPM (Viton) C2S: Unbalanced bellows mechanical seal, seal face materials SiC/ SiC, elastomer FPM (Viton) AFK: Balanced mechanical seal, seal face materials SiC/carbon, elastomer FPM (Viton) double PTFE (Teflon) wrapped AFJ: Balanced mechanical seal, seal face materials SiC/carbon, elastomer FPM (Viton) BJJ: Unbalanced bellows mechanical seal, seal face materials SiC/Carbon, elastomer FPM (Viton) C2J: Unbalanced bellows mechanical seal, seal face materials SiC/Carbon, elastomer FPM (Viton) AX3,AXS,AXK: AF3,AFS,AFK plus quench AY3,AYS,AYK: AF3,AFS,AFK, plus heating A93,A9S,A9K,A9J: AF3,AFS,AFK,AFJ plus external flushing M1S: Tandem mechanical seal, type GNZ, seal face materials SiC / SiC, elastomer FPM (Viton) N1S: Tandem mechanical seal, type M7N, seal face materials SiC / SiC, elastomer FPM (Viton) NFS: Back to back seal, type M7N, seal face materials SiC / SiC, elastomer FPM (Viton)	0B: Cast iron GG25  0C: Cast iron GG25 Bronze G-CuSn10 impeller  0E: Cast iron GG25 stainless steel 1.4408 impeller  1B: Ductile cast iron GGG 40.3 Cast iron GG25 impeller  4B: Stainless steel 1.4408	2: Confined flat gasket of EWP 210 material  4: Confined flat gasket of PTFE.
ZLND	32125	AB, AC	Alternatively  041,052,B27(*),BJ3,C23,AF3,AX3,AY3,A93,BJS,C2S,AFS,AXS,AYS,A9S,BJJ,C2J,AFJ,A9J,M1S, N1S, NFS  (*) only configuration valid for hot water up to 140°C	Alternatively  0B, 0C, 0E, 1B, 4B	Alternatively  2 or 4
	32160	AB, AC, BB,BC			
	32200	AB, AC, BB, BC			
	32250				
	40125				
	40160				
	40200				
	40250				
	40315				
	50125				
	50160				
	50200				
	50250				
	50315				
	65125				
	65160				
	65200				
	65250				
	65315				
	80160				
	80200				
	80250	AB, AC			
	80315				
	80400				
	100160				
	100200				
	100250				
	100315				
	100400				
	125200				
	125250				
	125315				
125400					
150200					
150250					
150315					
150400					
200250	AB, AC				
150500	AS, AT				
200315	AS, AT				
200400					
200500	DS, DT				
250300					
250315	AS, AT				
250400					
250500	DS, DT				
300400					
300500					
		Alternatively	041, 052, BJ3, C23, AF3, AX3, AY3, A93, BJS, C2S, AFS, AXS, AYS, A9S, BJJ, C2J, AFK, AXK, AYK, A9K,		

Designs are subject to amendment without prior notice.

**Sterling SIHI (Spain), S.A.**

Vereda de los Zapateros s/n, Pozuelo de Alarcón 28223 Madrid, Spain.  
Telephone +34 91 709 1310 Telefax +34 91 715 9700. E-mail [sihi@sihi.es](mailto:sihi@sihi.es)