

Vacuum pump

LOHE

LOH K 05501

Capacity 2,7-6,1 m ³ /h	Pressure range 80-1013mbar	Material Cast iron & Bronze
--	--------------------------------------	---------------------------------------

Descriptions

A two stage liquid ring compressor with a simple, robust design.

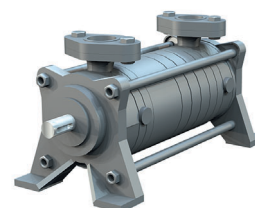
With a free shaft end all options of shaft coupling, motor and DIN seals are available to adapt the pump to your industry.

Range of application

Pumping and compressing of dry gases and saturated vapours; the compressors can also handle liquids. The compressors are applied in all fields where a compression over pressure of up to 2 bar has to be created by robust compressors and only a small increase in temperature is admissible during compression.

Typical industries is chemical, pharmaceutical, food, plastic and rubber industries.

Vacuum is used for distillation, drying, degassing , filling and boiling.



AT 6300-05501

Design

The compressor works according to the fluid ring principle. Fluid pumps are in some regards related with displacement pumps since the pump wheel is eccentrically located in the round pump body. When the wheel is rotating a fluid ring is created along the pump body's inner wall. In the cells (the space between the pump wheel wings) inside the fluid ring rising part volumes (inlet) and then decreasing volumes (outlet) will be created under one rotation.

Product key (example LOHE 05501 AN 001 01 0)

Pos	Description	Cod e	Explanation
1-3	Pump model	LOH	Fluid ring compressor
4	Construction	E	
		055	
5-10	Pump size	01	Two stage compressor
11-12	Bearing+ sense of rotation	A	One sleeve bearing , one greased roller bearing
		N	One shaft end, clockwise rotating
15	Sealing	001	Gland packing, standard design
16-17	Material	01	Se table below
		32	Se table below
18	Gasket	0	O-ring

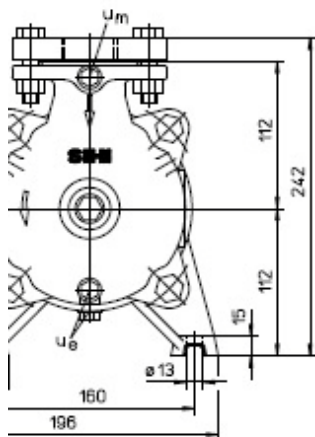
Material combinations

Pos	01	32
Casing	0.6025 Cast iron	2.1050.01 Bronze
Central body	0.6025 Cast iron	2.1050.01 Bronze
Guide disc	0.6025 Cast iron	G Sn Bz 16 Bronze
Shaft	1.4021 Stainless steel	1.4401 Acid-proof steel
Impeller	2.0550 Bronze	2.1052.10 Bronze

Vacuum pump

LOHE

LOH K 05501



Connections

Connection	Designation 05501
N1	Inlet G 1 1/4
N2	Outlet G 1 1/4
Ue	Drainage G 1/4
Um	Pressure sensor G 1/4

Service fluid in m³/h

Pressure mbar	in	80	120	200	400
05501		0,2	0,2	0,2	0,17

Total service fluid by installation where the fluid is directed straight in to the drain
For other installations ask Armatec