

Pressure Sensor with display

AT 7762

Dimension range G 1/2	PN 40 bar	Temperature range -20°C to +100°C	Material Stainless steel
---------------------------------	---------------------	---	------------------------------------

Range of Application

Pressure sensor for measuring relative and absolute pressure in gases, steam and fluids. Also available as an option with a guard function.

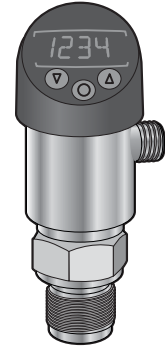
Program text

UBC.32 Sensor for pressure

Continuous output signal 4-20mA and four figure, rotating LED display.

Quality Assurance

EMC 2004/108/EG



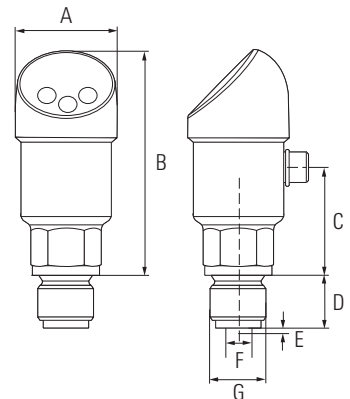
AT 7762

Material Specification

1	Display module	Macrolon
2	Body	Stainless steel 1.4301
5	Media touching parts	Stainless steel 1.4404

Dimension and Weight

A	39	
B	87	
C	41	
D	20	
E	3	
F	6	
G	G 1/2	



Function and Design

Pressure sensor for general applications within the industry. Minimum measuring range relative pressure 0...100 mbar and largest 0...40 bar and minimum measuring range absolute pressure 0...1 bar and largest 0...6 bar. The pressure sensor has an electronic output signal 4-20mA that is proportional to the pressure. The actual pressure is shown directly on a four figure LED display that is rotatable 300°C and can be inverted if the sensor is mounted upside down. Parameterization can be done through the buttons directly on the sensor or through PC software. Number of decimals, maximum three figures, and units that are shown on the display is selected automatically depending on measuring range but can easily be changed with the use of the buttons. The pressure sensor required a power supply of 24 VDC.

Technical information

Power supply	24 VDC
Electric connection	M12x1 4 pin (8 pin guard function)
Output signal	4-20 mA, 2-wire ±5% zero, parameterization through buttons
Adjustability	
Sampling frequency	10 measuring points
Resolution	2 μ A
Ambient temp.	-20°C to +85°C
Media temperature	-20°C to +100°C
Storage temperature	-40°C to +85°C
Deviation	0,2%
Temperature effect 0...50°C	0,25% FS (\geq 400mbar)
Temperature effect -20...0°C & 50...85°C	0,4% FS (\geq 400mbar)
Deviation display	\pm 0,2% \pm 1 figure
Temperature effect display	\pm 0,1%/10 FS
Protection class	IP 65

Parameterization

Parameterization	Values
Unit	bar, mbar, PSI, %, kPa, MPa, mA
Pressure adjustments	Over/under surrounding value Between over and under surrounding value, adjustable
Min/max values	
Display, time for measuring values	1.0...99.9 s
Display, time for unit	0.0...99.9 s
Display, rotation	0°/180° by upside down mounting
Decimals	Automatic, manual 0...3 st
Contacts	2
Break function	Closing or breaking
Breaking points	Between over surrounding value and reset point Between under surrounding value and breaking point
Reset point	point
ON delay	0.0...999.9 s
OFF delay	0.0...999.9 s

Accessories and Options

Other pressure ranged and other connections on request.

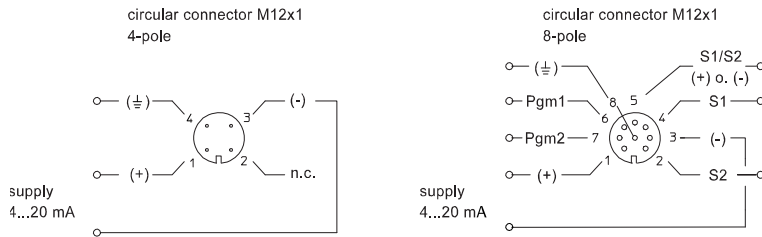
Programming kit, containing software COMLINE.s and USB interface is available to order on AT 7762-PROG.

Material certificates can be ordered, specified when ordering.

The pressure sensor can be ordered with guard function with two contacts.

Guard function

	AT7762-.V
Type of contact	NPN or PNP
Capacity	200mA, option 1A
Function	Normally open or normally closed
Breaking cycles	> 10 millions
Indication	Red LED



Installation

The pressure sensor can be installed in every direction. By calibration the sensor should be placed vertically.

Electric installation according to schematic.

Connection M12x1 4 pin

Pin 1: + feed,

Pin 2: n.c,

Pin 3: - feed

Pin 4: Grounding

Connection M12x1 8 pin and 2 sockets

Pin 1: + feed

Pin 2: S2,

Pin 3: - feed

Pin 4: S1,

Pin 5: S1/S2

Pin 6: Pgm1,

Pin 7: Pgm2,

Pin 8: Grounding

Marking

The pressure sensor is marked with the manufacturer's name, measuring range, power supply, output signal and serial number.

How to order

AT 7762-10V		
AT 7759	-10	V
Article no.	Pressure range (bar)	Guard

AT 4883	-0,1	-0,16	-0,6	-1	-2,5	-4	-6	-10	-16	-25	-40
Range bar	0-0,1	0-0,16	0-0,6	0-1	0-2,5	0-4	0-6	0-10	0-16	0-25	-40
Over pressure bar	1	1	3	10	10	20	20	100	100	100	100