

Internet_Variants

Range of application

Armatec FLEX solenoid valve for control of incoming and outgoing air can be used for pneumatic actuators with NAMUR, for example AT3830/3831/3840/3841.

Function and design

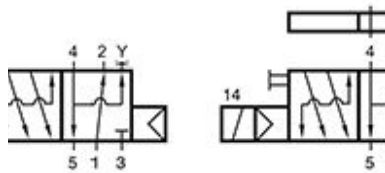
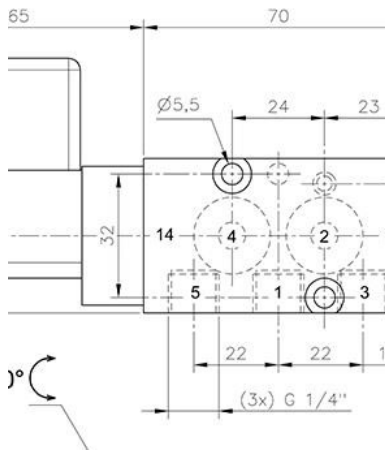
The valve is made of aluminum and is equipped with a manual test screw for use during start or power loss. The valve is delivered as standard with combined throttle screws/silencers, 6 mm hose connection and LED lamp on the coil.



Technical information

| | AT 3816-FLEX |
|---------------------|---------------------------------------|
| Function | Multi (3/2 och 5/2) Namur |
| Media | Air and neutral gases, 50µm filtering |
| Working pressure | 2-10bar |
| Flow | 1250 /min |
| Ambient temperature | -10°C to +60°C |
| Power consumption | 3W |
| Voltages DC* | 12, 24, 48, VDC |
| Voltages AC* | 24, 110, 230 VAC |
| Response time | 15ms |
| Protection class | IP65 |
| Connections | Port 1: G 1/4" |
| Manual operation | Yes, lockable |
| LED-indicator | Yes |
| Venting | Throttle screw with silencer |

*Specify upon ordering



Accessories and options

- With 1,8W coil for ASi BUS and other low-watt installations
- ATEX/ Ex variant EEx M II T4
- For -40° applications
- SS316 body material
- Stay-put function
- Operation time control (AT3816-DRN5611 for double acting and 3816-DRF3601 for single acting).

How to order

| AT3616-FLEX | Spole |
|---------------------|--|
| AT3816-FLEX24VDC | 24VDC |
| AT3816-FLEX24VAC | 24 VAC |
| | 230 |
| AT3816-FLEX230VAC | VAC |
| AT3816FLEX-3/2-PL | - Converting to 3/2 for single acting actuators. |
| | Operation time control double acting, up to 15 minutes |
| AT3816-DRN5611 | - Operation time control single acting, up to 15 minutes |
| AT3816-DRF3601 | - Operation time control single acting, up to 15 minutes |
| AT3816-FLEX-EX | Ex classed without coil, select coil below |
| AT3816FLEX230-SPEX | 230 VAC EEx M II T4 |
| AT3816FLEX24ACSP EX | 24 VAC EEx M II T4 |
| AT3816FLEX24DCSP EX | 24 VDC EEx M II T4 |