

Ball Valve

Full bore

AT 3535

Internet_Variants

Dimension range	PN	Temperature range	Material
G 1/4-G 3	63	-10°C to +200°C	Stainless steel

Range of Application

Shut-off valve mainly for:
Acids and saline solutions.
Solvents and alcohols.
Petroleum products.

PSB.1 Ball valve

Ball valve AT 3535A, ... stainless steel, full bore , PN 63, lockable lever.



Quality Assurance

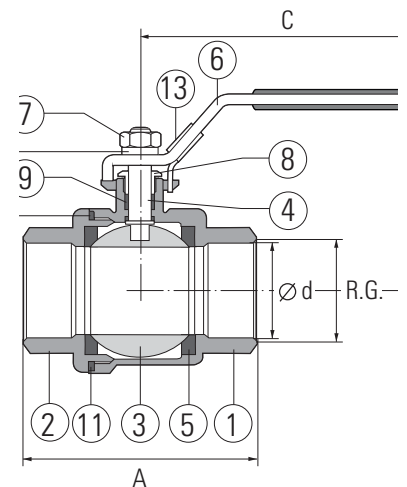
Tested in accordance with ISO 5208. Leakage Class A applies for this valve type. Inspection certificate EN 10 204, 2.2 specified when ordering.

CE-Marking

The valves meet the requirements of the PED , AFS 2016:1, the directive for pressure devices, according to category III , fluid group 1 and 2. Dimensions up to DN25 meets §8 of the PED , AFS 2016:1

Material Specification

Pos	Component	Material
1	Body	Stainless steel 1.4436
2	Connection	Stainless steel 1.4436
3	Ball	Stainless steel 1.4436
4	Stem	1.4401
5	Seat ring	PTFE
6	Lever	1.4308
7	Screw-nut	1.4308
8	Gland	1.4308
9	Gland gasket	PTFE
10	Stem gasket	PTFE
11	Body gasket	PTFE
12	Badge	1.4308
13	Lock	1.4308



Dimension and Weight

DN	8	10	15	20	25	32	40	50	65	80
Con- nection	1/4	3/8	1/2	3/4	1	1 1/4	1 1/2	2	2 1/2	3
A	50	50	58	65	80	92	105	125	155	187
B	50	50	52	57	75	80	95	102	120	130
C	100	100	100	115	150	150	180	180	245	245
Weight	0,23	0,22	0,26	0,47	0,65	1,15	1,65	2,75	4,9	7,7

Measurements in mm, weight in kg.

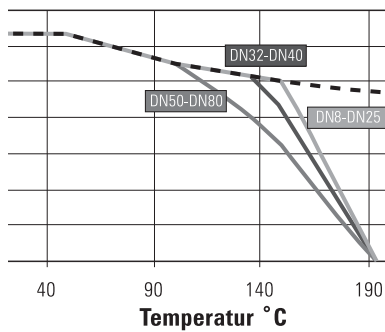
Two-piece ball valve, full bore and internal thread according to DIN 259/2999.

Ball Valve

Full bore

AT 3535

peratur



Technical Information

Torque, non pressurised condition and Kvs

DN	8	10	15	20	25	32	40	50	65	80
Nm	4	4,1	5,5	7,5	10,6	13,8	18,4	25,5	49	76,5
Kvs	5,7	6,8	9,7	18,2	30,3	49,4	69,3	128,1	229,4	359,3

Installation

The valve has internal threads and may not be used for saturated steam above 6 bar(e).

Marking

Manufacture, connection/DN, PN and material.

How to order

Example: AT 3535A50

AT 3535A

50

Fig. No.

DN

DN8-100