

Globe valve

with bellow seal

AT 1050D

Dimension range DN 15-250	PN 40	Temperature range -10 °C to 400 °C	Material Steel
-------------------------------------	-----------------	--	--------------------------

Range of application

As a shut-off valve for non-aggressive fluids, gases and steam.

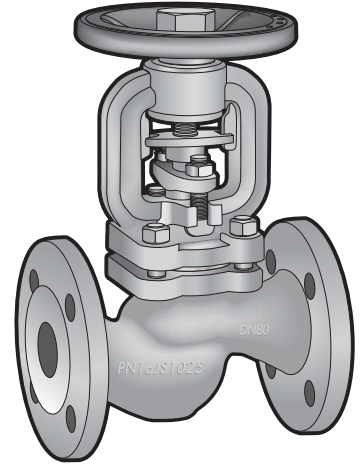
Quality assurance

Pressurized parts are manufactured in a foundry, which is generally approved by all recognized classification authorities.

Certificate SS-EN10204, type 2.2 and 3.1, as well as by most classification authorities (type of certificate is to be stated upon ordering). Testing carried out in accordance with DIN EN 12266.

CE-marking

The valves meet the requirements in AFS 2016:1 and 2014/68/EU (Pressure Equipment Directive).



AT 1050D

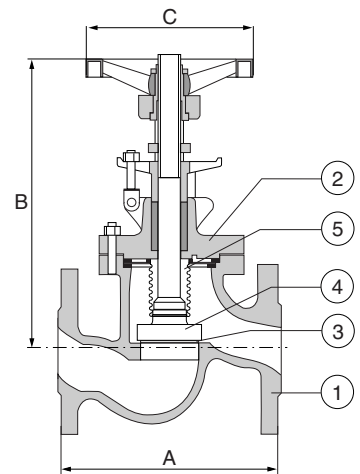
Material specification

Pos	Component	Material
1	Body	Steel 1.0619
2	Bonnet	Steel 1.0619
3	Seat	Stainless steel 1.4021
4	Cone	Stainless steel 1.4021
5	Bellow	Stainless steel 1.4301

Dimensions and weight

DN	15	20	25	32	40	50	65	80	100	125	150	200
A	130	150	160	180	200	230	290	310	350	400	480	600
B	208	208	217	215	235	235	252	270	347	380	420	570
C	120	140	140	140	160	160	180	200	250	250	360	450
Weight	4,4	4,9	5,8	7,4	9,4	12,2	17,3	23,4	40,4	58	83,8	133

Dimension in mm, weight in kg



Function and design

With bellows that prevents the media from coming in contact with the stuffing box. This eliminates the risk of leakage from the stuffing box.

- Maintenance-free
- External stem thread
- Position indicator, open/closed
- Non-rising handwheel

Technical information

Pressure and temperature

According to DIN EN 1092-1, with the following maximum values:

Working pressure max. bar	Working temperature max. °C
35	200
28	300
21	400

Pressure Drop

To calculate the pressure drop the following values are used:

D	1	2											
N	5	0	25	32	40	50	65	80	100	125	150	200	250
K _v	4,	7,	11,	18,	29,	44,	73,	112,	173,	290,	412,	702,	1020,
s	7	4	2	3	3	2	2	2	0	0	0	0	0

Difference Pressure

For differential pressure greater than stated below, a bypass should be used in order to facilitate maneuvering and obtain a good seat tightness.

DN	125	150
Δp bar	24	17

Accessories and options

Larger dimensions are available on request

Installation

Connections

Flanges acc. to
DIN EN 1092-1

Can be mounted in any position except with handwheel pointing downwards.

Vibrating pipe systems should be avoided.

The system has to be flushed clean before startup.

Marking

Manufacturer, DN, PN, CE, material and flow arrow.

How to order

Example: AT 1050D50	
AT 1050D	50
Fig. nr.	DN
RSK-number, see the RSK-register.	