

Globe valve

AT 1040C

Dimension range DN 15-250	PN 40	Temperature range -10 °C to 400 °C	Material Steel
-------------------------------------	-----------------	--	--------------------------

Range of application

A shut-off valve for:

- Steam
- Hot water
- Condensate

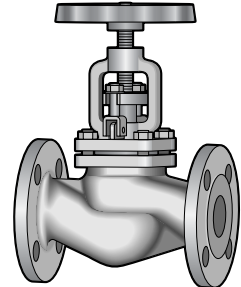
Quality assurance

Pressurized parts are manufactured in a foundry, which is generally approved by all recognized classification authorities.

Certificate SS-EN10204, type 2.2 and 3.1, as well as by most classification authorities (type of certificate is to be stated upon ordering). Testing carried out in accordance with DIN EN 12266.

CE-marking

The valves meet the requirements in AFS 2016:1 and 2014/68/EU (Pressure Equipment Directive).



AT 1040C

Material specification

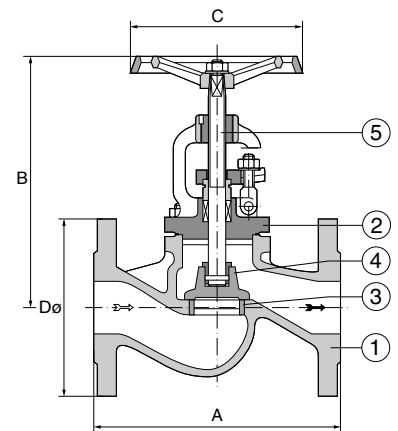
Pos	Component	Material
1	Body	Steel 1.0619
2	Bonnet	Steel 1.0619
3	Seat	Stainless steel 1.4021*
4	Globe	Stainless steel 1.4021*
5	Spindle	Stainless steel 1.4021*

*At temperatures higher than 350 C, Stellite is recommended

Dimensions and weight

DN	15	20	25	32	40	50	65	80	100	125	150	200	250
A	130	150	160	180	200	230	290	310	350	400	480	600	730
B	185	185	210	210	235	240	290	305	370	400	470	570	625
C	120	120	140	140	160	160	180	200	225	225	300	400	400
D	95	105	115	140	150	165	185	200	235	270	300	375	450
Weight	3,9	4,6	6,3	7,5	10,5	14	21,5	26	51	63,5	105	175	323

Dimension in mm, weight in kg



Function and design

Rising, male thread stem. Plane sealing areas.

The stuffing box is not pressurized when the valve is in fully open position.

Technical information

Pressure and temperature

According to DIN EN 1092, with the following maximum values:

Working pressure max. bar	Working temperature max. °C
35	200
28	300
21	400

Pressure Drop

To calculate the pressure drop, the following values are used:

DN	15	20	25	32	40	50	65	80	100	125	150	200	250
K _{vs}	4,2	7,4	12	19	31	47	77	120	188	288	410	725	1145

Max. differential pressure

DN	125	150	200	250
Differential pressure	25	17	10	6

Accessories and options

Flange with groove. Also available in PN 16. DN125 to DN250 are available with a pressure released globe. In that case the earlier mentioned limitation of differential pressure does not apply.

Installation

Connections

Fig.No	DN	Flanges acc. to	Weld ends acc.to
AT 1040C	15 - 250	SS 335-PN 40	DIN 3239 Form D

- Can be mounted in any position except with handwheel pointing downwards.
 - The system has to be flushed clean before startup.
 - Valves DN15-100 have a flow direction from bottom to top.
 - Valves DN125-150 have a reversed flow direction (eg from top to bottom).
- However the flow direction is always marked by an arrow on the body.

Maintenance and spare parts

If necessary the stuffing box must be retightened.

Marking

Manufacturer, DN, PN, material and flow arrow.

How to order

Example: AT 1040C50		
AT 1040C	50	
Fig. nr.	DN	
RSK-number, see the RSK-register		