

Backflow preventer

type BA - Fluid category 4
Car wash module

Internet_Variants

Dimension range	PN	Temperature range	Material
G 1 1/4 - 1 1/2	10	0 °C to 40 °C	Combined unit

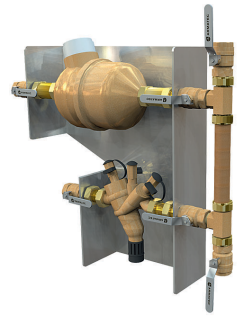
Range of application

Backflow preventer is used to protect drinking water system internally and externally against siphon backflow and pressure overload backflow. Prevention coverage for fluids up to category 4. The backflow preventer is of the type BA in accordance with SS-EN 1717. Protection module AT 1163 is specially adapted for car washing facilities.

Program text

PSG.260 Combined backflow preventer

Backflow preventer **AT 1163** DN..., Car wash module complete with console with preventer type BA with double check valves and pressure controlled intermediate chamber with draining, inlet and outlet valves and water gauge. PN 10. For max preventer coverage of fluid category 4 according to SS-EN 1717, and water gauge for internal reading of consumption to car wash machine.



AT 1163

Quality assurance

The backflow preventer is type approved by SITAC, type approval certificate no 088/97. Meets the demands from §3 and §5 in BVL and BBR point 6:611 and 6:6:15 for installation in drinking water system. In accordance with SS-EN 1717.

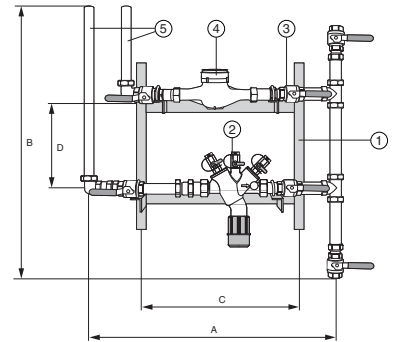
Detail specification

1	Console	Stainless steel
2	Preventer type BA	Red brass
3	Ball valve	Brass
4	Water gauge	Brass
5	Pipes	Copper

Dimensions and weight

Art. no.	A	B	Depth	C	D	Pipe	Drain	Weight
				C/C	C/C		Preventer	
AT 1163-32	1000	1000	200	560	550	Cu 35	50	53
AT 1163-40	1000	1000	200	560	550	Cu 42	50	57

Dimensions in mm, weight in kg.



Function and design

Backflow preventer type BA covers the risks up to fluid category 4 by connection of tap water. I.E. "Fluid that entails a health risk through presence of one or multiple toxic or very toxic substances or several radioactive, mutagenic or cancerous substances".

The preventer has double check valves and an intermediate chamber with draining. The preventer works with two different pressure zones, which affects the pressure loss over the two check valves. The intermediate chamber creates a safety zone towards the drinking water system. The pressure controlled intermediate chamber drains to the atmosphere during pressure loss in the upstream pipe line.

Preventer type BA prevents both siphon backflow and pressure overload back-

Backflow preventer

type BA - Fluid category 4
Car wash module

flow.

The complete backflow preventer consists of a protection module. The protection module contains a preventer type BA with an integrated dirt strainer. Shut-off valves for inlet and outlet included. It's an absolute demand that the backflow preventer is installed as a protection module. The car wash module is also provided with a water gauge for internal reading of consumption to a car wash machine.

For further information, see the product sheet, Backflow preventer AT 1168B, Ball valve AT 3605, Water gauge 7420.

Technical data

Art. no.	Unit	Capacity	Water gauge, nominal flow
AT 1163-32	Combine machine	130 l/min, 4 bars flow pressure	q _n 6
AT 1163-40	Double machine, washing path	150-250 l/min, 4 bars flow pressure	q _n 10

Accessories and options

The car wash module can be supplemented with a water gauge with remote reading module, se AT 7275HRI.

Maintenance and spare parts

Insufficient or incorrect maintenance of a tap water installation, including backflow preventer, could result in a worsened tap water quality. Regular (yearly) maintenance of the protection module should therefore be done to secure the preventer's long term function. This is a demand according to the standard SS-EN 1717. The yearly control should be performed by a controller with the proper education who is approved by Armatec AB.

For all installed backflow preventer of the type BA yearly control routines be established and a control report should be sent to the water supplier.

Armatec's service technicians are specially trained and certified for reparation and service control of backflow preventer. We offer to perform the service control and make sure that the basis for necessary reports is done.

Marking

Manufacturing, DN, PN, flow direction arrow and manufacturing number. Separate control marking plate.

How to order

DN	Application	AT-no	RSK-no
32	for combine machine	1163-32	5021021
40	for washing path	1163-40	5021022

Rätten till ändringar utan föregående meddelande förbehålls.
Armatec ansvarar inte för eventuella tryckfel eller misstänksfel.
Dokumentet får kopieras endast i sin helhet.