

Backflow preventer

type CA - fluid category 3

Article number	R S K	Ener gy class	Appl icati on	Performance	Fluid catego ry	Conne ction type	M ate ria l	D N
This row is for filter (IFB)/header codes (R):								I /
			F	F	F	F	F	R
	5							
	0							
	2						B	
	1						r	
	0			Complete			a	
	3			protection		Threa	s	1
1169-15M	6			module	3	d	s	5
	5							
	0							
	2						B	
	1						r	
	0			Complete			a	
	3			protection		Threa	s	2
1169-20M	7			module	3	d	s	0

Dimension range G 1/2 - G 3/4	PN 10	Temperature range 0 °C to 65 °C	Material Brass
-----------------------------------------	-----------------	-------------------------------------------	--------------------------

Range of application

Backflow preventer is used to protect drinking water systems internally and externally against siphon backflow and pressure overload return flow. Prevention coverage for fluid up to category 3. The backflow preventer is of the type CA in accordance with SS-EN 1717. Used e.g. for refilling of heating and cooling systems.

Program text

PSG.260 Backflow preventer module

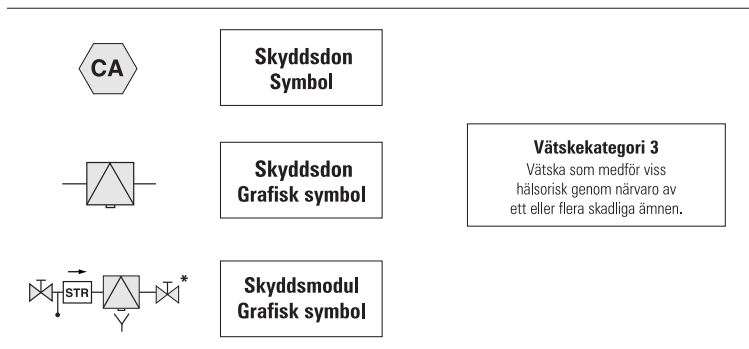
Backflow preventer AT 1169-XXM with pressure controlled intermediate chamber. Preventer module type CA for max prevention of fluid category 3 according to SS-EN 1717.



AT 1169

Backflow preventer

type CA - fluid category 3



* Ventil efter skydd är ej beskriven i standarden

Quality assurance

In accordance with SS-EN 1717. Tested according to prEN 14367.

Detail specification

1	Housing	DZR brass
2	Connection screw-nut/socket	DZR brass
3	Strainer	Stainless steel
4	Sealing ring	NBR and EPDM
5	Cone insert with check valve	Synthetic

Dimensions and weight

Connection	A	B	C	D	Connection draining	Weight preventer	Weight module	Build length module
G 1/2	14	11	8	9	DN 40	0,51	1,0	225
	2	4	2	7				
G 3/4	15	11	8	9	DN 40	0,70	1,1	230
	0	4	2	3				

Dimensions in mm, weight in kg.

Function and design

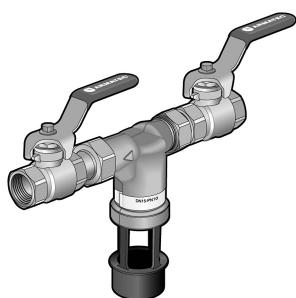
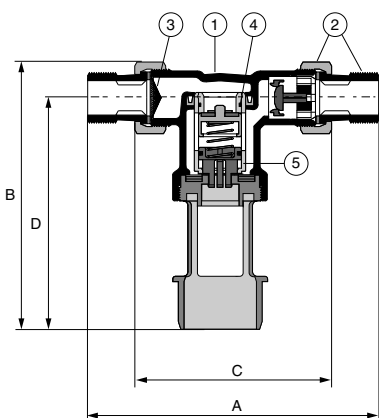
Backflow preventer type CA covers the risks up to fluid category 3 connection of drinking water. I.E. "Fluid that entails a certain health risk through presence of one or multiple harmful substances".

The preventer is divided in three pressure zones through double check valves and intermediate chamber with drainage. The intermediate chamber gives a safety zone between the incoming drinking water and the polluted water downstream. When the differential pressure between the inlet zone and the intermediate zone sinks under 10% of the inlet pressure the intermediate chamber drains to the atmosphere. The preventer protects from both siphon backflow and pressure overload backflow.

The backflow preventer is supplied with an integrated strainer in the preventor module inlet.

Technical data

Minimum working pressure	1,5
Maximum working pressure	10
Kv, m ³ /h by $\Delta p=1,0$ bar	0,7



Rätten till ändringar utan föregående meddelande förbehålls.
Armatec ansvarar inte för eventuella tryckfel eller misstänksfel.
Dokumentet får kopieras endast i sin helhet.

Backflow preventer

type CA - fluid category 3

Maintenance and spare parts

The product does not entail reparation on top of cleaning. The inlet strainer can require cleaning from dirt and metal shavings. The cone insert with check valve can be mounted out by screwing the draining pipe in the bottom.

Marking

Manufacturer, DN, PN, flow direction arrow and manufacturing number.

How to order

Complete protection module		
Size	AT-no	RSK-no
G 1/2 (DN15)	1169-15M	502 10 36
G 3/4 (DN 20)	1169-20M	502 10 37

