

Backflow preventer

type BA - fluid category 4

Internet_Variants

Dimension range	PN	Temperature range	Material
DN 65-200	10	0°C to 65°C	Gray iron
DN 65-150	10	0°C to 65°C	Stainless steel

Range of application

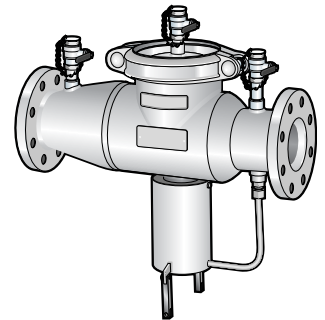
Backflow preventer is used to protect tap water systems internally and externally from siphon backflow and pressure overload backflow. Prevention coverage for fluid up to category 4. The backflow preventer of the type BA in accordance with SS-EN 1717.

PSG.260 Combined backflow preventer

Backflow preventer **AT 1167-XXM** (alternatively 1167RXXM for performance in stainless steel) DNXX. Complete protection module consisting of preventor of the type BA with double check valves and intermediate chamber with draining, inlet and outlet valves and dirt filters with valves for draining. PN 10 in flanged performance. For max prevention coverage of fluid category 4 according to SS-EN 1717.



AT 1167B



AT 1167R

Quality assurance

In accordance with SS-EN 1717.
DIN/DVGW type approval.

Skyddsdon
Symbol

Skyddsdon
Grafisk symbol

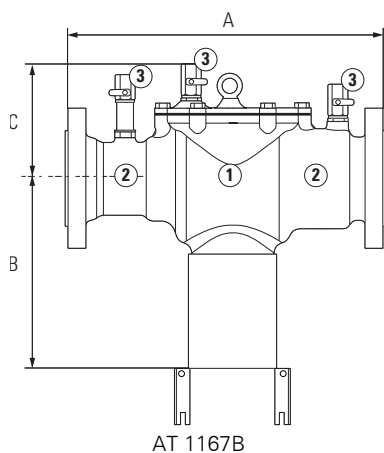
Skyddsmodul
Grafisk symbol

Vätske:

Vätska som medfö
närvaro av ett e
ämnen eller ett ell
mutagena eller ca

Backflow preventer

type BA - fluid category 4



Material specification

		AT 1168B	AT 1167
1	Housing	Surface coated gray iron	Stainless steel EN 1.4571
3	Checkvalve	Brass	Stainless steel EN 1.4305
4	Control valves	Nickel-plated brass	Nickel-plated brass
5	Membrane, sealings	EPDM	EPDM

Dimensions and weight

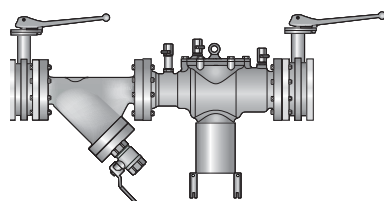
AT 1167B DN	A	B	C	Connection draining	Weight preventer	Build length module
65	356	246	155	DN 150	23,9	738
80	440	275	173	DN 150	32,7	842
100	530	296	201	DN 150	44,6	984
150	630	314	230	DN 150	70,9	1222
200	763	346	272	DN 150	114,1	1483

Dimensions and weight

AT 1167R DN	A	B	C	Connection draining	Weight preventer	Build length module*
65	559	270	245	DN 150	32,0	1189
80	559	270	245	DN 150	32,5	1229
100	559	270	245	DN 150	33,0	1289
150	695	300	285	DN 150	57,0	1875

Dimensions in mm, weight in kg

*) Total build length is the sum of ingoing valves, gaskets are not included.



Complete protection module

Function and design

Backflow preventer type BA covers the risks up to fluid category 4 by connection of tap water. I.E. "Fluid that entails a health risk through presence of one or multiple toxic or very toxic substances or several radioactive, mutagenic or cancerous substances".

The preventer has double check valves and an intermediate chamber with draining. The preventer works with three different pressure zones. The pressure in zone 1 is higher than in zone 2, which is higher than zone 3. A drain valve is connected in zone 2 and is opened when the pressure difference between zone 1 and zone 2 falls below 0,14 bar. The water in zone 2 is drained to the atmosphere. That way strainer and pressure overload backflow in the system is prevented.

The backflow preventer should be installed as a complete protection module. The protection module contains a preventer type BA together with an integrated dirt filter. Shut-off valves for inlet and outlet included. It's an absolute demand that the back flow preventer is installed as a protection module.

Accessories and options

Protection module type BA is also available adapted for sprinkler systems. Flanged connection AT 1167-XXMS, DN 65-200. The butterfly valves are equipped with limit switches for indication of opened/closed valve to meet the demands according to SBF 120. Separate strainer insert with 8,0mm mesh follows for possible replacement of standard strainer insert (0,6 mm mesh).

Backflow preventer

type BA - fluid category 4

Maintenance and spare parts

Insufficient or incorrect maintenance of a tap water installation, including backflow preventer, could result in a worse tap water quality. Regular (yearly) maintenance of the protection module should therefore be done to secure the preventer's long term function. This is a demand according to the standard SS-EN 1717. The yearly control should be performed by a controller with the proper education who is approved by Armatec AB.

For all installed backflow preventer of the type BA yearly control routines be established and a control report should be sent to the water supplier.

Armatec's service technicians are specially trained and certified for reparation and service control of backflow preventer. We offer to perform the service control and make sure that the basis for necessary reports is done.

Maintenance and spare parts

Insufficient or incorrect maintenance of a tap water installation, including backflow preventer, could result in a worsened tap water quality. Regular (yearly) maintenance of the protection module should therefore be done to secure the preventer's long term function. This is a demand according to the standard SS-EN 1717. The yearly control should be performed by a controller with the proper education who is approved by Armatec AB.

For all installed backflow preventer of the type BA yearly control routines be established and a control report should be sent to the water supplier.

Armatec's service technicians are specially trained and certified for reparation and service control of the backflow preventer. We offer to perform the service control and make sure that the basis for necessary reports is done.

Marking

Manufacturing, DN, PN, flow direction arrow, manufacturer and manufacturing number.

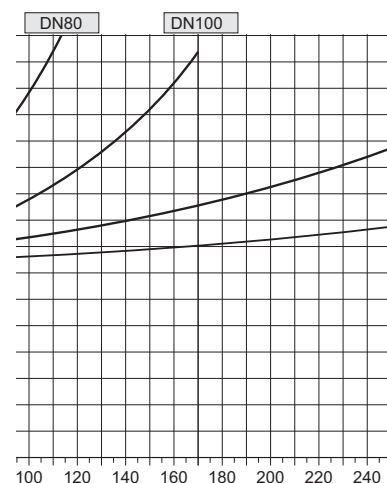
Separate control marking plate.

How to order

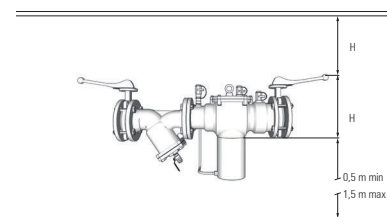
Complete protection module (gray iron)		
DN	AT-no	RSK-no
65	1167-65M	5021029
80	1167-80M	5021030
100	1167-100M	5021031
150	1167-150M	5021032
200	1167-200M	5021033

How to order

Only preventer (gray iron)	
DN	oAT-nr
65	1167B65
80	1167B80
100	1167B100
150	1167B150
200	1167B200



AT 1167B



Pump curve

Backflow preventer

type BA - fluid category 4

How to order

Only preventer (Stainless steel)

DN	AT-no
65	1167R65
80	1167R80
100	1167R100
150	1167R150