

GLOBE VALVE

TYPE 3561 - PN40

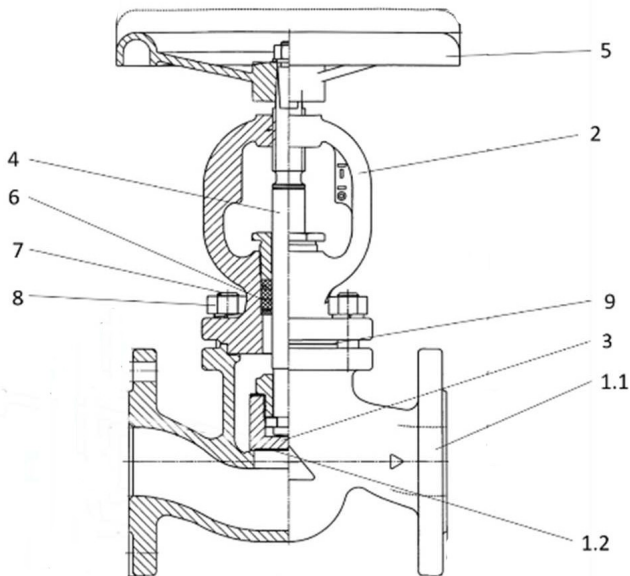


GENERAL

DIMENSION:	DN15 - DN100
PRESSURE:	PN40
TEMPERATURE:	-10°C TO 400°C
FLANGES:	EN1092-1
MATERIAL:	CAST STEEL
FACE TO FACE:	DIN EN558-1

OPTION

DIMENSION:	DN125 - DN200
MATERIAL:	STAINLESS STEEL
PRESSURE:	PN25 (DN15 - DN200) DUCTILE IRON



POS	DESCRIPTION	MATERIAL
1.1	BODY	STEEL 1.0619
1.2	SEAT	STAINLESS STEEL 1.4370
2	BONNET	STEEL 1.0619
3	DISC	STAINLESS STEEL 1.4021
4	STEM	STAINLESS STEEL 1.4104
5	HANDWHEEL	DUCTILE IRON EN-GJS-400-18-LT
6	GLAND PACKING	GRAPHITE
7	STUD BOLT	STEEL 1.7233
8	NUT	STEEL 1.1181
9	GASKET	GRAPHITE + NiCr

DESCRIPTION

- High quality globe valve.
- High tightness (leakproofness class A acc. to EN12266-1).
- Compact and tested design.

SUITABLE FOR



INDUSTRY



MARINE



HEATING SYSTEM

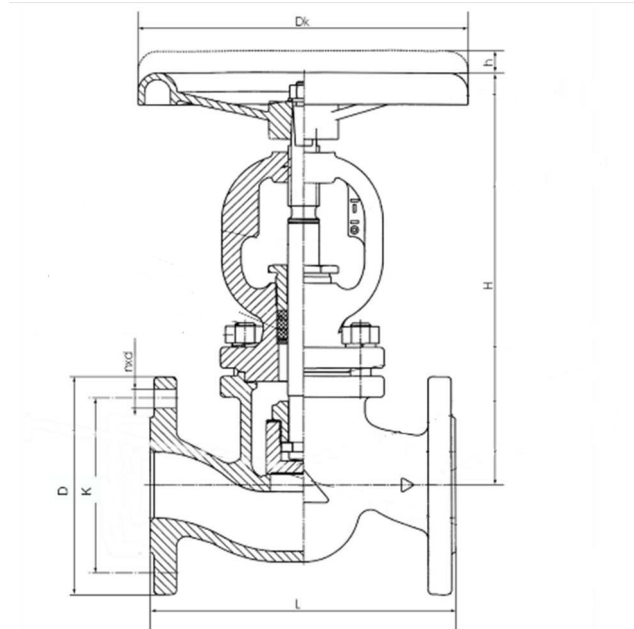


STEAM



COOLING SYSTEM

DIMENSIONS



DIM	VALVE [MM]				FLANGE [MM]			Kvs [M ³ /H]	WEIGHT [KG]
	L	Dk	H	h	D	K	nxd		
DN15	130	120	208	6.0	95	65	4x14	4.3	4.3
DN20	150	120	208	6.0	105	75	4x14	7.0	5.1
DN25	160	120	208	6.0	115	85	4x14	11.0	5.8
DN32	180	180	248	10.0	140	100	4x18	17.5	9.5
DN40	200	180	248	10.0	150	110	4x18	27.0	9.8
DN50	230	250	332	16.5	165	125	4x18	47.0	17.5
DN65	290	250	332	16.5	185	145	8x18	68.0	20.5
DN80	310	250	407	25.0	200	160	8x18	116.0	34.0
DN100	350	250	407	25.0	235	190	8x22	162.0	44.0
DN125	400	320	571	40.0	270	220	8x26	250.0	77.0
DN150	480	320	571	40.0	300	250	8x26	364.0	113.0
DN200	600	400	571	92.0	375	320	12x30	550.0	180.0
DN250	730	360	638	120.0	405	355	12x28	1010.0	200.0
DN300	850	500	710	120.0	460	410	12x28	1460.0	315.0

PRESSURE / TEMPERATURE

