

GLOBE VALVE

TYPE 3561 - PN16

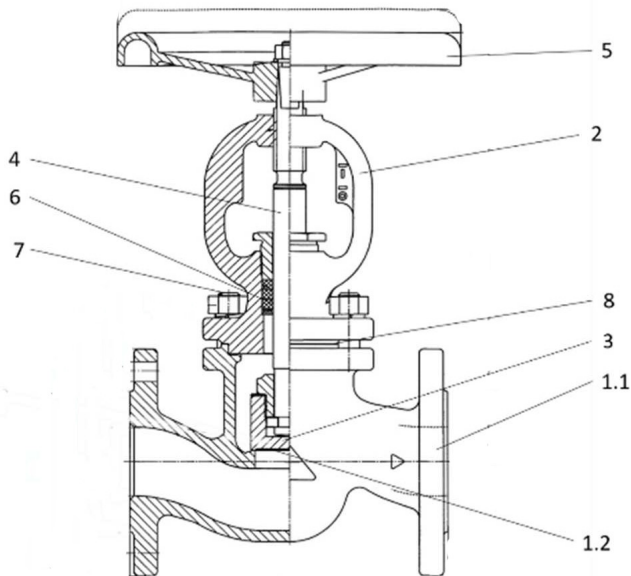


GENERAL

DIMENSION:	DN15 - DN100
PRESSURE:	PN16
TEMPERATURE:	-10°C TO 300°C
FLANGES:	EN1092-2
MATERIAL:	CAST IRON
FACE TO FACE:	DIN EN558-1

OPTION

DIMENSION:	DN125 - DN300
PRESSURE:	PN25 (DN15 - DN200) DUCTILE IRON



POS	DESCRIPTION	MATERIAL
1.1	BODY	CAST IRON EN-GJL250
1.2	SEAT	STAINLESS STEEL 1.4021
2	BONNET	CAST IRON EN-GJL-250
3	DISC	STAINLESS STEEL 1.4021
4	STEM	STAINLESS STEEL 1.4021
5	HANDWHEEL	DUCTILE IRON EN-GJS-500-7
6	GLAND PACKING	GRAPHITE
7	STUD BOLT	STEEL 5.6
8	NUT	STEEL 1.1181

DESCRIPTION

- High quality globe valve.
- High tightness (leakproofness class A acc. to EN12266-1).
- Compact and tested design.

SUITABLE FOR



INDUSTRY



MARINE



HEATING SYSTEM

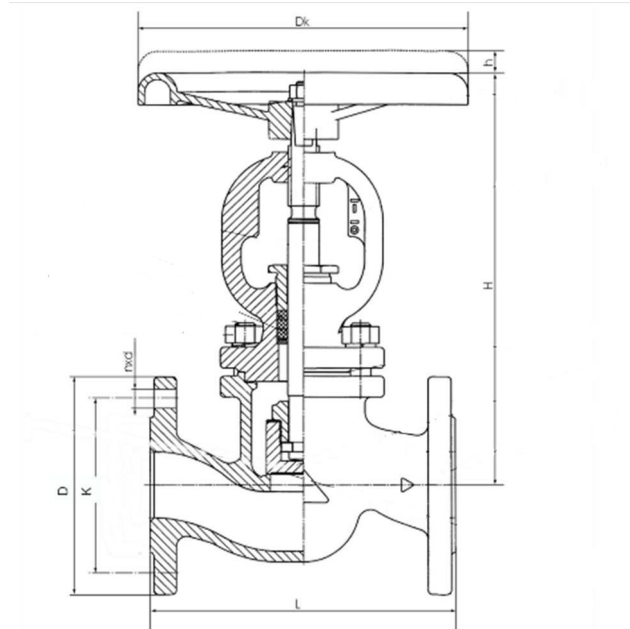


STEAM



COOLING SYSTEM

DIMENSIONS



DIM	VALVE [MM]				FLANGE [MM]			Kvs [M³/H]	WEIGHT [KG]
	L	Dk	H	h	D	K	nxd		
DN15	130	100	167	5.0	95	65	4x14	5.9	3.3
DN20	150	100	175	5.5	105	75	4x14	7.4	3.9
DN25	160	120	175	7.0	115	85	4x14	13.0	5.0
DN32	180	120	186	14.0	140	100	4x19	18.0	6.6
DN40	200	160	235	20.0	150	110	4x19	30.0	9.4
DN50	230	160	248	25.0	165	125	4x19	41.0	12.0
DN65	290	180	260	35.0	185	145	4x19	79.0	17.3
DN80	310	200	291	41.0	200	160	8x19	115.0	22.7
DN100	350	250	338	31.0	220	180	8x19	181.1	35.8
DN125	400	250	373	48.0	250	210	8x19	225.0	52.8
DN150	480	320	429	54.0	285	240	8x23	364.0	74.2
DN200	600	360	529	77.0	340	295	12x23	690.0	126.0
DN250	730	360	638	120.0	405	355	12x28	1010.0	200.0
DN300	850	500	710	120.0	460	410	12x28	1460.0	315.0

PRESSURE / TEMPERATURE

