

# BUTTERFLY VALVE TYPE LUG

## TYPE E6830



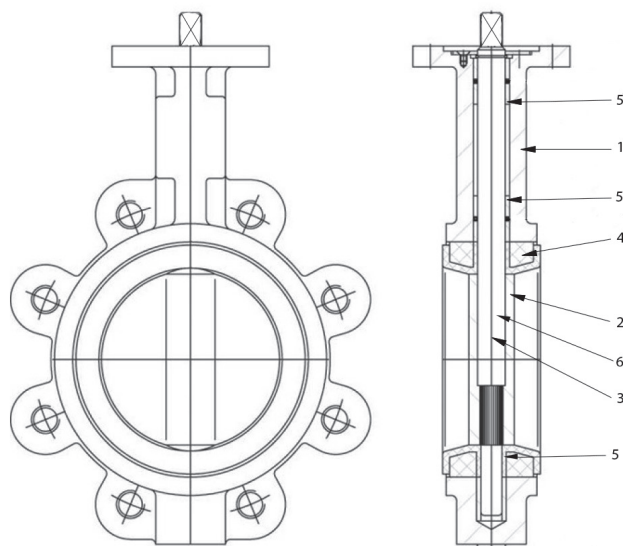
### GENERAL

DIMENSION/PRESSURE:	DN40 - DN150 = PN16 DN200 - DN600 = PN10
SURFACE:	POLYESTER POWDER COATING MIN. 200 µm, RAL 5015
FACE TO FACE:	EN558-1 SERIES 20
OPERATION:	FREE STEM
COUNTER FLANGES:	DN40 - DN150 = PN10/16 DN200 - 400 = PN10
TOP FLANGE:	ISO 5211
CONSTRUCTION:	REPLACEABLE SEAT

### OPTIONS

DIMENSION/PRESSURE:	DN32 = PN16 DN200 - DN400 = PN16
OPERATION:	HANDLE, GEAR, ACTUATOR (PNEUMATIC/ELECTRIC)
MATERIAL DISC:	ALU-BRONZE TYPE E6820

### MATERIALS



POS	DESCRIPTION	MATERIAL
1	BODY	DUCTILE IRON EN-JS-1030
2	DISC	STAINLESS STEEL CF8M
3	STEM*	STAINLESS STEEL AISI 410 / AISI 431
4	LINER	GUMMI EPDM / NBR
5	BUSH	BRONZE
6	PIN**	STAINLESS STEEL DUPLEX 1.4462

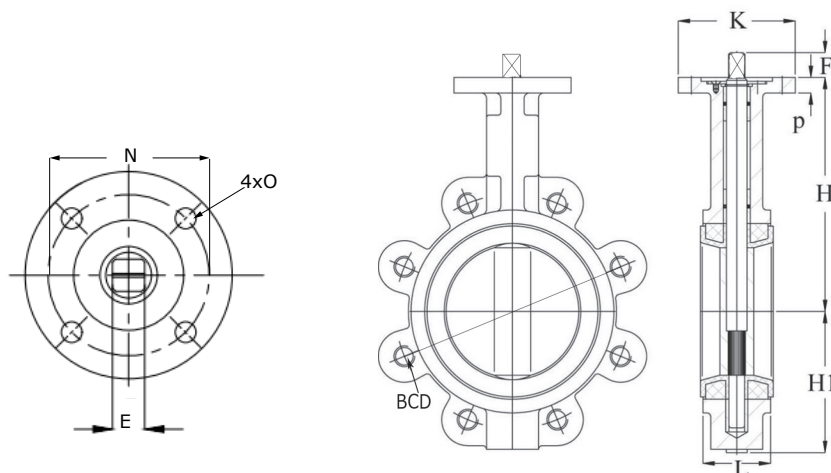
\* DN200 - DN600 = AISI 431

\*\* ONLY DN350 - DN600

### DESCRIPTION

- **High quality industrial butterfly valve** available with material certificate EN10204/3.1 on the body. Approved for ATEX zone 1/21.
- **Unique spherical seat** ensures low torque and long service life.
- **ISO 5211 top flanges** and 90° square stem enable direct mounting of actuator without the use of bracket or coupling.
- **Seat vulcanized** on a replaceable back-up ring compared to a traditional replaceable seat has several advantages: Exact tolerances produce 100 % tightness and prolong service life - suitable for vacuum and high flow velocity - mounting between flanges without seat displacement.
- **Counter flange end-of-line.**
- **Optional** with actuator, gear or handle.
- **Extended neck for easy isolation.**

## DIMENSIONS



DIM	DIMENSIONS											
[MM]	E [MM]	F [MM]	H [MM]	H1 [MM]	K [MM]	L [MM]	N [MM]	O [MM]	P [MM]	ISO	BCD	Bolts
DN32	11	13.5	115	57	65	32	50	7	12	F05	110	4 x M16
DN40	11	13.5	115	68	65	33	50	7	12	F05	110	4 x M16
DN50	11	13.5	143	72	65	43	50	7	12	F05	125	4 x M16
DN65	11	13.5	156	78	65	46	50	7	13	F05	145	4 x M16
DN80	11	13.5	162	95	65	46	50	7	13	F05	160	8 x M16
DN100	14	17.5	177	108	90	52	50/70	7/10	14	F05/F07	180	8 x M16
DN125	14	17.5	190	123	90	56	70	10	14	F07	210	8 x M16
DN150	17	18.5	205	138	90	56	70	10	14	F07	240	8 x M20
DN200	17	24.5	236	168	125	56	70/102	10/12	16	F07/F10	295	8 x M20
DN250	22	24.5	267	207	125	68	102/140*	12/12/18*	16	F10/F10/F14*	350	12 x M20
DN300	27 22*	30.0	308	243	150	78	102/125/102/140*	12/14/12/18*	16	F10/F12/F10/F14*	400	12 x M20
DN350	27	30.0	368	272	210	78	140/165	18/22	20	F14/F16	460	16 x M20
DN400	27	30.0	400	342	210	102	140/165	18/22	20	F14/F16	515	16 x M24
DN450	36	39.0	422	372	210	114	140/165	18/22	20	F14/F16	565	20 x M24
DN500	46	49.0	480	402	210	127	140/165	18/22	22	F14/F16	620	20 x M24
DN600	46	49.0	562	467	210	154	165/254	18/22	25	F16/F25	725	20 x M27

\* New model

## VALVE DATA

[MM]	TORQUE [NM]	KV-VALUE [M <sup>3</sup> /H]	WEIGHT [KG] FREE STEM
DN32	11.7	45	1.7
DN40	13.0	59	2.0
DN50	13.0	117	2.7
DN65	16.9	190	3.6
DN80	24.7	261	3.9
DN100	36.4	519	5.0
DN125	61.1	884	7.0
DN150	87.1	1366	8.0
DN200	170.3	2713	13.2
DN250	291.2	4619	19.0
DN300	417.3	7136	31.0
DN350	800.8	10308	42.0
DN400	1137.5	14176	90.0
DN450	1556.1	18775	117.0
DN500	2067.0	24140	155.0
DN600	3394.3	37295	237.0

TORQUE FIGURES INCLUDE 30% SAFETY FACTOR

## PRESSURE/TEMPERATURE

DIM	MAX. OPERATION PRESSURE [BAR]	LINER	TEMPERATURE [°C]
DN32 - DN150	16	NBR	-10°C til 80°C
		EPDM	-10°C til 110°C
DN200 - DN600	10	NBR	-10°C til 80°C
		EPDM	-10°C til 110°C



### Temperature/Pressure

Butterfly valves from Dansk Ventil Center A/S is delivered with different pressure levels and with different liner types. Always check the name plate to ensure correct operation. Pressure systems with flanges according to EN1092-1 has some limitations. Be careful not to exceed the allowable pressure/temperature limits, as this may cause damage to personal or equipment.

### Rubber seat (NBR, EPDM):

Rubber will over time lose flexibility and compression set. The higher the temperature rubber is installed in, the shorter the expected lifespan is.

Our values for temperature is given to the best of our knowledge, and we advise that valves are tested for lifespan if installation is running near the given temperature limit. If in doubt, please consult us.

### Replaceable seat:

The seat is replaceable as it is vulcanized onto a phenol back-up ring.