

BUTTERFLY VALVE TYPE LUG

TYPE E6830-TFM



GENERAL

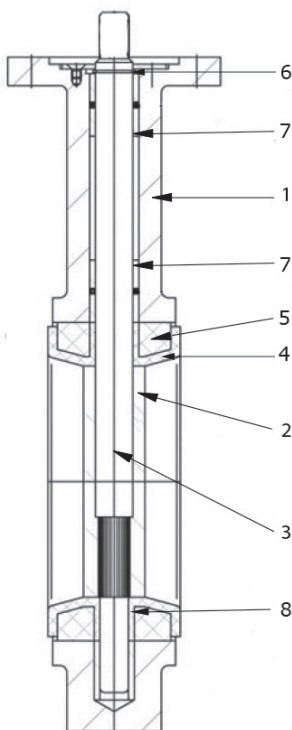
DIMENSION/PRESSURE:	DN50 - DN300 = PN10
SURFACE:	POLYESTER POWDER COATING MIN. 200 µm, RAL 5015
FACE TO FACE:	EN558-1 SERIES 20
OPERATION:	FREE STEM
COUNTER FLANGES:	DN50 - DN150 = PN10/16 DN200 - DN300 = PN10
TOP FLANGE:	ISO 5211

OPTIONS

DIMENSION/PRESSURE:	DN40
OPERATION:	HANDLE, GEAR, ACTUATOR (PNEUMATIC/ELECTRIC)



MATERIALS

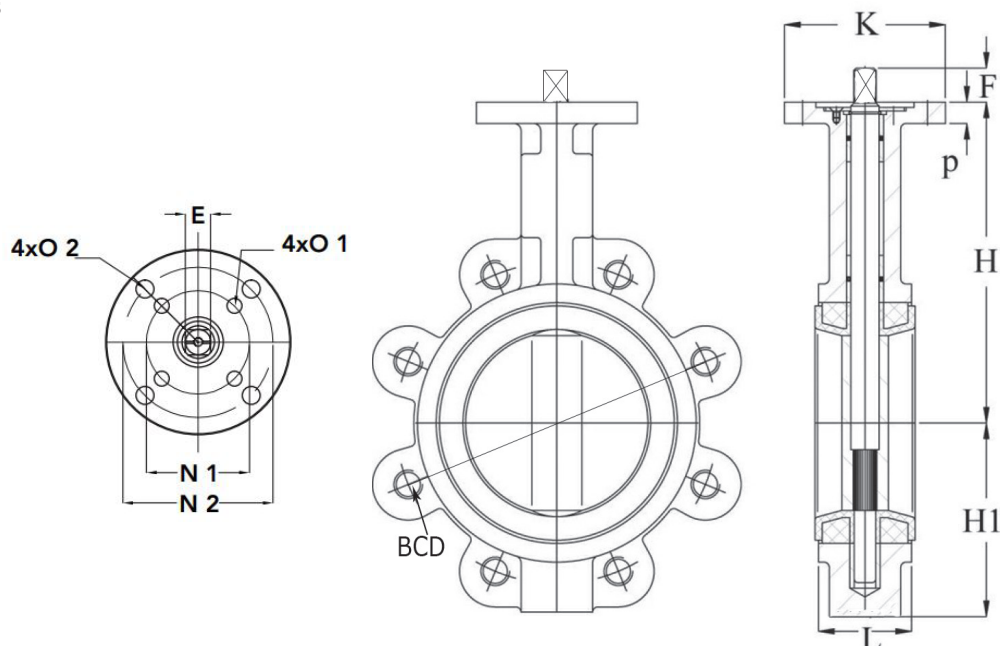


POS	DESCRIPTION	MATERIAL
1	BODY	DUCTILE IRON EN-JS-1030
2	DISC	STAINLESS STEEL CF8M
3	STEM	STAINLESS STEEL AISI 431
4	LINER	PTFE (TFM 1600) LINED EPDM
5	BACK-UP RING	POLYESTER
6	ANTI-BLOW-OUT WASHER AND CIRCLIPS	PTFE COATED ASTM-A36
7	TOP STEM BEARING	STAINLESS STEEL AISI 304
8	BOTTOM STEM BEARING	BRASS

DESCRIPTION

- **High quality industrial butterfly valve.**
- **ISO 5211 top flanges** for direct mounting of actuator without the use of bracket or coupling.
- **The valve is chemically resistant and suitable for abrasive media.**
- **Optional** with actuator, gear or handle.
- **Material certificate EN10204/3.1** is available.
- **Approvals: ATEX zone 1/21, FDA, EC1935.**

DIMENSIONS



DIM	DIMENSIONS											
	E [MM]	F [MM]	H [MM]	H1 [MM]	K [MM]	L [MM]	O [MM]	P [MM]	N [MM]	ISO	BCD	Bolts
DN40	11	13.5	115	68	65	33.0	7	12	50	F05	110	4 x M16
DN50	11	13.5	143	72	65	43.0	7	12	50	F05	125	4 x M16
DN65	11	13.5	156	78	65	46.0	7	13	50	F05	145	4 x M16
DN80	11	13.5	162	95	65	46.0	7	13	50	F05	160	8 x M16
DN100	14	17.5	177	108	90	52.0	7/10	14	50/70	F05/F07	180	8 x M16
DN125	14	17.5	190	123	90	56.0	10	14	70	F07	210	8 x M16
DN150	17	18.5	205	138	90	56.0	10	14	70	F07	240	8 x M20
DN200	17	24.5	236	168	125	60.0	10/12	16	70/102	F07/F10	295	8 x M20
DN250	22	24.5	267	207	125	68.0	12/18	16	102/140	F10/F14	350	12 x M20
DN300	22	30.0	308	243	150	78.0	12/18	16	102/140	F10/F14	400	12 x M20

VALVE DATA

DIM [MM]	TORQUE [NM]	KVS-VALUE [M ³ /H]	WEIGHT [KG] FREE STEM
DN40	33.7	59	2.3
DN50	33.7	117	3.6
DN65	33.8	190	4.2
DN80	84.5	261	4.7
DN100	91.0	519	7.5
DN125	143.0	884	10.2
DN150	227.5	1366	11.0
DN200	266.5	2713	17.0
DN250	533.0	4619	31.0
DN300	897.0	7136	44.0

TORQUE FIGURES INCLUDE 30% SAFETY FACTOR

PRESSURE/TEMPERATURE

DIM	MAX. OPERATION PRESSURE [BAR]	LINER	TEMPERATURE [°C]
DN50 - DN300	10	TFM 1600	-10°C TO 110°C



Temperature/Pressure

Butterfly valves from Dansk Ventil Center A/S is delivered with different pressure levels and with different liner types. Always check the name plate to ensure correct operation. Pressure systems with flanges according to EN1092-1 has some limitations. Be careful not to exceed the allowable pressure/temperature limits, as this may cause damage to personal or equipment.

Our values for temperature is given to the best of our knowledge, and we advise that valves are tested for lifespan if installation is running near the given temperature limit. If in doubt, please consult us.