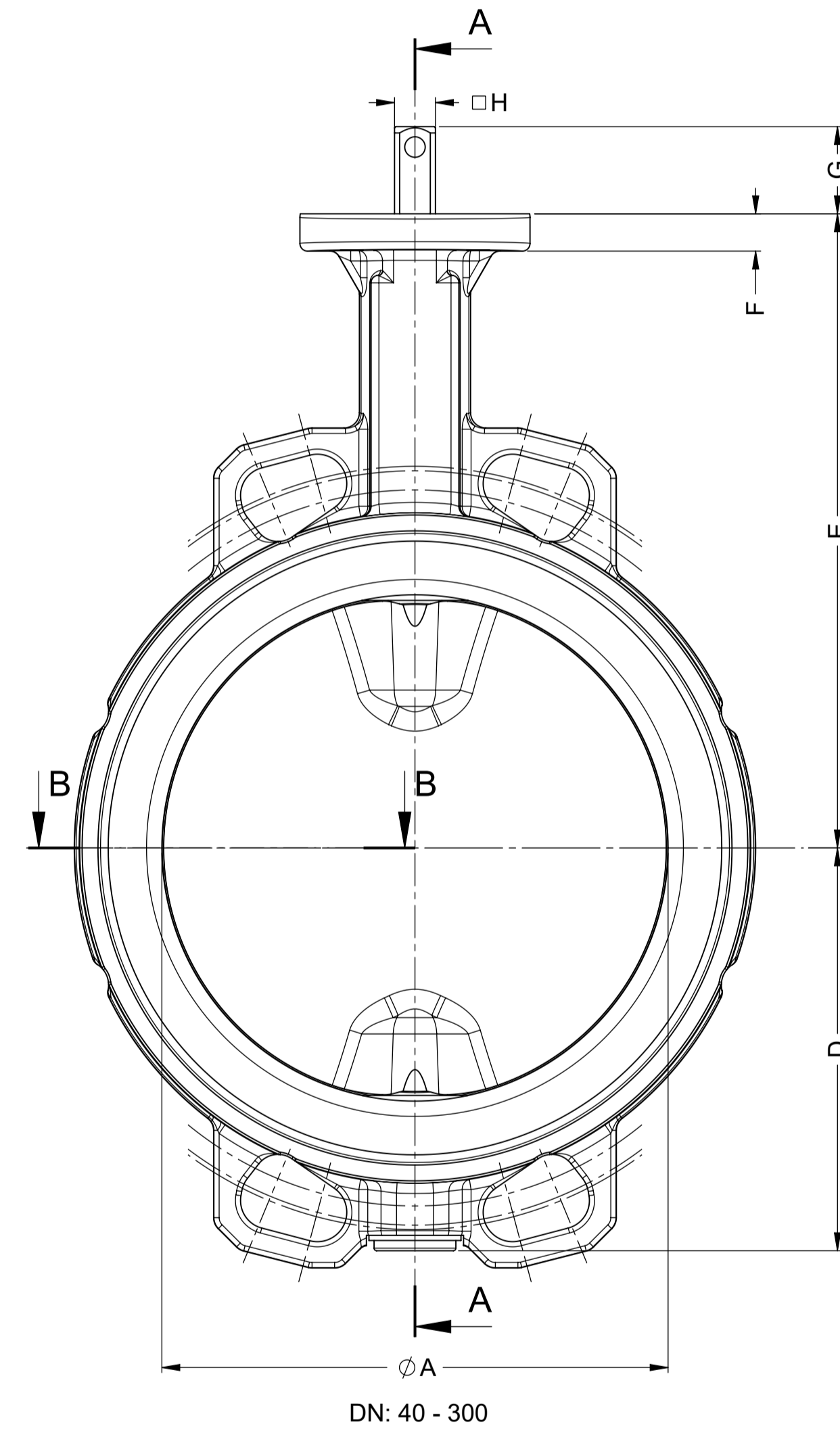
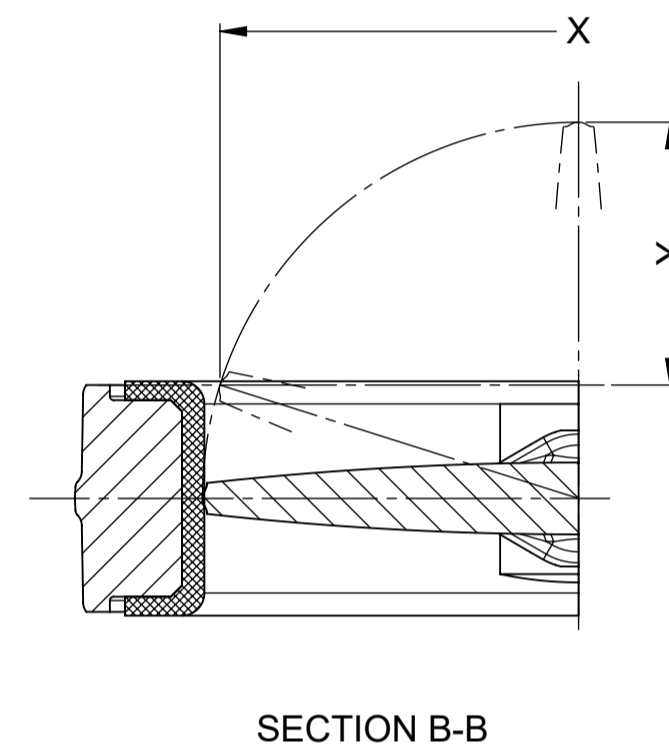
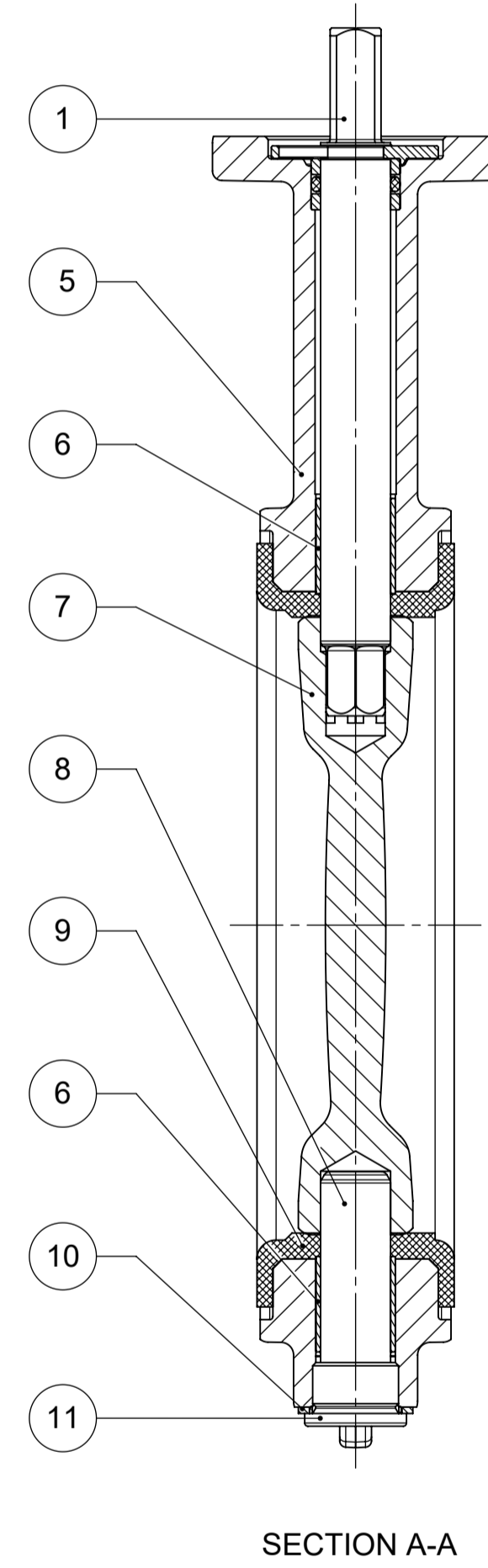
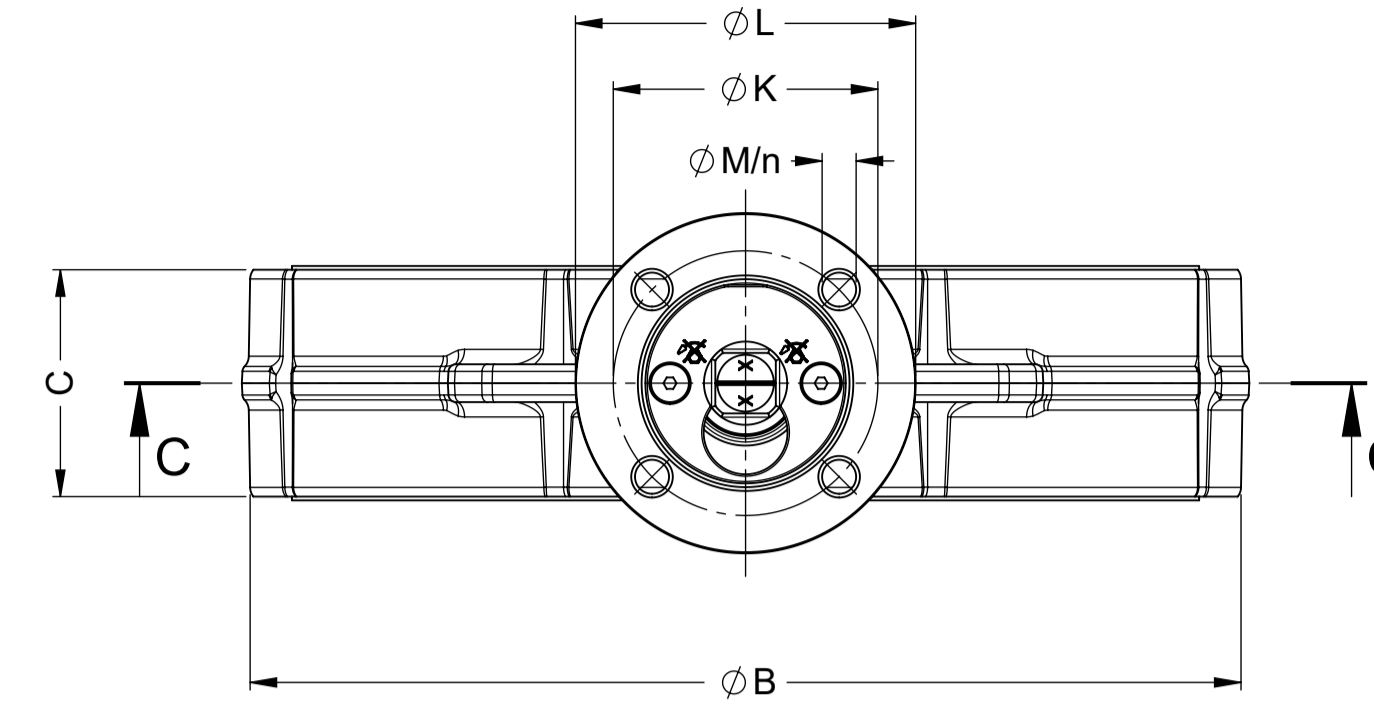
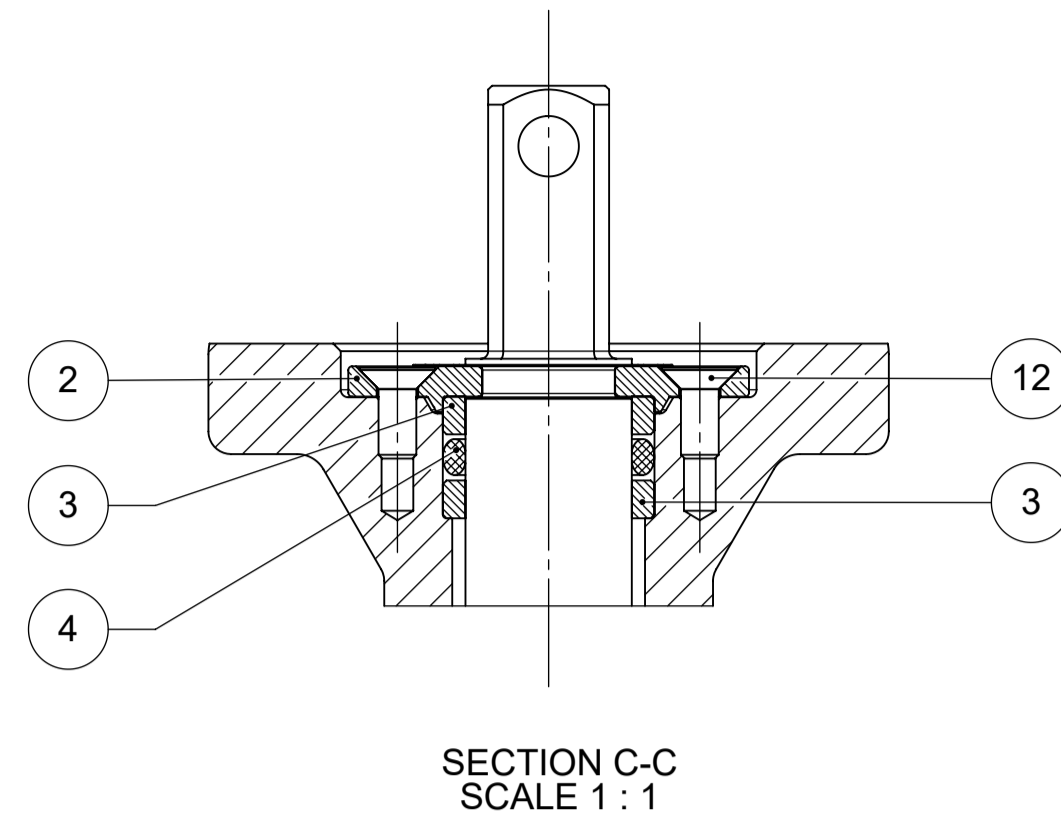


PARTS LIST BUTTERFLY VALVE		
ITEM	QTY.	DESCRIPTION
1	1	SHAFT
2	1	ANTI-BLOW-OUT-COVER
3	2	RADIAL BEARING
4	1	O-RING
5	1	BODY
6	2	BEARING
7	1	DISC
8	1	SHAFT
9	1	LINING
10	1	SEAL RING
11	1	PLUG
12	2	CSK SOCKET SCREW



DIMENSIONS BUTTERFLY VALVE (mm)									
DN	NPS	A	B	C	D	E	F	X	Y
40	(1.5")	40	86	33	58	147	12	24	4
50	(2")	50	100	43	63	152	12	27	4
65	(2.5")	65	115	46	71	160	12	47	10
80	(3")	80	130	46	78	168	12	67	18
100	(4")	100	150	52	98	189	12	87	25
125	(5")	125	182	56	109	202	12	113	35
150	(6")	150	210	56	133	224	14	140	48
200	(8")	200	262	60	158	248	14	191	70
250	(10")	250	315	68	194	280	15	242	92
300	(12")	300	371	78	219	305	15	289	111

DIMENSIONS ACTUATOR ATTACHMENT (mm)							
DN	G	H	K	L	M	n	$\Delta P_{max}$
40	34	10	70	90	9	4	16 bar
50	34	10	70	90	9	4	16 bar
65	34	10	70	90	9	4	16 bar
80	34	10	70	90	9	4	16 bar
100	34	12	70	90	9	4	16 bar
125	34	12	70	90	9	4	16 bar
150	34	16	70	90	9	4	16 bar
200	34	16	70	90	9	4	16 bar
250	45	24	102	125	11	4	16 bar
300	45	24	102	125	11	4	16 bar

VALVE SUMMARY	
DN	+/- kg/pc.
40	2
50	3
65	4
80	4
100	5
125	8
150	9
200	14
250	23
300	35

Remarks:					ISO 128 - A	W. WITZEL ORDER NR	CLIENT : ORDER NR : PROJECT :
REV	DATE	CODE	DRWN	APPR	SCALE : 1:2	DATE : 2023-10-11	TITLE: BUTTERFLY VALVE
							EVCLS-I DN 40 - 300
							FREE SHAFT EV SQUARE
							DRAWING NO: D-FAGA001-A
							SIZE: A1
					ALL RIGHTS RESERVED		
					2023-10-11		