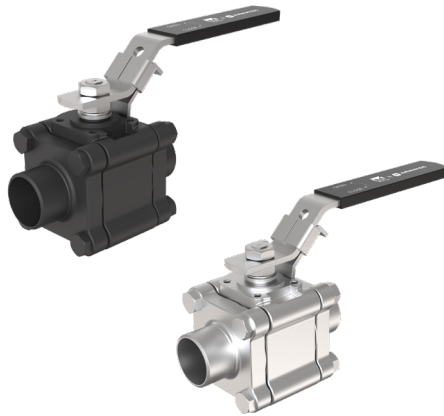


3-PCS BALL VALVE

TYPE DVC1210: STEEL
TYPE DVC1310: STAINLESS STEEL



armatec



GENERAL

DIMENSIONS: ¼"FB / ½"RB - 1"FB / 1¼"RB = 125 BAR
 1¼"FB / 1½"RB - 2"FB / 2½"RB = 100 BAR

PRESSURE: 125 BAR

TEMPERATURE: -28°C TIL 245°C (STEEL - TYPE 1210)
 -38°C TIL 245°C (STAINLESS - TYPE 1310)

ISO TOP FLANGE: ISO 5211

THREAD: BSPP - DIN259

BUTT WELD ENDS: TYPE 1210 - EN 12627
 TYPE 1310 - DIN 2463 / ISO 1127 LINE 1
 - DIN 11850-2 (FB)
 - SMS3008

BALL SURFACE HARDENING: 300 HV

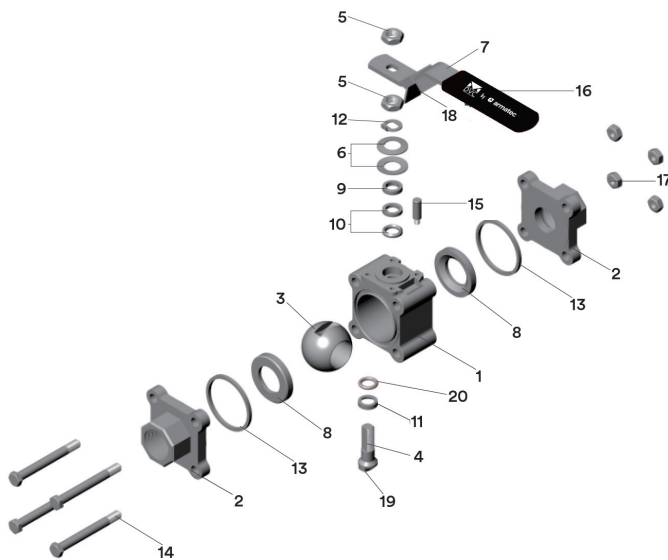
OPTION

EDITION: FIRE SAFE API 607 AND ISO 10497

CONNECTION: BSPT, NPT, ANSI B 2.1, JISPT, ASME-BPE, SCH. 10 OG 40, INDSTIKSENDER ANSI B16.11

SEAT/PACKING: PEEK, 50%SS/PTFE, DELRIN, CAVITY FILLER RPTFE, PTFE, UHMWPE

BALL SURFACE HARDENING: 1200HV +/-100HV



POS	DESCRIPTION	MATERIAL
1	BODY*	STAINLESS STEEL CF8M
2	CONNECTION*	STAINLESS STEEL CF3M/CF8M (THREAD)
3	BALL	STAINLESS STEEL CF8M
4	STEM	STAINLESS STEEL AISI 316
5	STEM NUT	STAINLESS STEEL AISI 304
6	BELLEVILLE WASHER	STAINLESS STEEL AISI 301
7	HANDLE WITH SPRING LOCK	STAINLESS STEEL AISI 304
8	SEAT PACKING	PTFE WITH 25% CARBON
9	BUSHING	STAINLESS STEEL AISI 304
10	JOINT GASKET	PTFE
11	CONIC PACKING RING	PTFE MG1241
12	LOCK SADDLE	STAINLESS STEEL AISI 304
13	BODY GASKET	PTFE TM1600
14	BOLT	STAINLESS STEEL AISI 304
15	STOP BOLT	STAINLESS STEEL AISI 304
16	HANDLE SLEEVE	VINYL
17	NUT	STAINLESS STEEL AISI 304
18	LOCKING DEVICE	STAINLESS STEEL AISI 304
19	ANTI-STATIC DEVICE	STAINLESS STEEL AISI 316
20	O-RING	FPM

≥DN65F has backup-ring for seat in stainless steel

* Type 1211 A216 Gr. WCB

DESCRIPTION

- **Solid ball valve for high performance tasks.** All ball valves are pressure tested. Can on demand be delivered with certificate 3.1/EN10204. Full or reduce bore.
- **Antistatic stem with dynamic stuffing box.** The unique inclined surface at the bottom of the stem, on which the conic packing ring lies, provide optimal sealing, low torque and long service life.
- **PTFE with 25% carbon filled** are used for seats and pyramid segment. This material is very suitable for high pressure and temperature and it is even more resistant to wear than traditional PTFE.
- **Approvals:** TA-Luft, EC1935 on stainless steel, ATEX, SIL3, FDA, ADI.

VELEGNET TIL



INDUSTRY



MARINE



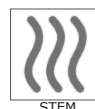
HEATING SYSTEM



COOLIN SYSTEM



WATERWORKS



STEM



BIOGAS

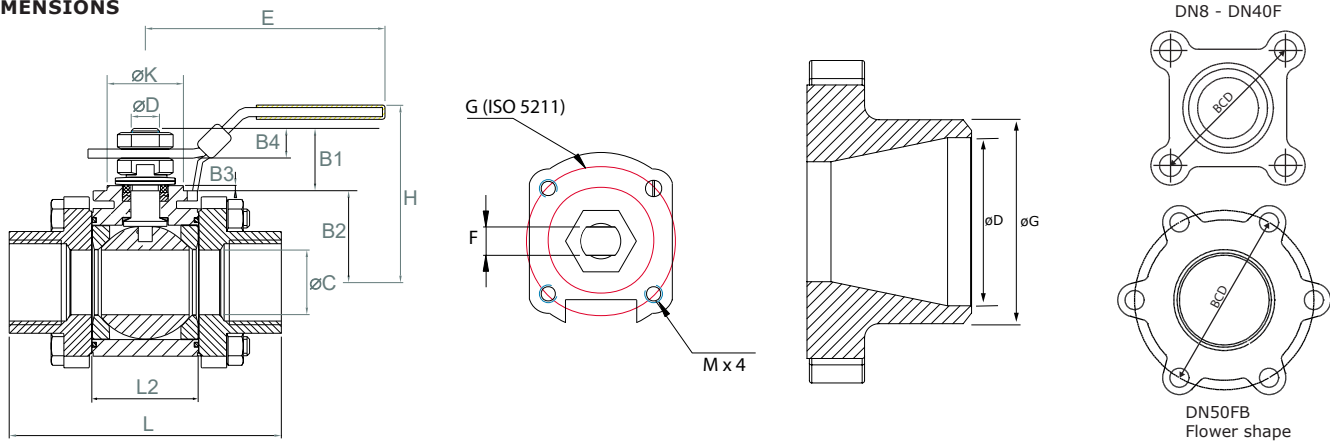


FOOD/PHARMA



WASTE WATER

DIMENSIONS



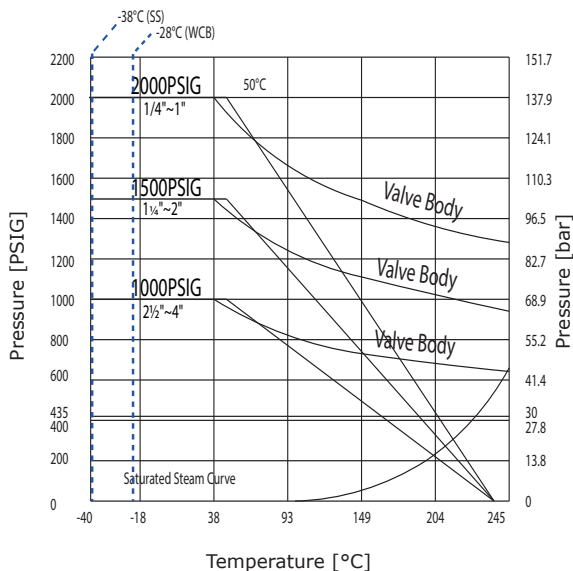
DIMENSION [MM]	VALVE WITH HANDLE									ISO TOP FLANGE				STEM				
	L [MM]			L2	B2	ØC	E	H	H1	ISO 5211	G	ØK	MX4	B3	ØD	F	B1	B4
	THREAD	BW	SMS	[MM]	[MM]	[MM]	[MM]	[MM]	[MM]		[MM]	[MM]	[MM]	[MM]	[MM]	[MM]	[MM]	[MM]
DN08FB	64.8	64.8	64.8	20.5	29.8	10	134	64.3	54.0	F03	36	25	M5	0.5	9.5	6.5	7.4	6.1
DN10FB/DN15RB	64.8	64.8	64.8	20.5	29.8	10	134	64.3	54.0	F03	36	25	M5	0.5	9.5	6.5	7.4	6.1
DN15FB/DN20RB	72.5	75.0	75.0	24.5	29.0	15	134	71.5	54.0	F03	36	25	M5	2.0	9.5	6.5	16.1	7.3
DN20FB/DN25RB	85.4	90.0	90.0	31.4	33.0	20	134	76.0	62.7	F03	36	25	M5	2.0	9.5	6.5	18.1	8.8
DN25FB/DN32RB	105.3	110.0	110.0	41.3	36.0	25	170	82.3	71.6	F04	42	30	M5	2.0	11.1	8.0	24.6	11.0
DN32FB/DN40RB	111.0	115.0	115.0	48.4	40.0	32	170	87.3	80.9	F04	42	30	M5	2.0	11.1	8.0	24.3	9.7
DN40FB/DN50RB	127.3	130.0	130.0	56.3	47.3	38	207	103.6	94.2	F05	50	35	M6	2.2	14.3	9.7	30.2	12.2
DN50FB/DN65RB	145.0	145.0	145.0	71.4	69.5	50	207	121.6	114.0	F05	50	35	M6	1.5	14.3	9.7	26.0	12.6

DIMENSION		*) TORQUE		WEIGHT		KV-VALUES		BUTT WELD ENDS [R=REDUCE BORE] [F=FULL BORE]					
[MM]	[INCH]	FB [NM]	RB [NM]	FB [KG]	RB [KG]	FB 90° M³/H	RB 90° M³/H	TYPE 1210		TYPE 1310		TYPE 1310	
								EN 12627		ISO 1127		SMS3008	
								ØG X MM (ØD)		ØG X MM (ØD)		ØG X MM (ØD)	
DN08	1/4"	8	-	0.68	-	7	-	14 X 2 (10)	F	13.5 X 1.6 (10.3)	F	10.0 X 1.0 (8.0)	F
DN10	3/8"	8	8	0.68	0.68	7	7	17.5 X 3.35 (11.4)	F	17.2 X 1.6 (14.0)	F	12.0 X 1.0 (10.0)	F
DN15	1/2"	9	8	0.83	0.68	13	7	21.7 X 3.35 (15)	R/F	21.3 X 1.6 (18.1)	R/F	18.0 X 1.0 (16.0)	R
DN20	3/4"	12	9	1.37	0.83	34	13	27.2 X 3.35(20.5)	R/F	26.9 X 1.6 (23.7)	R/F	25.0 X 1.2 (22.6)	R/F
DN25	1"	16	12	2.05	1.37	60	34	34 X 4.15 (25.7)	R/F	33.7 X 2.0 (29.7)	R/F	32.0 X 1.2 (29.6)	R
DN32	1 1/4"	26	16	2.74	2.05	95	60	42.7 X 4.15(34.4)	R/F	42.4 X 2.0 (38.4)	R/F	33.7 X 1.2 (31.3)	R
DN40	1 1/2"	34	26	3.99	2.74	215	95	48.6 X 4.15(40.3)	R/F	48.3 X 2.0 (44.3)	R/F	38.0 X 1.2 (35.6)	R
DN50	2"	35	34	5.83	3.99	370	215	60.5 X 4.6 (51.3)	R/F	60.3 X 2.6 (55.1)	R/F	51.0 X 1.2 (48.6)	R
DN65	2 1/2"	-	35	-	5.83	-	370	76.3 X 4.6 (67.1)	R/F	76.1 X 2.6 (70.9)	R/F	63.5 X 1.6 (60.3)	R

*) Torque figures include 30% safety factor. (TEST: 0bar diff. pressure, ambient temperature, non-lubricating)
 Torque is based on standard seats packing PTFE with 25% carbon.
 Torque on request: Seat packing PTFE TFM1600, PEEK, PTFE with 50% SS, DELRIN, PTFE with 15% glass fibre.

**) Weight is based on flower shaped (DN50-100F) welding ends ISO 1127.

PRESSURE/TEMPERATURE



Helium leakage test

performed by German laboratory

Two tests have been executed with vacuum inside valve – spray with helium on the outside:

- 1 x closed position, tightness on seats (flow direction)
- 1x half open position, tightness on stem and body sealings

Test result leakage rate: 10^{-7} mbar * l * s⁻¹

Further details can be seen on the test certificate.