

2-PCS BALL VALVE WITH ISO TOP FLANGE

TYPE DVC7289



armatec



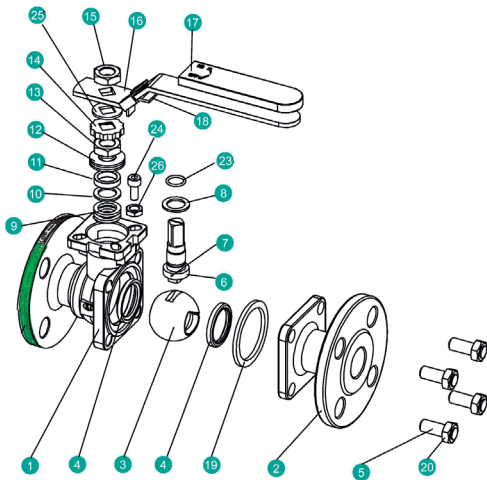
GENERAL

DIMENSION - PN40 VERSION:	DN15 - DN150
DIMENSION - PN16 VERSION:	DN65 - DN150
FLANGES:	EN1092-1
FACE-TO-FACE:	EN558:2008 SERIES 27
TOP FLANGES:	ISO 5211
BALL HARDENING:	300HV
TEMPERATURE:	-29°C TO 200°C

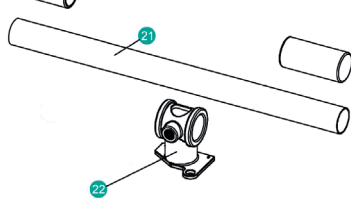
OPTIONS

MATERIAL:	STEEL TYPE E7249
FLANGES:	ANSI 150, ANSI 300
SEAT/PACKINGS:	PTFE, TFM4215, PEEK
DIMENSIONS:	DN200
MATERIAL O-RING:	KALREZ® 6375
BALL HARDENING:	1200HV +/- 100HV
BALL:	V-PORT CONTROL

DN15-65



DN80-150



POS	DESCRIPTION	MATERIAL
1	BODY	STAINLESS STEEL 1.4408
2	CONNECTION	STAINLESS STEEL 1.4408
3	BALL	STAINLESS AISI 316
4	SEAT	TFM1600
5	BOLT	STAINLESS STEEL A2-70
6	STEM*	STAINLESS STEEL AISI 316
7	ANTI-STATIC DEVICE	STAINLESS STEEL AISI 316
8	THRUST WASHER	PTFE
9	STEM PACKING	GRAPHITE
10	BUSHING	STAINLESS STEEL AISI 304
11	GLAND	STAINLESS STEEL AISI 316
12	BELLEVILLE WASHER	STAINLESS STEEL AISI 301
13	STEM NUT	STAINLESS STEEL A194-8
14	STOP LOCK CAP	STAINLESS STEEL AISI 304
15	HANDLE NUT	STAINLESS STEEL A194-8
16	HANDLE	STAINLESS STEEL AISI 304
17	SLEEVE	PVC
18	LOCKING DEVICE	STAINLESS STEEL AISI 304
19	BODY GASKET	SPIRAL WOUND GRAPHITE
20	BOLT NUT	STAINLESS STEEL A2-70
21	PIPE HANDLE**	A53+ZINC PLATED STEEL
22	HANDLE ADAPTER	STAINLESS STEEL A351-CF8
23	O-RING	FPM
24	STOP BOLT	STAINLESS STEEL A2-70
25	SUPPORT WASHER	STAINLESS STEEL AISI 304
26	STOP NUT	STAINLESS STEEL 1.4301 A2-70

*) DN150 = STAINLESS STEEL S32205
 **) DN80 - DN150

DESCRIPTION

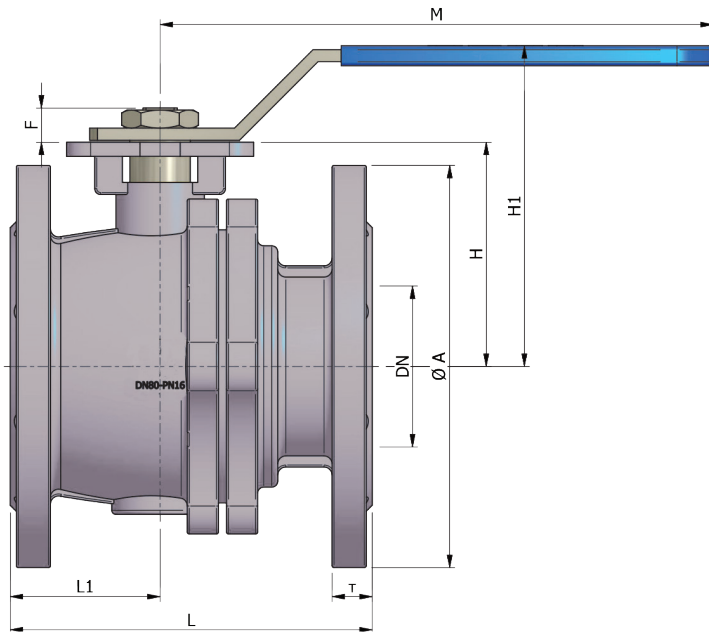
- **Material certificate** EN 10204 3.1 on all ball valves. Approved for Atex area (Group II, equipment category 2).
- **Maintenance free seal ring** with belleville spring washers, V-rings and O-ring, providing optimum sealing capabilities - even at changing temperatures.
- **The valve has as standard the following approvals:** Fire Safe acc. API 607 6th edition, TA-Luft, ATEX 94/9 / EC (Ex II 2 GD Ec-c II), SIL 2, EC1935 and FDA in stainless steel version.

SUITABLE FOR

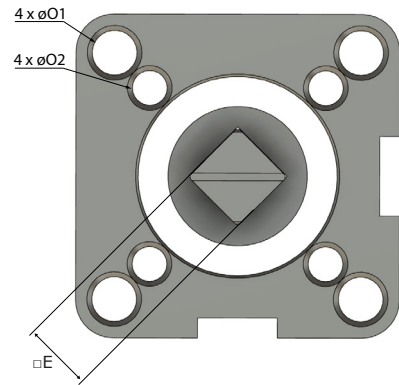


DS-DVC7289-UK-05-2024-REV. A
 We reserve the right for changes.

DIMENSIONS



ISO 5211



DIM	VALVE WITH HANDLE							ISO TOP FLANGE				WEIGHT [KG]	MAST* [NM]	PRES-SURE
	[MM]	øA	T	F	H	H1	L	L1	M	ø01/ø02	ISO 5211			
15	95	16	9	48	78	115	50	147	6/6	F03/F04	9	2.4	15	PN 40
20	105	18	9	53	84	120	54	147	6/6	F03/F04	9	3.2	15	
25	115	18	11	59	90	125	56	177	6/7	F04/F05	11	4.2	36	
32	140	18	11	71	102	130	58	177	6/7	F04/F05	11	5.5	36	
40	150	18	14	76	110	140	58	197	7/9	F05/F07	14	6.9	91	
50	165	20	14	85	118	150	63	197	7/9	F05/F07	14	9.5	91	
65	185	22	17	107	155	170	64	267	9/11	F07/F10	17	14.6	163	
80	200	24	17	117	181	180	70	300	9/11	F07/F10	17	20.4	163	
100	235	24	22	140	210	190	78	400	-/11	F10	22	29.5	354	
125	270	26	27	183	263	325	160	600	-/14	F12	27	59.5	657	
150	300	28	27	204	284	350	176	800	-/14	F12	27	84.5	1000	
200	375	34	36	253	352	400	221	800	-/18	F14	36	156.0	1557	
65	185	18	17	102	150	170	69	267	9/11	F07/F10	17	13.8	163	PN 16
80	200	20	17	112	176	180	75	300	9/11	F07/F10	17	18.1	163	
100	220	20	22	140	210	190	83	400	-/11	F10	22	25.3	354	
125	250	22	27	183	263	325	153	600	-/14	F12	27	51.0	657	
150	285	22	27	204	284	350	162	800	-/14	F12	27	72.5	1000	
200	340	24	36	253	352	400	221	800	-/18	F14	36	124.0	1557	

*Max allowed stem torque

VALVE DATA

DIM [MM]	*TORQUE [NM]	KV-VALUE [M ³ /H AT 1 BAR]	PRES-SURE
	BREAKAWAY TORQUE	90° OPEN	
15	6.5	26	PN 40
20	7.8	47	
25	14.3	82	
32	22.1	146	
40	29.9	232	
50	44.2	404	
65	68.9	670	
80	113.1	989	
100	170.3	1806	
125	353.6	3010	
150	715.0	4300	
200	949.0	8170	
65	61.1	670	PN16
80	100.1	989	
100	152.1	1806	
125	299.0	3010	
150	494.0	4300	
200	633.0	8170	

*Torque figures with 30 % safety factor included.
 When dimensioning the actuator please add the following:
 + 15% if dry air or demineralized water.
 + 30% if sludge or abrasive medias.
 - 15% if lubricating medias.

PRESSURE/TEMPERATURE

