

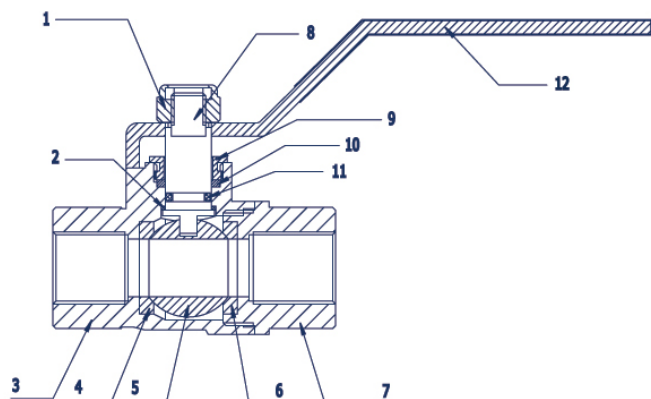
# BALL VALVE WITH STAINLESS STEEL HANDLE

## TYPE 1050



### GENERAL

DIMENSION/PRESSURE:	1/4" TO 2" = 40 BAR 2 1/2" TO 4" = 25 BAR
MATERIAL:	BRASS MS58
THREAD:	BSPP
HANDLE:	1/4" - 4" STAINLESS STEEL WITH LOCKING NUT
CONNECTION:	1/4" - 4" FEMALE/FEMALE
WORKING TEMPERATURE:	-10° C TO 80° C

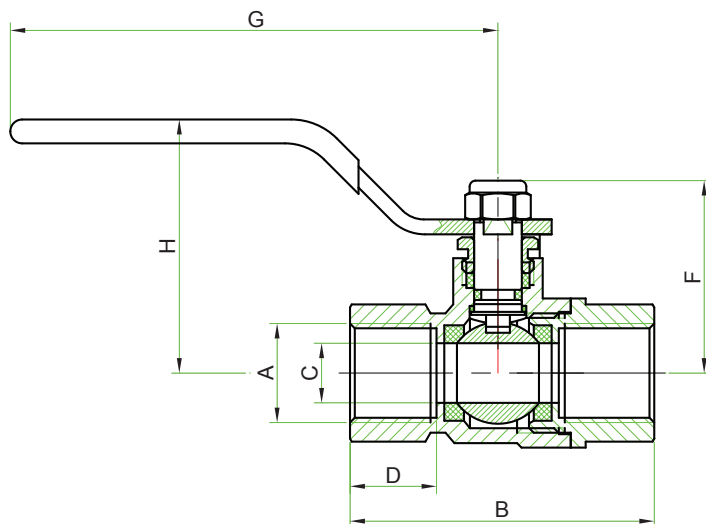


POS	DESCRIPTION	MATERIAL
1	LOCKING NUT	STAINLESS STEEL (AISI 304)
2	LOWER SEALING	PTFE
3	BODY	BRASS (MS58)
4	SEAT	PTFE
5	BALL	BRASS (MS58)
6	SEAT	PTFE
7	BODY	BRASS (MS58)
8	STEM	BRASS (MS58)
9	CAP NUT	BRASS (MS58)
10	UPPER SEALING	PTFE
11	O-RING	FPM
12	HANDLE	STAINLESS STEEL (AISI 304)

### DESCRIPTION

- **Handle in stainless steel** steel with plastic grip.
- **Nickel-plated brass ball valve** with a very fine surface structure.
- **Strong body construction.**
- **Full bore** in sizes 1/4" to 2-1/2". Reduced bore from 3" to 4".
- **Complete identification** molded into the ball valve.
- **The stem is blow-out proof**, which also gives the benefit of increasing the stem sealing when pressure rises.
- **Locking nut on the handle.**
- **Pressure stage** PN40 to 2". PN25 2-1/2" to 4"

## DIMENSIONS



DIM		VALVE WITH HANDLE					
[MM]	A [INCH]	B [MM]	C [MM]	D [MM]	F [MM]	G [MM]	H [MM]
DN08	1/4"	47.1	10.0	12.2	32.5	80	41.3
DN10	3/8"	50.7	10.0	14.8	32.5	80	42.0
DN15	1/2"	55.2	15.0	14.6	37.4	102.0	52.0
DN20	3/4"	60.9	19.0	14.2	44.1	103.4	57.2
DN25	1"	72.5	24.3	19.2	50.5	103.0	57.5
DN32	1 1/4"	79.5	30.5	17.2	61.4	134.9	72.0
DN40	1 1/2"	96.8	39.6	21.5	67.2	140.4	83.1
DN50	2"	108.9	47.0	23.6	75.5	141.8	92.8
DN65	2 1/2"	132.3	62.4	24.8	96.5	237.5	123.7
DN80	3"	147.0	73.2	24.5	108.0	238.5	134.0
DN100	4"	164.0	85.0	22.7	113.3	228.2	139.3

## VALVE DATA

DIM. [INCH]	Kv-VALUE 90° [M <sup>2</sup> /H]	WEIGHT [KG]	QTY. PER BOX	
			SMALL BOX	BIG BOX
1,4"	6	0.13	10	100
3/8"	7	0.14	10	100
1/2"	10	0.20	10	100
3/4"	27	0.30	10	60
1"	48	0.48	8	48
1 1/4"	70	0.72	4	32
1 1/2"	102	0.98	4	24
2"	204	1.52	2	8
2 1/2"	272	2.80	2	8
3"	493	4.20	2	6
4"	877	6.20	2	4

## PRESSURE/TEMPERATURE

