

BALL VALVE - STAINLESS STEEL

TYPE DVC1101

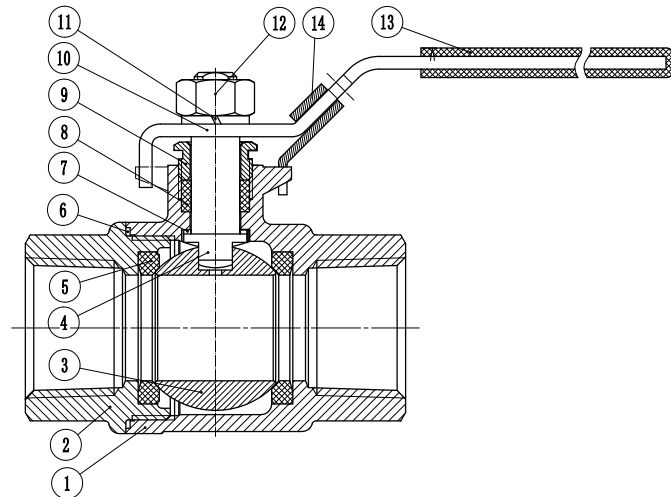


GENERAL

SIZE:	1/4" TO 3" - STANDARD HANDLE 1/4 TO 1/2 - "T" HANDLE
PRESSURE:	68 BAR
MATERIAL:	CF8M
CONNECTION:	FEMALE THREAD
THREADS:	BSPP - DIN259
WORKING TEMPERATURE:	-29°C TO 200°C (TEMPERATURE DEPENDS ON PRESSURE)
HANDLE:	LOCKING DEVICE

OPTIONS

CONNECTION:	FEMALE/MALE
-------------	-------------

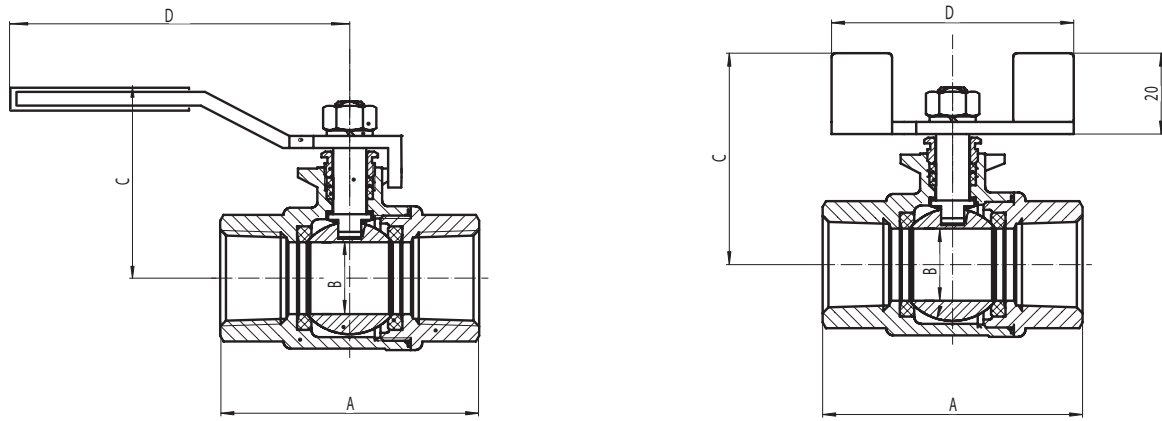


POS	DESCRIPTION	MATERIAL
1	BODY	STAINLESS STEEL CF8M
2	THREADED END	STAINLESS STEEL CF8M
3	BALL	STAINLESS STEEL CF8M
4	STEM	STAINLESS STEEL AISI 316
5	BALL SEAT	PTFE
6	BODY GASKET	PTFE
7	THRUST WASHER	PTFE
8	STEM PACKING	PTFE
9	GLAND	STAINLESS STEEL AISI 304
10	HANDLE	STAINLESS STEEL AISI 304
11	SPRING WASHER	STAINLESS STEEL AISI 304
12	NUT	STAINLESS STEEL AISI 304
13	HANDLE COVER	VINYL
14	LOCKING DEVICE	STAINLESS STEEL AISI 304

DESCRIPTION

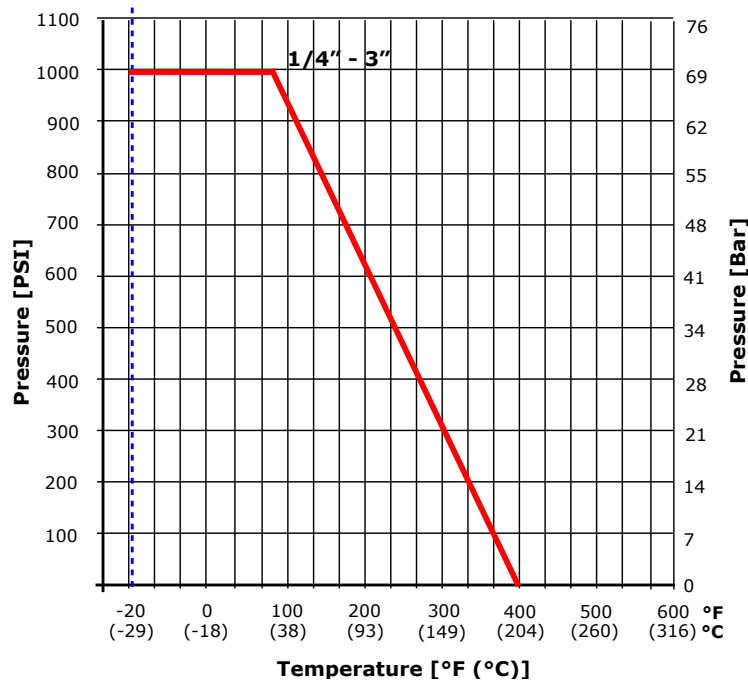
- **Vax casted ball valve** in stainless steel. Surface of vax casted materials are easy to clean.
- **The stem is blow-out proof**, which also gives the benefit of increasing the stem sealing when pressure rises.
- **Full bore** provides a minimal pressure drop.

DIMENSIONS



DIM [INCH]	VALVE WITH HANDLE					
	A [MM]	B [MM]	C [MM]	C [MM] "T" HANDLE	D [MM]	D [MM] "T" HANDLE
1/4"	51	12.5	45	48	103	60
3/8"	51	12.5	45	48	103	60
1/2"	63	15	46	50	103	60
3/4"	74	20	51	-	126	-
1"	86	25	65	-	144	-
1 1/4"	98	32	69	-	144	-
1 1/2"	106	38	85	-	189	-
2"	122	50	93	-	189	-
2 1/2"	159	65	116	-	224	-
3"	182	76	125	-	224	-

PRESSURE/TEMPERATURE



VALVE DATA

DIM [INCH]	VALVE WITH HANDLE		
	KV-VALUE 90° [M3/H]	WEIGHT [KG]	WEIGHT "T" HANDLE [KG]
1/4"	6	0,21	0,20
3/8"	10	0,19	0,19
1/2"	24	0,31	0,30
3/4"	43	0,42	-
1"	83	0,66	-
1 1/4"	130	1,05	-
1 1/2"	205	1,60	-
2"	340	2,55	-
2 1/2"	520	5,00	-
3"	1100	8,00	-