



## Product information

Cone valve made of stainless acid-resistant steel, with flanges, PN 40. With rising, externally threaded spindle. Flat sealing surfaces. The packing box is pressure-relieved with the cone in the fully open position. Valves from DN 125 have a pressure-relieved cone as standard, which also means that the flow direction is from the opposite direction, i.e. from top to bottom. Used as a shut-off valve for steam, condensate, hot water.

Dimension range (DN)	15 - 250
PN	40
Temperature (°C)	-10 - 400
Main material	Stainless steel

## Area of use

As shut-off valve for:

- steam
- hot water
- condensate

## Tender text

**PSB.5 Ball valves and needle valves**

## Quality assurance

PED 2014/68/EU

**The product is CE marked**

**Product marking:** Manufacturer, DN, PN, material, and arrow indicating flow direction.

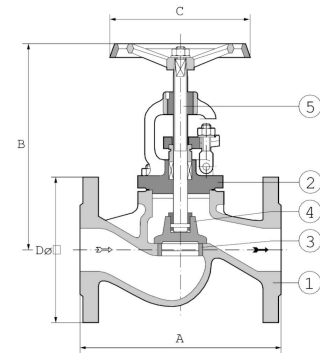
## Energy and environment declaration

**Reach date:** 12/3/2024 1:06:00 PM

**Reach note:** The product is not covered by REACH

### List of details

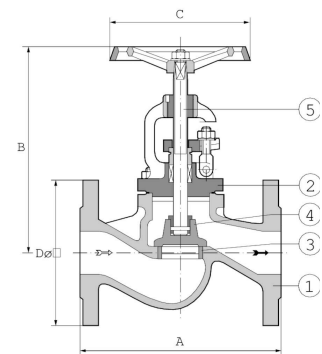
Pos	Component	Material
1	Body	Acid resistant stainless steel 316 (1.4408, CF8M)
2	Bonnet	Acid resistant stainless steel 316 (1.4408, CF8M)
3	Seat	Acid resistant stainless steel 316 (1.4408, CF8M)
4	Globe	Acid resistant stainless steel 316 (1.4408, CF8M)
5	Spindle	Acid resistant stainless steel 316 (1.4401)



### Measurements and weight

**Dimension range (DN):** 15 - 250

Item number	A	B	C	D	Net weight (kg)
1040CX15	130	185	140	95	4.5
1040CX20	150	185	140	105	5.5
1040CX25	160	220	160	115	7
1040CX32	180	220	160	140	8
1040CX50	230	255	180	165	13.5
1040CX65	290	300	225	185	19
1040CX80	310	335	250	200	27
1040CX80-16	310	335	250	200	27
1040CX100	350	370	300	235	40.5
1040CX100-16	350	370	300	220	40.5



### Function and design

Rising, externally threaded spindle. Flat sealing surfaces.  
 The packing box is pressure relieved with the cone in fully open position.  
 Maximum working pressure and temperature:  
 35 bar at 200°C

28 bar at 300°C  
21 bar at 400°C.

## Technical data

**Main material:** Stainless steel

**Main material code:** Acid resistant stainless steel 316 (1.4408, CF8M)

**Included materials:** Stainless steel

**Included material code:** Acid resistant stainless steel 316 (1.4401), Acid resistant stainless steel 316 (1.4408, CF8M)

**Temperature (°C):** -10 - 400

**Temperature notes:** DIN EN 1092 determines the allowable operating pressure in relation to temperature. Maximum 35 bar at 200°C, maximum 28 bar at 300°C, maximum 21 bar at 400°C.

**PN:** 40

**Connection:** Flanged EN1092

**ETIM classification:** EC010120 - Globe valve

DN	15	20	25	32	50	65	80	100
KVS	4.8	7.3	9.6	17.8	40.1	70.1	111	172

## Installation and maintenance

**Flowdirection:** Uni-directional

**Possible mounting position:** Vertical, Horizontal

Can be installed in any built-in position. Exception: downward-facing valve.

The system is flushed before commissioning.

Valves DN15-100 have a flow direction from bottom to top (under the cone).

Valves DN125-250 have the opposite flow direction, i.e. from top to bottom.

However, the flow direction is always indicated by an arrow on the valve housing.

Please feel free to contact us

We answer your questions by e-mail and telephone. No question is too small, no challenge is too big. You are always welcome at Armatec.

[info@armatec.se](mailto:info@armatec.se) | +46 31 89 01 00 | [www.armatec.se](http://www.armatec.se)

THE COMPANY'S MANAGEMENT SYSTEM  
IS CERTIFIED BY DNV  
ISO 9001 • ISO 14001