



## Product information

Cast iron flanged cone valve, PN 25, with bellows to prevent contact between the medium and the packing box. Maintenance-free, external spindle thread, indicator device indicating open/closed position, non-rising handwheel. Used as a shut-off valve for steam, condensate, hot water, hot oil, and hazardous media for health and the environment.

Dimension range (DN)	15 - 200
PN	16 - 25
Temperature (°C)	-10 - 350
Main material	Ductile iron

## Area of use

Shut-off valve for:

- steam
- condensate
- hot water
- hot oil

## Tender text

### **PSB.5 Ball valves and needle valves**

Cone valve AT 1028B..., DN..., flanged connection. Housing made of cast iron and bellows made of stainless acid-resistant steel.

## Quality assurance

PED 2014/68/EU, AFS 2016:1

### **The product is CE marked**

Testing is carried out in accordance to EN 12266-1. Leakage class A applies to this type of valve.

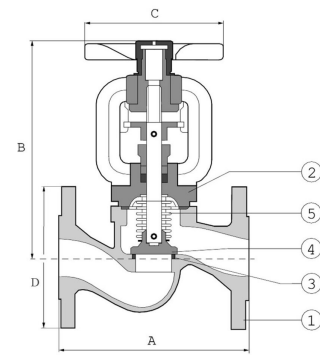
**Product marking:** Manufacturer, DN, PN, CE, material, and arrow indicating flow direction.

## Energy and environment declaration

**Reach date:** 12/3/2024 1:00:00 PM

**Reach note:** The product is not covered by REACH

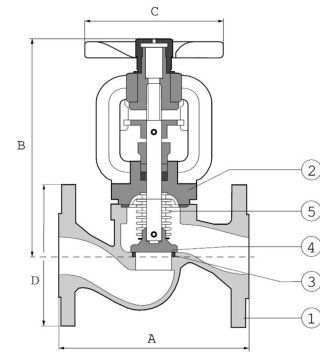
Pos	Component	Material
1	Body	Ductile iron GJS-400-18 (GGG40.3)
2	Bonnet	Ductile iron GJS-400-18 (GGG40.3)
3	Seat	Martensitic stainless steel (1.4021)
4	Globe	Martensitic stainless steel (1.4021)
5	Bellows seal	Acid resistant stainless steel 316Ti (1.4571)



### Measurements and weight

**Dimension range (DN): 15 - 200**

Item number	A	B	C	D	Net weight (kg)
1028B15	130	178	125	95	3.2
1028B20	150	178	125	105	3.9
1028B25	160	193	125	115	4.85
1028B32	180	201	125	140	6.5
1028B40	200	224	150	150	9
1028B50	230	228	150	165	11
1028B65	290	270	175	185	15.8
1028B16-65	290	270	175	185	15.8
1028B80	310	295	200	200	24
1028B100	350	325	250	220	35
1028B16-100	350	325	250	220	36
1028B125	400	380	300	250	49
1028B16-125	400	380	300	250	49
1028B150	480	427	400	285	76



Item number	A	B	C	D	Net weight (kg)
1028B16-150	480	427	400	285	76
1028B200	600	569	500	340	130.5

## Function and design

Cone valve with bellows that prevents the medium from coming into contact with the packing box. This eliminates the risk of packing box leakage. The valve has external spindle threading, a non-rising handle, and a pointer device that indicates the open/closed position. Maximum working pressure and temperature are as follows: 25.0 bar at 10°C, 25.0 bar at 120°C, 24.3 bar at 150°C, 23.0 bar at 200°C, 21.8 bar at 250°C, 20.0 bar at 300°C, and 17.5 bar at 350°C.

## Technical data

**Main material:** Ductile iron

**Main material code:** Ductile iron GJS-400-18 (GGG40.3)

**Included materials:** Stainless steel, Ductile iron

**Included material code:** Martensitic stainless steel (1.4021), Ductile iron GJS-400-18 (GGG40.3)

**Temperature (°C):** -10 - 350

**PN:** 16 - 25

**Connection:** Flanged EN1092

**ETIM classification:** EC010120 - Globe valve

**BK04 code:** 20707 Mushroom valves

DN	15	20	25	32	40	50	65	80	100	125	150	200
KVS	5.9	7.4	13	18	30	41	79	115	181	225	364	725

## Installation and maintenance

**Flowdirection:** Uni-directional

**Possible mounting position:** Vertical, Horizontal

Flanges according to EN 1092-1, PN25. Can be mounted in any installation position except for downward facing. Vibrations in the pipe system should be avoided. The system should be thoroughly flushed before commissioning.

Please feel free to contact us

We answer your questions by e-mail and telephone. No question is too small, no challenge is too big. You are always welcome at Armatec.

[info@armatec.se](mailto:info@armatec.se) | +46 31 89 01 00 | [www.armatec.se](http://www.armatec.se)

THE COMPANY'S MANAGEMENT SYSTEM  
IS CERTIFIED BY DNV  
ISO 9001 • ISO 14001