

Supercal 5

Application Note



Mounting kit to assemble the Calculator on the Flowmeter

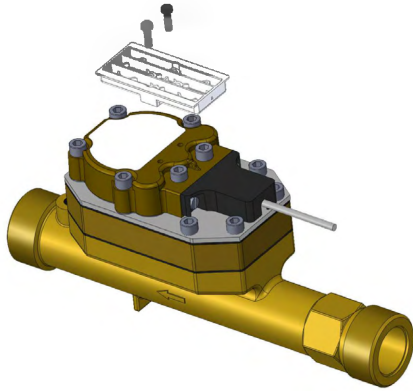
1.1 Introduction

One of the three mounting options available for the SC5, according to its manual specifications, is the direct mounting of the calculator on the flow meter sensor head.

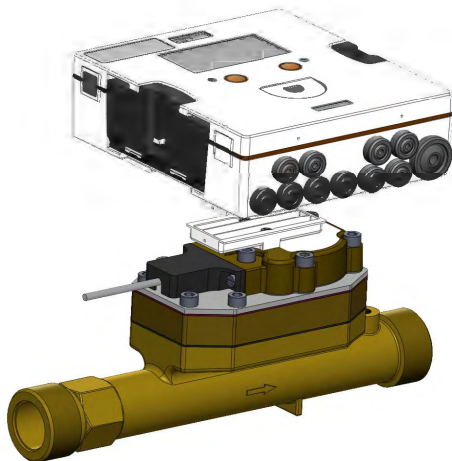
1.2 Application

For this purpose, Sontex has designed a special piece to be simply attached to the Flow meter head using two screws. This piece acts as a DIN type mounting bracket, where the calculator is then fastened to ensure stability and robustness of the mounting. This mounting kit should be ordered separately (Art-N°: SC5X00050).

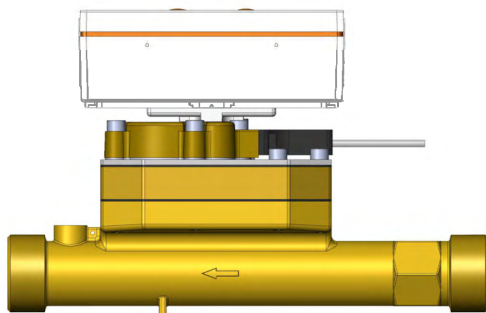
1.3 Installation



First fix the piece of plastic specially designed for this purpose on the sensor head of the Flow meter using the two delivered screws



Subsequently fix the calculator on the plastic part with the help of the DIN mounting clip of the calculator



The fastening is now complete

CE Conformity

according to Directive MID 2014/32/EU
according to RED 2014/53/EU

Technical Support

For technical support, please contact your local Sontex agent or Sontex SA directly.

Sontex Hotline

support@sontex.ch, +41 32 488 30 04

Specifications are subject to change without notice.