



Product information

Automatic air separator with dirt protection mechanism.

Dimension range (DN)	10 - 15
PN	10
Temperature (°C)	0 - 180
Main material	Brass



Area of use

Exvoid T for automatic air separation of heating and cooling systems where the fluid is water or glycol. Can be mounted in systems with a mix of water/glycol and water/ethanol, if control and oversight is increased. The valve should not be used in systems with a mix of water/salts. Separates effective microbubbles.

Tender text

PSF.1412 Automatic air deflectors.

Automatic air separator AT 8060-..., Exvoid T, brass, PN10, with a large air chamber and dirt protection mechanism. Provided with a shut-off valve AT 3640-...

Quality assurance

PED 2014/68/EU

Fulfills AFS 1994:4 §8 standards and should not be CE-marked. All extractors are tightness tested.

Product marking: Exvoid T is marked with dimension, max. operation pressure, type number and manufacturer's name.

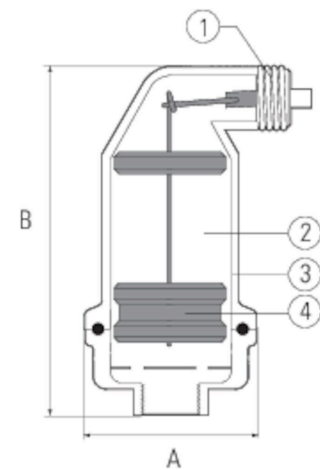
Energy and environment declaration

SundaHus: C-

Subject to notification under REACH

Item number	SCIP number
	8894d6b8-7bae-4950-b745-14a80be0e50f
	8894d6b8-7bae-4950-b745-14a80be0e50f
	8894d6b8-7bae-4950-b745-14a80be0e50f
	8894d6b8-7bae-4950-b745-14a80be0e50f

Pos	Component	Material
-----	-----------	----------



Measurements and weight

Dimension range (DN): 10 - 15

DN	A	B	C
10	63	132	77.5
15	63	122	78

Function and design

The releasing valve has a high resistance to contamination and maintenance costs can be minimized since large air bubbles are continuously removed both quickly and automatically.

When air enters the float body, the liquid level sinks and the float drops. When the float, that is connected to the separation mechanism via a bar, reaches a certain level, the mechanism is affected and air can flow out in the free. When the float rises again, the mechanism closes.

The large volume of the air chamber and special design makes the liquid level never reach the drainage mechanism, even if the air in the chamber is compressed to 10 bar.

An automatic air vent diverts only free gas bubbles. Gas that is dissolved in the fluid, due to high pressure and/or low temperature, can not be diverted. Can suck air in case of negative pressure. It will be a problem when system pressure is incorrect. But has an advantage in decomposing the system.

Technical data

Main material: Brass

Included materials: Brass

Temperature (°C): 0 - 180

PN: 10

Connection: Internal thread ISO 228-1 (G, BSPP), External thread ISO 228-1 (G, BSPP)

ETIM classification: EC010117 - De-aerator (automatic)

Comment to colour: Brass untreated

Installation and maintenance

Mounted in high spots or elsewhere that air can occur. For the right feature the arrestor needs to be mounted vertical with the connection downwards. Must be installed in places where the arrestor is available for inspection and possible cleaning. For access without interference, the AT 3640 ball valve, with DN equal to the arrestor, is mounted as a shutdown.

The automatic air conditioner is basically maintenance free but should be checked and possibly cleaned periodically for safe operation.

Please feel free to contact us

We answer your questions by e-mail and telephone. No question is too small, no challenge is too big. You are always welcome at Armatec.

info@armatec.se | +46 31 89 01 00 | www.armatec.se

THE COMPANY'S MANAGEMENT SYSTEM
IS CERTIFIED BY DNV
ISO 9001 • ISO 14001