



## Product information

Protective module type CA with threaded connection for liquid category 3 according to SS-EN 1717. Protective device in lead-free brass with integrated dirt filter for compact construction.

Dimension range (DN)	15 - 20
PN	10
Temperature (°C)	0 - 65
Main material	Brass



## Area of use

Backflow prevention in the form of a complete protection module is used to protect drinking water systems internally and externally against siphon backflow and pressure backflow. The protection cover is suitable for liquids up to category 3. The backflow prevention is of type CA in accordance with SSEN 1717. It is used, for example, when filling heating and cooling systems.

## Tender text

### **PSG.260 Composite backflow prevention devices**

Backflow prevention device AT 1169-...M with pressure-controlled intermediate chamber. Protective module type CA for maximum protection coverage liquid category 3 according to SS-EN 1717.

## Quality assurance

Backflow prevention device AT 1169-...M with pressure-controlled intermediate chamber. Protective module type CA for maximum protection coverage liquid category 3 according to SS-EN 1717.

**Product marking - Backflow preventer AT 1169-:** Manufacturer, DN, PN, flow direction, manufacturer and manufacturing number.

**Product marking - Ball valve AT 3700-:** Brand, PN and DN.

## Energy and environment declaration

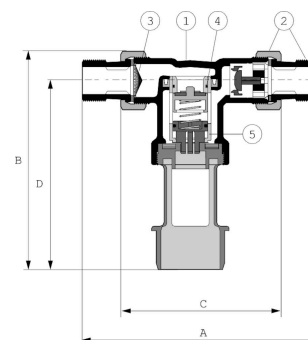
**Product Bvb:** Avoided

**Product BVB ID:** 8699

**SundaHus:** C-

**Subject to notification under REACH**

Pos	Component	Material
-----	-----------	----------



Pos	Component	Material
-----	-----------	----------

## Measurements and weight

**Dimension range (DN):** 15 - 20

DN	A
15	225
20	230

## Function and design

Complete protection module.

## Technical data

**Main material:** Brass

**Included materials:** Brass

**Temperature (°C):** 0 - 65

**PN:** 10

**Connection:** Internal thread ISO 228-1 (G, BSPP)

**ETIM classification:** EC004501 - Backflow preventer

**MagiCAD link:** <https://redir.magiccloud.com/product/71793abf-0418-4da7-a6ab-ca0a9cc9c502>

## Installation and maintenance

**Possible mounting position:** Horizontal

See instruction manual.

Please feel free to contact us

We answer your questions by e-mail and telephone. No question is too small, no challenge is too big. You are always welcome at Armatec.

[info@armatec.se](mailto:info@armatec.se) | +46 31 89 01 00 | [www.armatec.se](http://www.armatec.se)

THE COMPANY'S MANAGEMENT SYSTEM  
IS CERTIFIED BY DNV  
ISO 9001 • ISO 14001