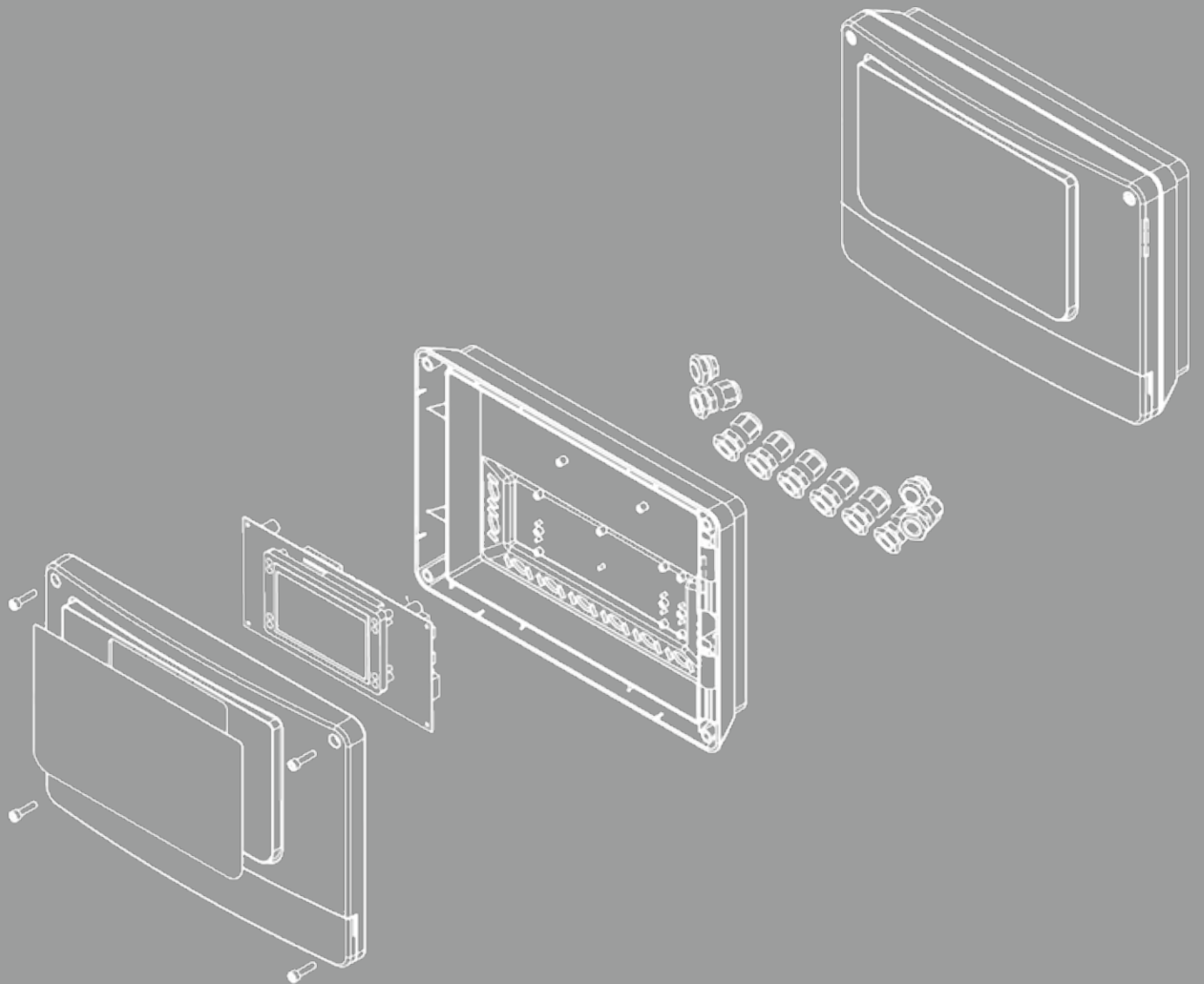




Thinking solutions.

Service- & Spare Parts Catalogue — International



Valid from: 01/01/2024 (Version 1.8.4)

Content

Expansion vessels

Reflex	p. 4
Reflex G	p. 4

Refix	p. 10
Refix DT	p. 10
Refix DE	p. 15
Refix HW	p. 22

Pressurisation systems

Reflex Control	p. 24
Reflex Control Basic	p. 24
Reflex Control Touch	p. 25

Reflexomat	p. 28
Reflexomat Silent Compact Smart from 02/2024	p. 28
Reflexomat Silent Compact from 07/2017–01/2024	p. 29
Reflexomat Compact until 06/2017	p. 30
Reflexomat	p. 31
Reflexomat primary vessel RG 200 – 5,000 liters / 6 bar	p. 33
Reflexomat primary vessel RG 350 – 5,000 liters / 10 bar	p. 34
Reflexomat secondary vessel RF 200 – 5,000 liters / 6 bar	p. 35
Reflexomat secondary vessel RF 350 – 5,000 liters / 10 bar	p. 36

Variomat	p. 37
Variomat	p. 37
Variomat primary vessel VG 200 – 5,000 liters / 6 bar	p. 39
Variomat secondary vessel VF 200 – 5,000 liters / 6 bar	p. 40

Variomat Giga	p. 41
Variomat Giga	p. 41
Variomat Giga primary vessel GG 1,000 – 5,000 liters / 6 bar	p. 42
Variomat Giga secondary vessel GF 1,000 – 5,000 liters / 6 bar	p. 43

Servimat	p. 44
Servimat M	p. 44
Servimat L	p. 45

Water make-up systems & water treatment

Fillset	p. 47
Fillset	p. 47
Fillset Compact	p. 48

Fillcontrol	p. 50
Fillcontrol Plus	p. 50
Fillcontrol Plus Compact	p. 51
Fillcontrol Auto	p. 52
Fillcontrol Auto Compact	p. 53

Fillsoft	p. 54
Fillsoft I	p. 54
Fillsoft II	p. 55

Fillmeter	p. 56
Fillguard	p. 57

Degassing systems & separation technology

Servitec	p. 60
Servitec Mini	p. 60
Servitec S	p. 61
Servitec 25/30	p. 63
Servitec 35 – 95	p. 64
Servitec 35 – 60 from 2020	p. 65
Servitec 75 – 95 Buildyear 2020	p. 66
Servitec 120 Buildyear 2020	p. 67

Twist brass separators	p. 68
Exvoid Twist	p. 68
Exdirt Twist	p. 69
Extwin Twist	p. 70

Hot water storage tanks & heat exchangers

Hot water storage tanks	p. 72
Storatherm Aqua	p. 72
Storatherm Aqua Solar	p. 80
Storatherm Aqua Compact	p. 88
Storatherm Aqua Heat Pump	p. 92
Storatherm Aqua Load	p. 98
Storatherm Aqua Inox	p. 100

Buffer tanks	p. 101
Storatherm Heat Combi	p. 101
Storatherm Heat	p. 102

Electric heating elements & finned tube heat exchangers	
EFHR, EEHR & RWT	p. 106

Heat exchangers	p. 107
Longtherm brazed with thread connections – manufactured until & incl. 2018	p. 107
Longtherm brazed with flange connections – manufactured until & incl. 2018	p. 109
Longtherm thermal insulation – manufactured until & incl. 2018	p. 111
Longtherm connection variants & bracket – manufactured until & incl. 2018	p. 112

Fresh Water Stations

Reflex Hydroflow XS–XL	p. 114
------------------------	--------

Additional information

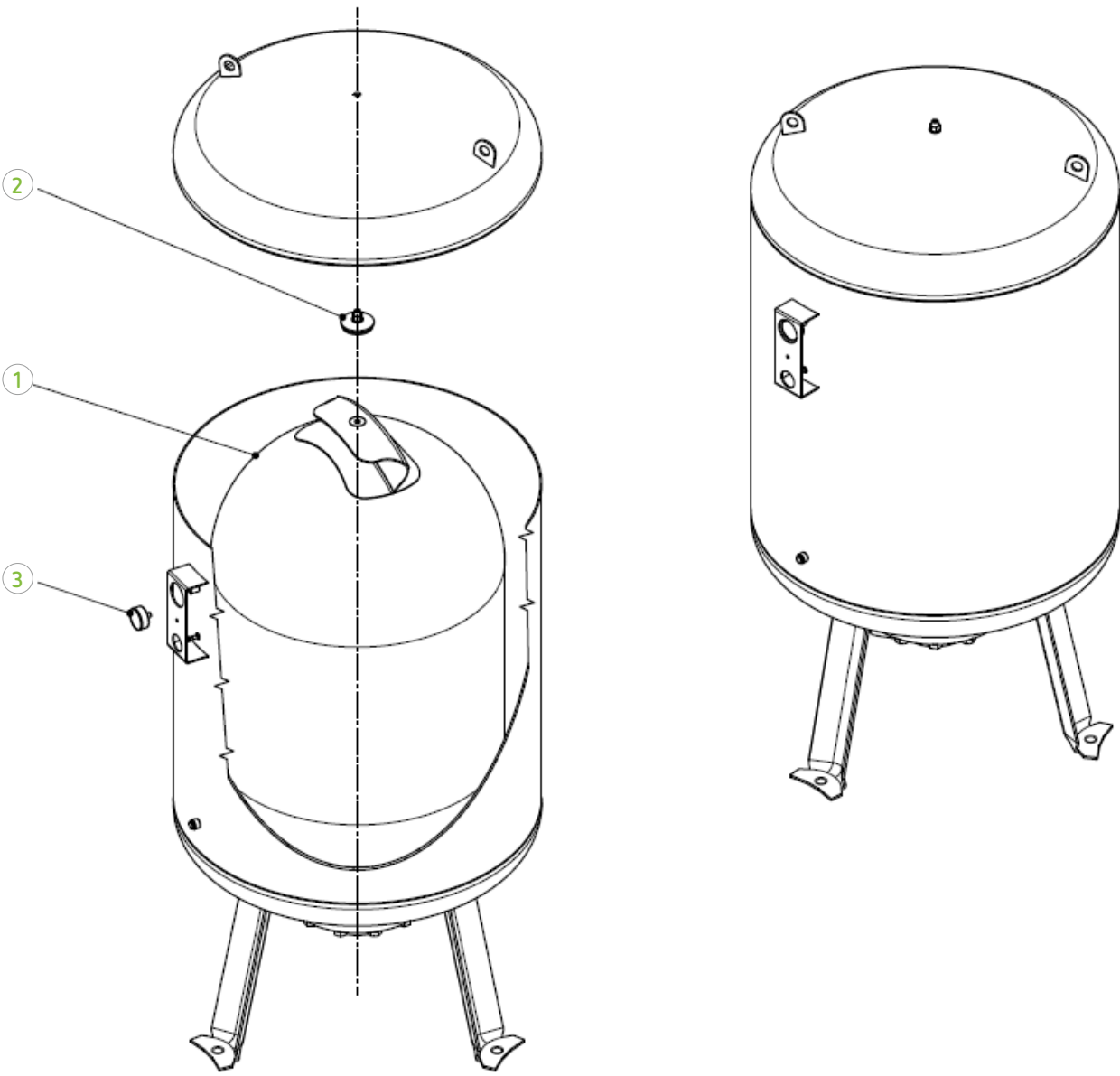
Glossary	p. 117
----------	--------

Expansion vessels



Reflex

Reflex G



Exemplary representation using the example of G 1,000

Content/services

Expansion vessels

Pressurisation systems

Water make-up systems & water treatment

Degassing systems & separation technology

Hot water storage tanks & heat exchangers

Fresh Water Stations

Reflex G 100 – 500 liters / 6 bar, 10 bar, 16 bar



G 100 – 500 liters

Vessel	Item	Art. No.	Article name	Note
G 100	1	7070796	Bladder SET G 100 l	
	2	7314663	Suspension D 82 ½" (without hole)	
	3	9116864	Pressure gauge, 6 bar	
		9116862	Pressure gauge, 10 bar	
		9116888	Pressure gauge, 16 bar	
	4	7306260	Water connection blank flange 1" /PN 10 with strainer	6 bar, 10 bar
		7502025	Water connection G 100 DN 65 /PN 16	16 bar
G 200	1	7070813	Bladder SET G 200 – 400 l	
	2	7314663	Suspension D 82 ½" (without hole)	
	3	9116864	Pressure gauge, 6 bar	
		9116862	Pressure gauge, 10 bar	
		9116888	Pressure gauge, 16 bar	
	4	7521557	Water connection DE/S 200 – 500 G 1 ¼" /PN 10	6 bar, 10 bar
		7502030	Water connection G 200 – 300 DN 25 /PN 16	16 bar
G 300	1	7070813	Bladder SET G 200 – 400 l	
	2	7314663	Suspension D 82 ½" (without hole)	
	3	9116864	Pressure gauge, 6 bar	
		9116862	Pressure gauge, 10 bar	
		9116888	Pressure gauge, 16 bar	
	4	7502020	Water connection G 400 – 1,000 G 1" /PN 6	6 bar
		7521557	Water connection DE/S 200 – 500 G 1 ¼" /PN 10	10 bar
	7502035	Water connection G 400 – 1,000 DN 40 /PN 16	16 bar	
G 400	1	7070813	Bladder SET G 200 – 400 l	
	2	7314663	Suspension D 82 ½" (without hole)	
	3	9116864	Pressure gauge, 6 bar	
		9116862	Pressure gauge, 10 bar	
		9116888	Pressure gauge, 16 bar	
	4	7502020	Water connection G 400 – 1,000 G 1" /PN 6	6 bar
		7521557	Water connection DE/S 200 – 500 G 1 ¼" /PN 10	10 bar
	7502035	Water connection G 400 – 1,000 DN 40 /PN 16	16 bar	
G 500	1	7070346	Bladder SET G/DE 400/500	
	2	7521590	Suspension D 82 M 16 × 50 (without hole)	
	3	9116864	Pressure gauge, 6 bar	
		9116862	Pressure gauge, 10 bar	
		9116888	Pressure gauge, 16 bar	
	4	7502020	Water connection G 400 – 1,000 G 1" /PN 6	6 bar
		7521557	Water connection DE/S 200 – 500 G 1 ¼" /PN 10	10 bar
	7502035	Water connection G 400 – 1,000 DN 40 /PN 16	16 bar	

Reflex G 600 – 1,000 liters / 6 bar, 10 bar, 16 bar



G 600 – 1,000 (Ø740) liters

Vessel	Item	Art. No.	Article name	Note
G 600	1	7070794	Bladder SET G 600 l	
	2	7521590	Suspension D 82 M 16 × 50 (without hole)	
	3	9116864	Pressure gauge, 6 bar	
		9116862	Pressure gauge, 10 bar	
		9116888	Pressure gauge, 16 bar	
	4	7502020	Water connection G 400 – 1,000 G 1" / PN 6	6 bar
		7314645	Water connection DE/S 200 – 500 G 1 1/4" / PN 10	10 bar
		7502035	Water connection G 400 – 1,000 DN 40 / PN 16	16 bar
G 800	1	7070156	Bladder SET G 800 l	from 2007
	2	7521590	Suspension D 82 M 16 × 50 (without hole)	
	3	9116864	Pressure gauge, 6 bar	
		9116862	Pressure gauge, 10 bar	
		9116888	Pressure gauge, 16 bar	
	4	7502020	Water connection G 400 – 1,000 G 1" / PN 6	6 bar
		7314645	Water connection DE/S 200 – 500 G 1 1/4" / PN 10	10 bar
		7502035	Water connection G 400 – 1,000 DN 40 / PN 16	16 bar
G 1,000 (Ø 740)	1	7070157	Bladder SET G 1,000 l / 740	from 2007
	2	7521590	Suspension D 82 M 16 × 50 (without hole)	
	3	9116864	Pressure gauge, 6 bar	
		9116862	Pressure gauge, 10 bar	
		9116888	Pressure gauge, 16 bar	
	4	7502020	Water connection G 400 – 1,000 G 1" / PN 6	6 bar
		7314645	Water connection DE/S 200 – 500 G 1 1/4" / PN 10	10 bar
		7502035	Water connection G 400 – 1,000 DN 40 / PN 16	16 bar

Reflex G 1,000 (Ø1,000) – 2,000 liters / 6 bar, 10 bar, 16 bar



G 1,000 (Ø1,000) – 2,000 liters

Vessel	Item	Art. No.	Article name	Note
G 1,000 (Ø 1,000)	1	7070132	Bladder SET G 1,000/1,500l/1,000	from 03/2003
	2	7521590	Suspension D 82 M 16 × 50 (without hole)	
	3	9116864	Pressure gauge, 6 bar	
		9116854	Pressure gauge, 10 bar	
		9116888	Pressure gauge, 16 bar	
	4	7526640	Water connection (V-1,500) DN 65 / PN 6	6 bar
7526040		Water connection DN 250 / DN 65 / PN 16	10 bar, 16 bar	
G 1,500	1	7070132	Bladder SET G 1,000/1,500l/1,000	from 02/2003
	2	7521590	Suspension D 82 M 16 × 50 (without hole)	
	3	9116866	Pressure gauge, 6 bar	
		9116854	Pressure gauge, 10 bar	
		9110351	Pressure gauge, 16 bar	
	4	7526635	Water connection WA 250 / DN 65 / PN 6	6 bar
7526040		Water connection DN 250 / DN 65 / PN 16	10 bar, 16 bar	
G 2,000	1	7070130	Bladder SET G 2,000 l	from 03/2003
	2	7521590	Suspension D 82 M 16 × 50 (without hole)	
	3	9116866	Pressure gauge, 6 bar	
		9116854	Pressure gauge, 10 bar	
		9110351	Pressure gauge, 16 bar	
	4	7526635	Water connection DN 250 / DN 65 / PN 6	6 bar
7526040		Water connection DN 250 / DN 65 / PN 16	10 bar, 16 bar	

Reflex G 3,000 – 5,000 liters / 6 bar, 10 bar, 16 bar



G 1,000 – 5,000 liters

Vessel	Item	Art. No.	Article name	Note
G 3,000	1	7070316	Bladder SET RG/RF/GG/GF/VG/VF G 3,000 l	from 04/2003
	2	7521590	Suspension D 82 M 16 × 50 (without hole)	2 pieces
	3	9116866	Pressure gauge, 6 bar	
		9116854	Pressure gauge, 10 bar	
		9110351	Pressure gauge, 16 bar	
	4	7526635	Water connection DN 250/DN 65 /PN 6	6 bar
	7526040	Water connection DN 250/DN 65 /PN 16	10 bar, 16 bar	
G 4,000	1	7070318	Bladder SET RG/RF/GG/GF/VG/VF G 4,000 l	from 04/2003
	2	7521590	Suspension D 82 M 16 × 50 (without hole)	2 pieces
	3	9111523	Pressure gauge, 6 bar	
		9116854	Pressure gauge, 10 bar	
		9110351	Pressure gauge, 16 bar	
	4	7526635	Water connection DN 250/DN 65 /PN 6	6 bar
	7526040	Water connection DN 250/DN 65 /PN 16	10 bar, 16 bar	
G 5,000	1	7070319	Bladder SET RG/RF/GG/GF/VG/VF G 5,000 l	from 2003
	2	7521590	Suspension D 82 M 16 × 50 (without hole)	2 pieces
	3	9116866	Pressure gauge, 6 bar	
		9116854	Pressure gauge, 10 bar	
		9110351	Pressure gauge, 16 bar	
	4	7526635	Water connection DN 250/DN 65 /PN 6	6 bar
	7526040	Water connection DN 250/DN 65 /PN 16	10 bar, 16 bar	

Reflex NGV from 04/2024

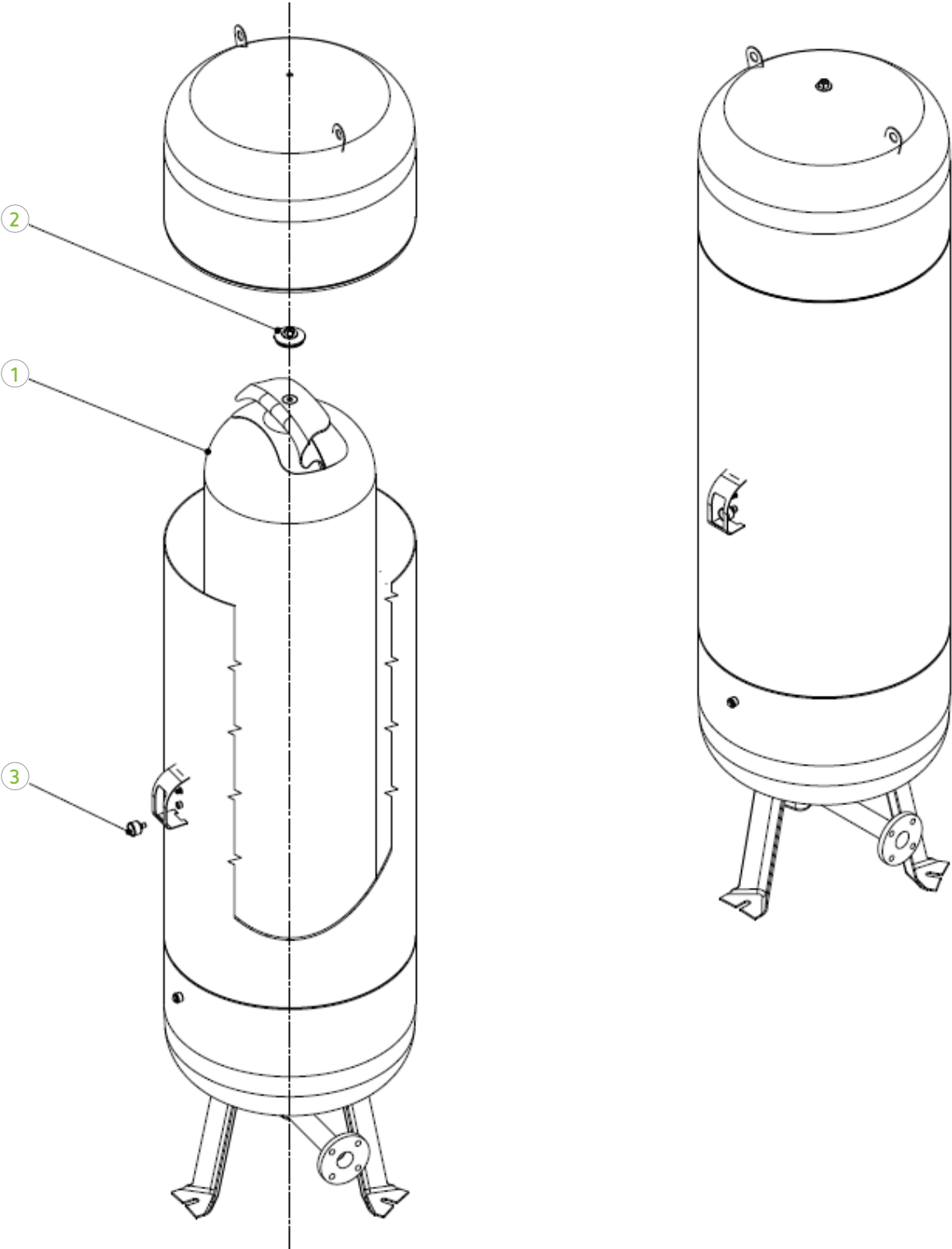


NGV 50 – 140 litres

Vessel	Art. No.	Article name
NGV 50	7306270	Water connection NGV 50–140 E
NGV 80	7306270	Water connection NGV 50–140 E
NGV 100	7306270	Water connection NGV 50–140 E
NGV 140	7306270	Water connection NGV 50–140 E

Refix

Refix DT



Exemplary representation using the example of DT 1,000

Reflex DT 60 – 500 liters / 10 bar, 16 bar



DT 60 – 500 liters

Vessel	Item	Art. No.	Article name	Note
DT 60	1	7070121	Bladder SET HW/DE/DT 60/80 l	
	2	7314663	Suspension D 82 1/2" (without hole)	
	3	9116862	Pressure gauge, 10 bar	
	4	7307040	Blind flange WA DT 60 – 100, D 160 × 46.5, G 1 1/4"	
DT 80	1	7070121	Bladder SET HW/DE/DT 60/80 l	
	2	7314663	Suspension D 82 1/2" (without hole)	
	3	9116862	Pressure gauge, 10 bar	
		9116888	Pressure gauge, 16 bar	
	4	7307040	Blind flange WA DT 60 – 100, D 160 × 46.5, G 1 1/4"	10 bar
		7365010	Water connection Duo DT L450 DN 50/PN 16	10 bar, 16 bar
		7365011	Water connection Duo DT L450 DN 65/PN 16	10 bar, 16 bar
DT 100	1	7070795	Bladder SET HW/DE/DT 100 l	
	2	7314663	Suspension D 82 1/2" (without hole)	
	3	9116862	Pressure gauge, 10 bar	
		9116888	Pressure gauge, 16 bar	
	4	7307040	Blind flange WA DT 60 – 100, D 160 × 46.5, G 1 1/4"	10 bar
		7365010	Water connection Duo DT L450 DN 50/PN 16	10 bar, 16 bar
		7365011	Water connection Duo DT L450 DN 65/PN 16	10 bar, 16 bar
DT 200	1	7070814	Bladder SET DE/DT 200 – 400 l (with and without hole)	
	2	7314663	Suspension D 82 1/2" (without hole)	
	3	9116862	Pressure gauge, 10 bar	
		9116888	Pressure gauge, 16 bar	
	4	7307241	Water connection DT 200 – 500, D 260 × 56.5 G 1 1/4"	10 bar
		7307240	Water connection DT 200 – 500, D 260 × 56.5 G 1 1/4"	16 bar
		7365110	Water connection Duo DT L 610 DN 50/PN 16	16 bar
	7365111	Water connection Duo DT L 610 DN 65/PN 16	16 bar	
	7365112	Water connection Duo DT L 610 DN 80/PN 16	16 bar	

Reflex DT 60 – 500 liters / 10 bar, 16 bar



DT 60 – 500 liters

Vessel	Item	Art. No.	Article name	Note
DT 300	1	7070814	Bladder SET DE/DT 200 – 400 l (with and without hole)	
	2	7314663	Suspension D 82 1/2" (without hole)	
	3	9116862	Pressure gauge, 10 bar	
		9116888	Pressure gauge, 16 bar	
	4	7307241	Water connection DT 200 – 500, D 260 × 56.5 G 1 1/4"	10 bar
		7307240	Water connection DT 200 – 500, D 260 × 56.5 G 1 1/4"	16 bar
		7365110	Water connection Duo DT L 610 DN 50/PN 16	16 bar
		7365111	Water connection Duo DT L 610 DN 65/PN 16	16 bar
	7365112	Water connection Duo DT L 610 DN 80/PN 16	16 bar	
DT 400	1	7070814	Bladder SET DE/DT 200 – 400 l (with and without hole)	
DT 400 (10 bar)	2	7314663	Suspension D 82 1/2"	
	3	9116862	Pressure gauge, 10 bar	
		9116888	Pressure gauge, 16 bar	
	4	7307241	Water connection DT 200 – 500, D 260 × 56.5 G 1 1/4"	10 bar
		7365110	Water connection Duo DT L 610 DN 65/PN 16	10 bar
		7365111	Water connection Duo DT L 610 DN 80/PN 16	10 bar
		7365112	Water connection Duo DT L 610 DN 80/PN 16	10 bar
		7365120	Water connection Duo DT L 650 DN 50/PN 16	16 bar
		7365130	Water connection Duo DT L 650 DN 65/PN 16	16 bar
	7365140	Water connection Duo DT L 650 DN 80/PN 16	16 bar	
DT 500	1	7070846	Bladder SET DE/DT 500 l	
	2	7521590	Suspension D 82 M 16 × 50 (without hole)	
	3	9116862	Pressure gauge, 10 bar	
		9116888	Pressure gauge, 16 bar	
	4	7307241	Water connection DT 200 – 500, D 260 × 56.5 G 1 1/4"	10 bar
		7365110	Water connection Duo DT L 610 DN 50/PN 16	10 bar
		7365111	Water connection Duo DT L 610 DN 65/PN 16	10 bar
		7365112	Water connection Duo DT L 610 DN 80/PN 16	10 bar
	7365120	Water connection Duo DT L 650 DN 50/PN 16	16 bar	
	7365130	Water connection Duo DT L 650 DN 65/PN 16	16 bar	
	7365140	Water connection Duo DT L 650 DN 80/PN 16	16 bar	

Reflex DT 600 – 1,000 (Ø 740) liters / 10 bar, 16 bar



DT 600 – 1,000 (Ø 740) liters

Vessel	Item	Art. No.	Article name	Note
DT 600	1	7070800	Bladder SET DT/DE/G 600 l	from 2006
	2	7521590	Suspension D 82 M 16 × 50 (without hole)	
	3	9116862	Pressure gauge, 10 bar	
		9116888	Pressure gauge, 16 bar	
	4	7365120	Water connection Duo DT L 650 DN 50/PN 16	10 bar, 16 bar
		7365130	Water connection Duo DT L 650 DN 65/PN 16	10 bar, 16 bar
		7365140	Water connection Duo DT L 650 DN 80/PN 16	10 bar, 16 bar
DT 800	1	7070801	Bladder SET DT 800	from 2006
	2	7521590	Suspension D 82 M 16 × 50 (without hole)	
	3	9116862	Pressure gauge, 10 bar	
		9116888	Pressure gauge, 16 bar	
	4	7365120	Water connection Duo DT L 650 DN 50/PN 16	10 bar, 16 bar
		7365130	Water connection Duo DT L 650 DN 65/PN 16	10 bar, 16 bar
		7365140	Water connection Duo DT L 650 DN 80/PN 16	10 bar, 16 bar
DT 1,000 (Ø 740)	1	7070802	Bladder SET DT 1,000	from 2006
	2	7521590	Suspension D 82 M 16 × 50 (without hole)	
	3	9116862	Pressure gauge, 10 bar	
		9116888	Pressure gauge, 16 bar	
	4	7365120	Water connection Duo DT L 650 DN 50/PN 16	10 bar, 16 bar
		7365130	Water connection Duo DT L 650 DN 65/PN 16	10 bar, 16 bar
		7365140	Water connection Duo DT L 650 DN 80/PN 16	10 bar, 16 bar

Reflex DT 1,000 (Ø1,000) – 3,000 liters / 10 bar, 16 bar



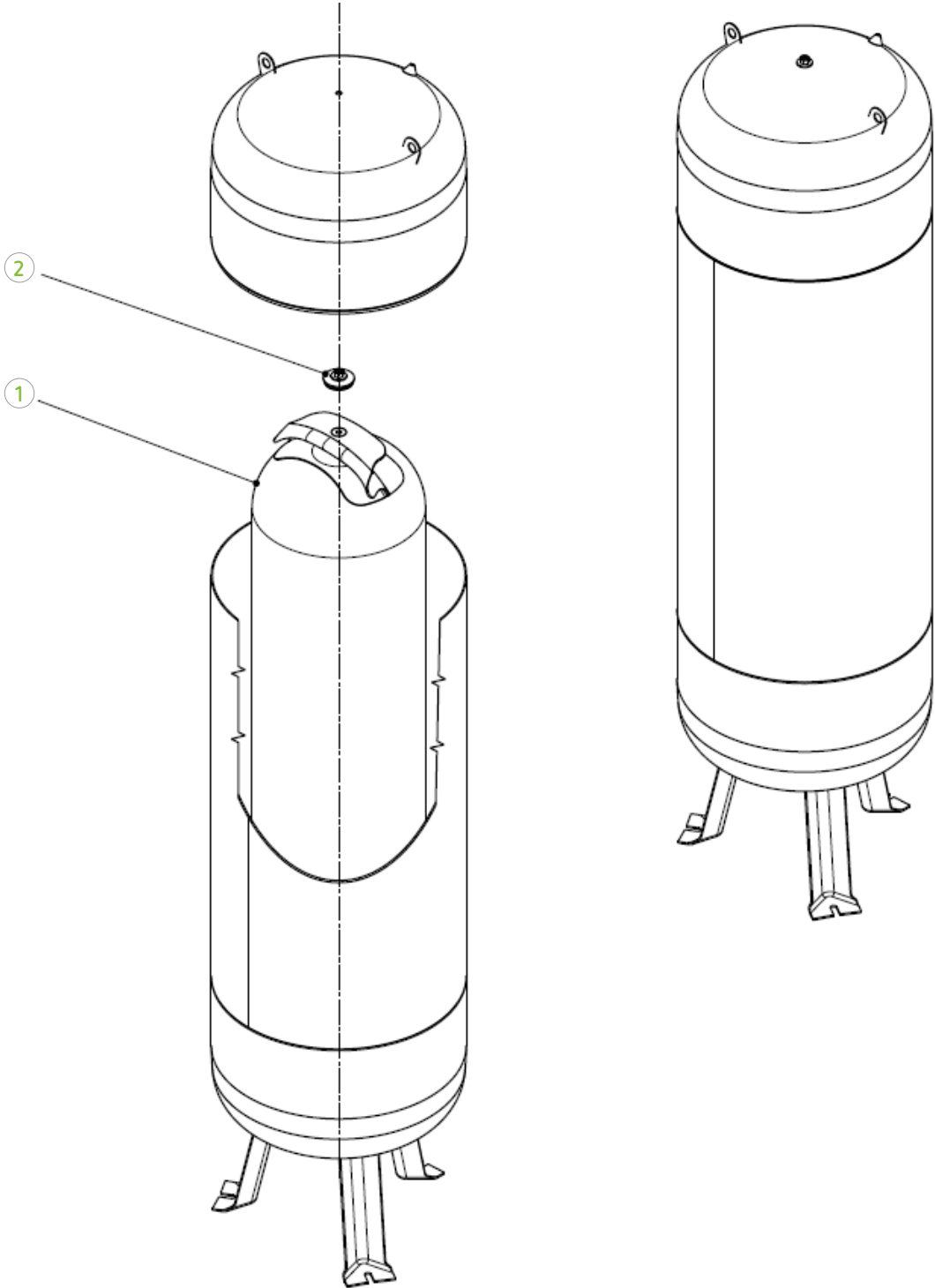
DT 1,000 (Ø1,000) – 2,000 liters



DT 3,000 liters

Vessel	Item	Art. No.	Article name	Note
DT 1,000 (Ø 1,000)	1	7070140	Bladder SET DIT 1001	
	2	7521590	Suspension D 82 M 16 × 50 (without hole)	
	3	9110361	Pressure gauge, 10 bar	
		9116888	Pressure gauge, 16 bar	
	4	7320150	Water connection DN 65/DN 65 DUO/PN 16	10 bar, 16 bar
		7330100	Water connection DN 65/DN 80 DUO/PN 16	10 bar, 16 bar
		7320170	Water connection DN 65/DN 100 DUO/PN 16	10 bar, 16 bar
DT 1,500	1	7070140	Bladder SET DIT 1001	
	2	7521590	Suspension D 82 M 16 × 50 (without hole)	
	3	9110361	Pressure gauge, 10 bar	
		9116888	Pressure gauge, 16 bar	
	4	7320150	Water connection DN 65/DN 65 DUO/PN 16	10 bar, 16 bar
		7330100	Water connection DN 65/DN 80 DUO/PN 16	10 bar, 16 bar
		7320170	Water connection DN 65/DN 100 DUO/PN 16	10 bar, 16 bar
DT 2,000	1	7070058	Bladder SET DIT 5 2,000	
	2	7521590	Suspension D 82 M 16 × 50 (without hole)	
	3	9110361	Pressure gauge, 10 bar	
		9116888	Pressure gauge, 16 bar	
	4	7320150	Water connection DN 65/DN 65 DUO/PN 16	10 bar, 16 bar
		7330100	Water connection DN 65/DN 80 DUO/PN 16	10 bar, 16 bar
		7320170	Water connection DN 65/DN 100 DUO/PN 16	10 bar, 16 bar
DT 3,000	1	7070317	Bladder SET 3,000 l	
	2	7521590	Suspension D 82 M 16 × 50 (without hole)	2 pieces
	3	9110361	Pressure gauge, 10 bar	
		9116888	Pressure gauge, 16 bar	
	4	7320150	Water connection DN 65/DN 65 DUO/PN 16	10 bar, 16 bar
		7330100	Water connection DN 65/DN 80 DUO/PN 16	10 bar, 16 bar
		7320170	Water connection DN 65/DN 100 DUO/PN 16	10 bar, 16 bar
	7526045	Water connection DN 250/DN 65/PN 16	10 bar, 16 bar	

Refix DE



Exemplary representation using the example of DE 1,000 (Ø740)

Reflex DE 50 – 500 liters / 10 bar, 16 bar



DE 50 – 500 liters

Vessel	Item	Art. No.	Article name	Note	
DE 50	1	9070030	Bladder DE 50		
	2	7306260	Blind flange WA DT 60 – 100		
DE 60	1	9070202	Bladder DE 60	from 04/2016	
	2	7314664	Suspension D 82 1/2" (with hole)	before 03/2016	
	3	7306260	Blind flange WA DT 60 – 100		
DE 80	1	7070121	Bladder SET HW/DE/DT 60/80 l		
	2	7314664	Suspension D 82 1/2" (with hole)		
	3	7306260	Blind flange WA DT 60 – 100	10 bar	
			7306250	Water connection complete DE 80 – 100 G 1"	16 bar
DE 100	1	7070795	Bladder SET HW/DE/DT 100 l		
	2	7314664	Suspension D 82 1/2" (with hole)		
	3	7306260	Blind flange WA DT 60 – 100	10 bar	
			7306250	Water connection complete DE 80 – 100 G 1"	16 bar
DE 200	1	7070814	Bladder SET DE/DT 200 – 400 l (with and without hole)		
	2	7314664	Suspension D 82 1/2" (with hole)		
	3	7521557	Water connection DE/S 200 – 500 G 1 1/4" /PN 10	10 bar	
			7314630	Water connection (complete) 200 – 300 DE /PN 16	16 bar
DE 300	1	7070814	Bladder SET DE/DT 200 – 400 l (with and without hole)		
	2	7314664	Suspension D 82 1/2" (with hole)		
	3	7521557	Water connection DE/S 200 – 500 G 1 1/4" /PN 10	10 bar	
			7314630	Water connection (complete) 200 – 300 DE /PN 16	16 bar
DE 400	1	7070814	Bladder SET DE/DT 200 – 400 l (with and without hole)		
	2	7314664	Suspension D 82 1/2" (with hole)		
	3	7521557	Water connection DE/S 200 – 500 G 1 1/4" /PN 10	10 bar	
			7314630	Water connection (complete) 200 – 300 DE /PN 16	16 bar
DE 500	1	7070846	Bladder SET DE/DT 500 l		
	2	7521590	Suspension D 82 M 16 x 50 (without hole)	from ca. 2015	
			7314663	Suspension D 82 1/2" (without hole)	before 2015
			7521557	Water connection DE/S 200 – 500 G 1 1/4" /PN 10	10 bar
DE 600			7314645	Water connection DE 600 – 1,000 l 270 DN 56 /G 1 1/2" /PN 16	16 bar
	1	7070800	Bladder SET DT/DE/G 600 l	from 2006	
	2	7521590	Suspension D 82 M 16 x 50 (without hole)		
			7314645	Water connection DE 600 – 1,000 l 270 DN 56 /G 1 1/2" /PN 16	10 bar, 16 bar

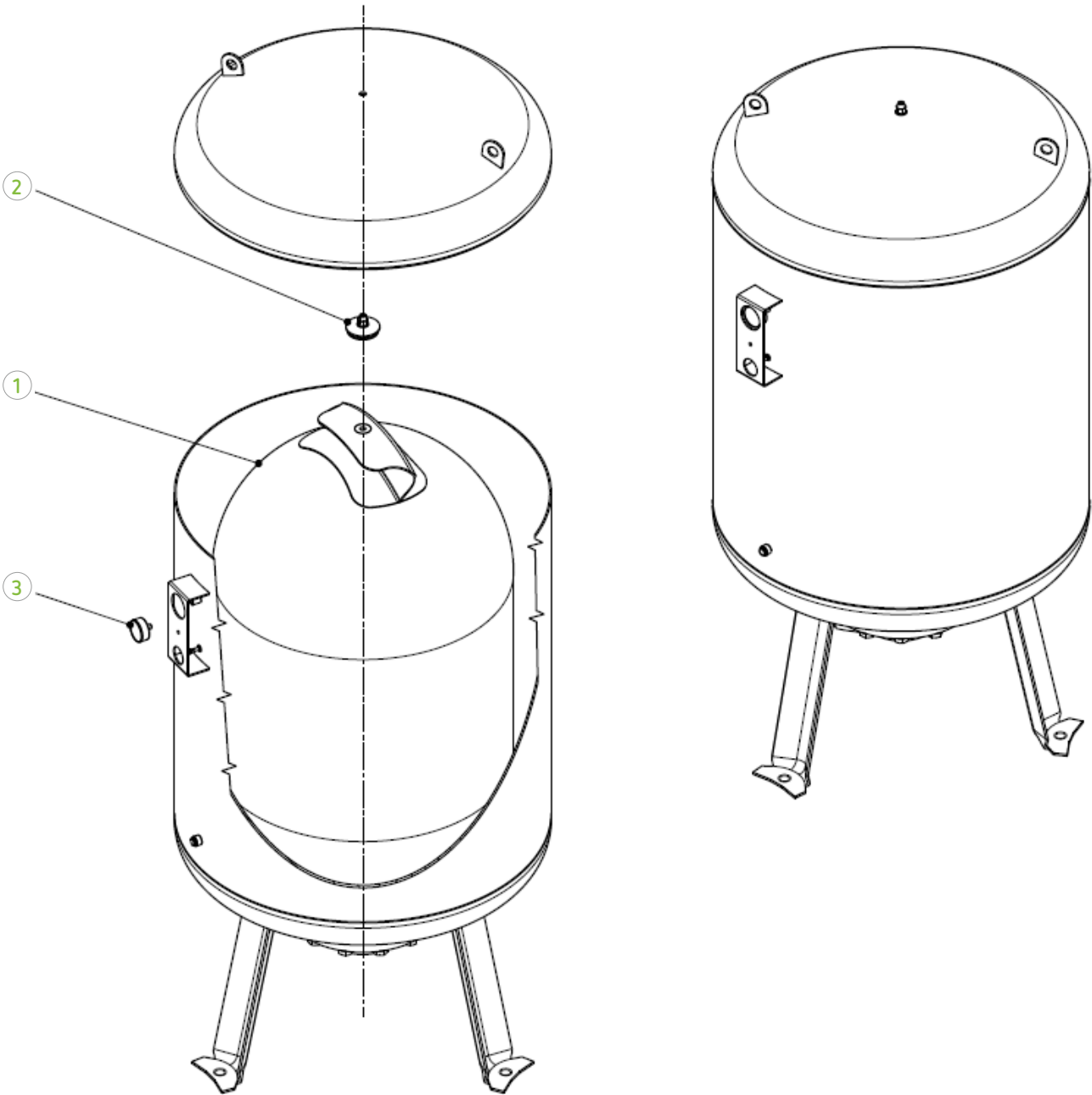
Reflex DE 600 – 1,000 (Ø 740) liters / 10 bar, 16 bar



DE 600 – 1,000 (Ø 740) liters

Vessel	Item	Art. No.	Article name	Note
DE 800	1	7070801	Bladder SET DT 800	from 2006
	2	7521590	Suspension D 82 M 16 × 50 (without hole)	
	3	7314645	Water connection DE 600 – 1,000 l 270 DN 56/G 1½" /PN 16	10 bar, 16 bar
DE 1,000 (Ø 740)	1	7070802	Bladder SET DT 1,000	from 2006
	2	7521590	Suspension D 82 M 16 × 50 (without hole)	
	3	7314645	Water connection DE 600 – 1,000 l 270 DN 56/G 1½" /PN 16	10 bar, 16 bar

Reflex DE



Exemplary representation using the example of DE 1,000 (Ø1,000)

Reflex DE 1,000 (Ø1,000) – 5,000 liters / 10 bar, 16 bar



DE 1,000 (Ø1,000) – 2,000 liters



DE 3,000 – 5,000 liters

Vessel	Item	Art. No.	Article name	Note
DE 1,000 (Ø 1,000)	1	7070140	Bladder SET DIT 1,001	from 1981
	2	7521590	Suspension D 82 M 16 × 50 (without hole)	
	3	9116854	Pressure gauge, 10 bar	
		9116855	Pressure gauge, 16 bar	
DE 1,500	1	7070140	Bladder SET DIT 1001	from 2003
	2	7521590	Suspension D 82 M 16 × 50 (without hole)	
	3	9116854	Pressure gauge, 10 bar	
		9116855	Pressure gauge, 16 bar	
DE 2,000	4	7526038	Water connection DN 250/DN 65/PN 16 – blue	
	1	7070058	Bladder SET DIT 5 2,000	from 1998
	2	7521590	Suspension D 82 M 16 × 50 (without hole)	
	3	9116854	Pressure gauge, 10 bar	
DE 3,000		9116855	Pressure gauge, 16 bar	
	4	7526038	Water connection DN 250/DN 65/PN 16 – blue	
	1	7070317	Bladder SET 3,000 l	from 03/2003
	2	7521590	Suspension D 82 M 16 × 50 (without hole)	2 pieces
DE 4,000	3	9116854	Pressure gauge, 10 bar	
		9116855	Pressure gauge, 16 bar	
	4	7526038	Water connection DN 250/DN 65/PN 16 – blue	
	1	7070334	Bladder SET DE 4,000	
DE 5,000	2	7521590	Suspension D 82 M 16 × 50 (without hole)	2 pieces
	3	9116854	Pressure gauge, 10 bar	
		9116855	Pressure gauge, 16 bar	
	4	7526038	Water connection DN 250/DN 65/PN 16 – blue	

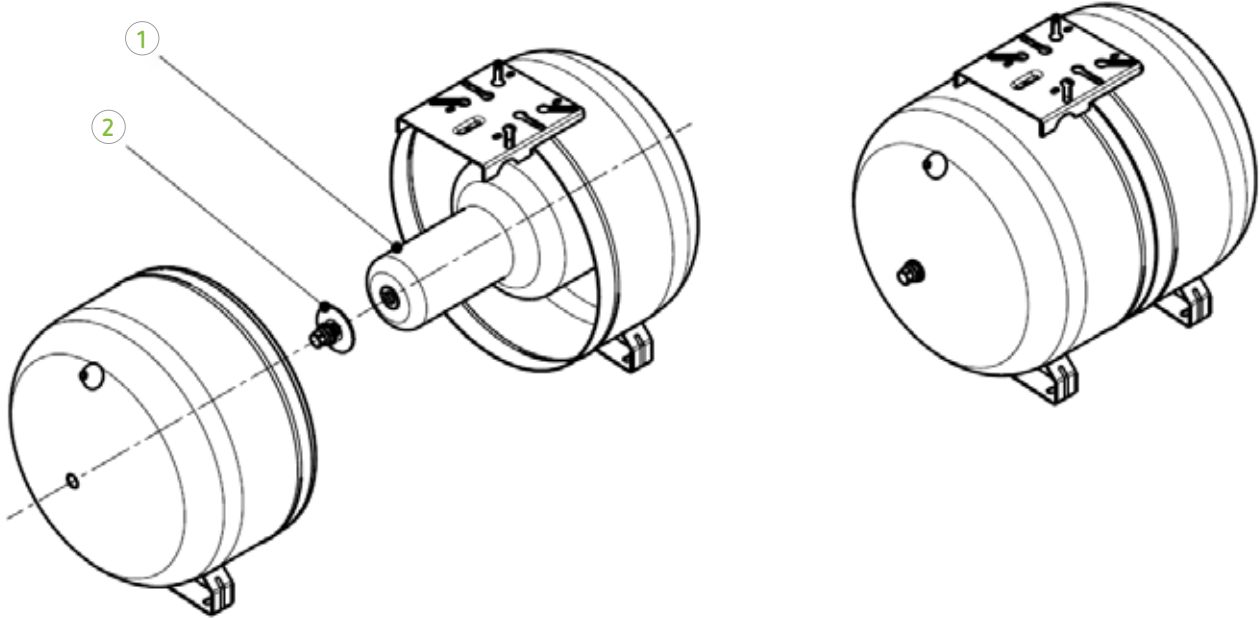
Reflex DE 80 – 3,000 liters / 25 bar

Vessel	Item	Art. No.	Article name	Note
DE 80	1	7070832	Bladder SET DT/DE 80 l 25/40b	
	2	7521590	Suspension D 82 M 16 × 50 (without hole)	
	3	9116863	Pressure gauge, 25 bar	
	4	7317655	Water connection DN 150/DN 50/PN 40 – blue	
DE 120	1	7070833	Bladder SET DT/DE 120 l 25/40b	
	2	7521590	Suspension D 82 M 16 × 50 (without hole)	
	3	9116863	Pressure gauge, 25 bar	
	4	7317655	Water connection DN 150/DN 50/PN 40 – blue	
DE 180	1	7070834	Bladder SET DT/DE 180 l 25/40b	
	2	7521590	Suspension D 82 M 16 × 50 (without hole)	
	3	9116863	Pressure gauge, 25 bar	
	4	7317655	Water connection DN 150/DN 50/PN 40 – blue	
DE 300	1	7070814	Bladder SET DE/DT 200 – 400 l (with and without hole)	
	2	7521590	Suspension D 82 M 16 × 50 (without hole)	
	3	9116863	Pressure gauge, 25 bar	
	4	7317655	Water connection DN 150/DN 50/PN 40 – blue	
DE 400	1	7070814	Bladder SET DE/DT 200 – 400 l (with and without hole)	
	2	7521590	Suspension D 82 M 16 × 50 (without hole)	
	3	9116863	Pressure gauge, 25 bar	
	4	7317655	Water connection DN 150/DN 50/PN 40 – blue	
DE 600	1	7070117	Bladder SET DIT 600	
	2	7521590	Suspension D 82 M 16 × 50 (without hole)	
	3	9116863	Pressure gauge, 25 bar	
	4	7321550	Water connection DN 200/DN 50/PN 40	
DE 800	1	7070118	Bladder SET DIT 800	
	2	7521590	Suspension D 82 M 16 × 50 (without hole)	
	3	9116863	Pressure gauge, 25 bar	
	4	7321550	Water connection DN 200/DN 50/PN 40	
DE 1,000 (Ø 740)	1	7070139	Bladder SET DIT 1000	
	2	7521590	Suspension D 82 M 16 × 50 (without hole)	
	3	9116863	Pressure gauge, 25 bar	
	4	7321550	Water connection DN 200/DN 50/PN 40	

Reflex DE 80 – 3,000 liters / 25 bar

Vessel	Item	Art. No.	Article name	Note
DE 1,000 (Ø 1,000)	1	7070140	Bladder SET DIT 1001	
	2	7521590	Suspension D 82 M 16 × 50 (without hole)	
	3	9116863	Pressure gauge, 25 bar	
	4	7321950	Water connection DN 250/DN 65/PN 40	
DE 1,500	1	7070140	Bladder SET DIT 1001	
	2	7521590	Suspension D 82 M 16 × 50 (without hole)	
	3	9116863	Pressure gauge, 25 bar	
	4	7321950	Water connection DN 250/DN 65/PN 40	
DE 2,000	1	7070058	Bladder SET DIT 5 2,000	
	2	7521590	Suspension D 82 M 16 × 50 (without hole)	
	3	9116863	Pressure gauge, 25 bar	
	4	7321950	Water connection DN 250/DN 65/PN 40	
DE 3,000	1	7070317	Bladder SET 3,000 l	
	2	7521590	Suspension D 82 M 16 × 50 (without hole)	2 pieces
	3	9116863	Pressure gauge, 25 bar	
	4	7321950	Water connection DN 250/DN 65/PN 40	

Refix HW



Exemplary representation using the example of HW 100

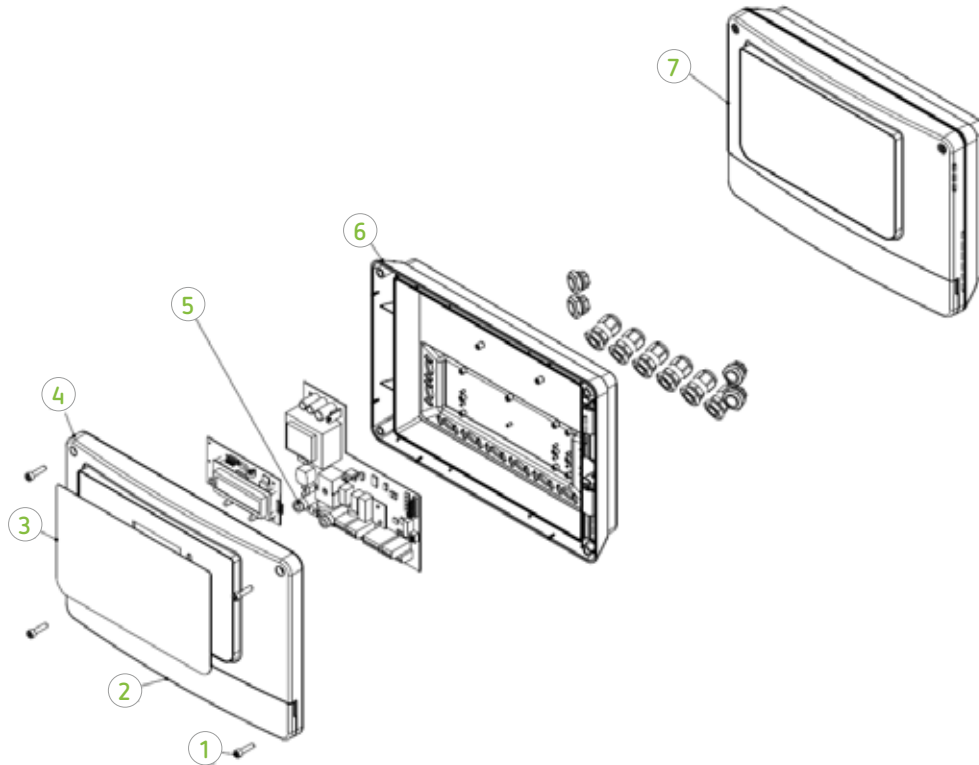
Vessel	Item	Art. No.	Article name
HW 50	1	9070030	Bladder HW 50
HW 60	1	9070202	Bladder HW 60
HW 80	1	7070121	Bladder SET HW/DE/DT 60/80 l
	2	7521590	Suspension D 82 M 16 × 50 (without hole)
HW 100	1	7070795	Bladder SET HW/DE/DT 100 l
	2	7521590	Suspension D 82 M 16 × 50 (without hole)

Pressurisation systems



Reflex Control

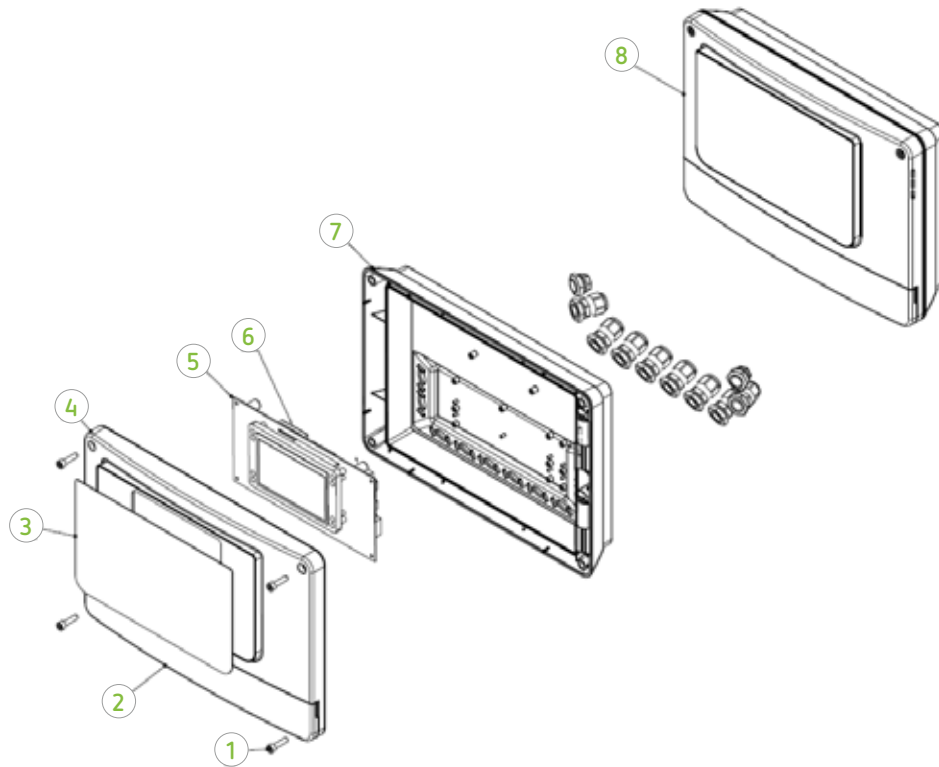
Reflex Control Basic



Item	Art. No.	Article name
1	9119905	Socket screw
2	9119883	Flap/orifice
	9119884	Swivel latch, panel
3	9126447	Front foil Control Basic
4	9119880	Control Basic front cover – green
5	9119839	Feeble-current fuse T 0.315 A
6	9119878	Control Basic back cover – grey
7	9200240*	Control Basic cabinet

*only complete replacement (replacement of the circuit board is not possible)

Reflex Control Touch



Item	Art. No.	Article name
1	9119905	Socket screw
2	9119883	Flap/orifice
	9119884	Swivel latch, orifice
3	9116919	Front foil Control Touch
4	9119879	Control Touch front cover – green
5	9131020	Display + TAN circuit board Control Touch
Installation location: Lower control cabinet		
	9127916	Servako-IO-uP 2P THT with soft start
	9127917	Servako-IO-uP 1P THT with soft start
	9127918	Servako-IO-uP 2P THT without soft start
	9127919	Servako-IO-uP 1P THT without soft start
6	9116917	Battery for TAN Control Touch
7	9119878	Controller housing incl. screws and panel
8	9127888	Control cabinet Touch V 1 (230V, without soft start) 35/65
	9127889	Control cabinet Touch V 2-1 (230V, with soft start)
	9127890	Control cabinet Touch V 2-2 (230V, with soft start)
	9127891	Control cabinet Touch V 2-2 (230V, without soft start)
	9127892	Control cabinet Touch V 2-1 (400V, without soft start)
	9127893	Control cabinet Touch V 2-2 (400V, without soft start)
	9127894	Control cabinet Touch V 2-2 (400V, GS 3, without soft start)
	9127895	Control cabinet Touch V 2-2 (230V, GS 1.1, with soft start)
	9127896	Control cabinet Touch V 2-1 (480V, without soft start)

Reflex Control Touch



Reflex Control Touch

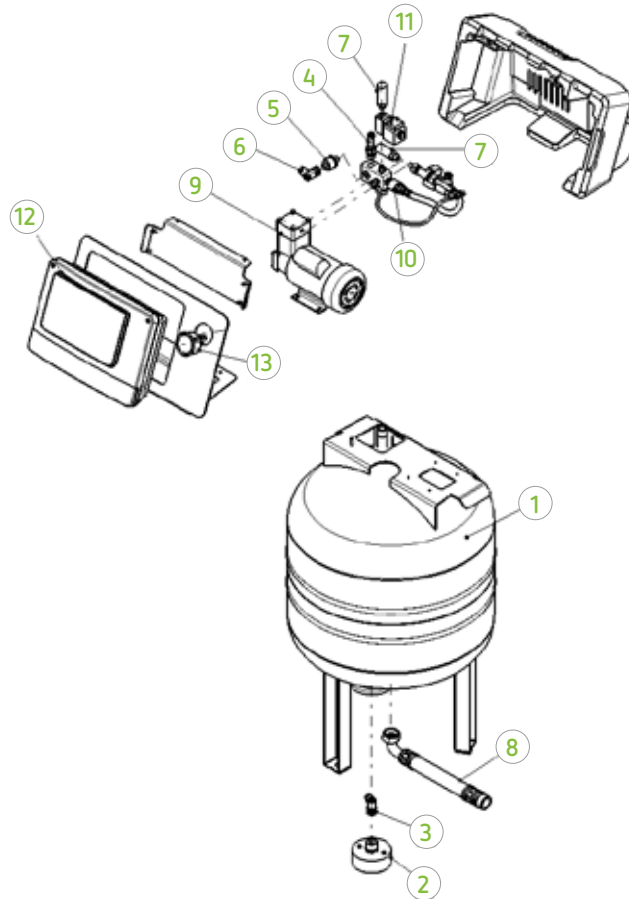


Reflex Control Touch – Control cabinet

Item	Art. No.	Article name
	9116923	Connection terminal 2-pole TAN – green
	9116924	Connection terminal 3-pole TAN – green
	9116925	Connection terminal 4-pole TAN – green
	9116926	Connection terminal 5-pole TAN – green
	9116927	Connection terminal 6-pole TAN – green
	9116842	Connection terminal 3-pole GP – light grey
	9116841	Connection terminal 4-pole GP – light grey
	9116840	Connection terminal 2-pole GP – light grey
	9116839	Connection terminal 3-pole GP – light grey
	9116922	Connection terminal 4-pole GP – light grey
	9116918	Cable, Control Touch TAN-GP
	9129829	Contactor LS 7.10 230 V/50 – 60 Hz
	9129829	Contactor DILEM-10 400 V 4KW
	9116833	Main switch 2-pole
	9116834	Main switch 3-pole
	9116274	Motor protective circuit breaker 5.5 – 8.0 A
	9116275	Motor protective circuit breaker 4.5 – 6.3 A
	9116920	Motor protective circuit breaker 2.8 – 4.0 A
	9116324	Motor protective circuit breaker 1.4 – 2.0 A
9	9116838	Circuit board glass cartridge fuse T 0.5 A
	9116846	Fuse safety clip
	9116835	Pump glass cartridge fuse 10 A
	9116836	Fuse base
	9116837	Screw cap
10	9119882	Housing adapter / operating unit bracket
11	9119876	Control cabinet housing
12	9119877	Control cabinet front flap
13	9119888	Control profile cap (left)
14	9119889	Control profile cap (right)

Reflexomat

Reflexomat XS

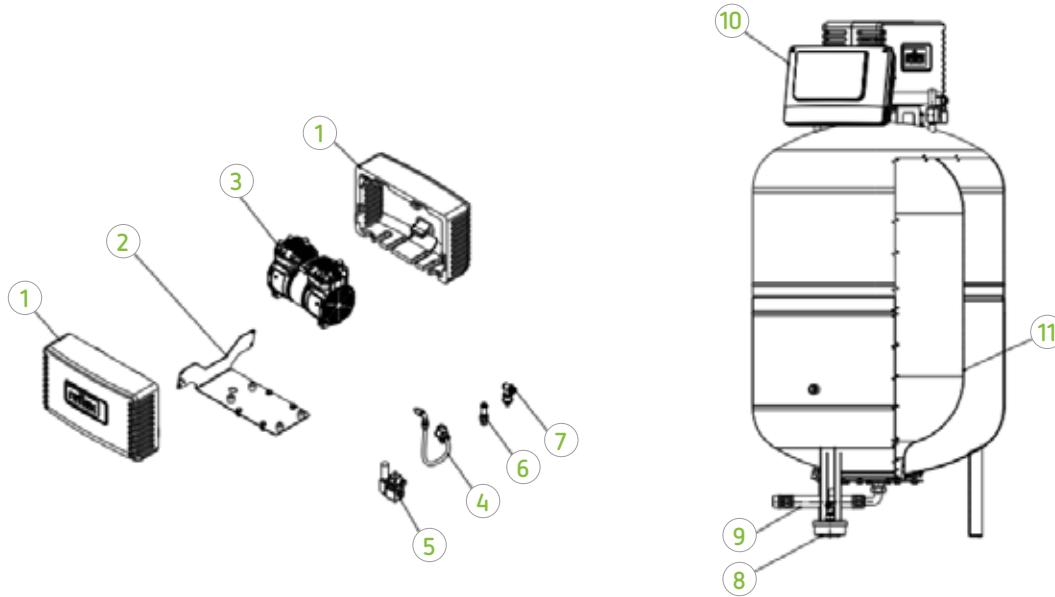


8800100 – Reflexomat XS / 8800110 – Reflexomat XS CH

Item	Art. No.	Article name
1	8782001	Reflex RXS 80/10 (only the vessel)
2	7131044	Oil pressure pick-up, 4 bar, P 140 sensor & 2.7 cable
3	9130285	Cable for oil pressure pick-up (1,350 mm)
4	9110501	Safety valve 3/8", 6 bar
5/6	7130274	Pressure sensor, 10 bar, P 140 sensor & 2.7 cable
7	9129100	Silencer
8	9110637	Water connection flexible R 1"
9	9130975	Compressor
10	9130353	Backflow preventer R/Rp 3/8"
11	9130355	Solenoid valve G 1/4"
12	9130357	Control cabinet
13	9130358	Pressure gauge 0 – 6 bar D 50

Reflexomat

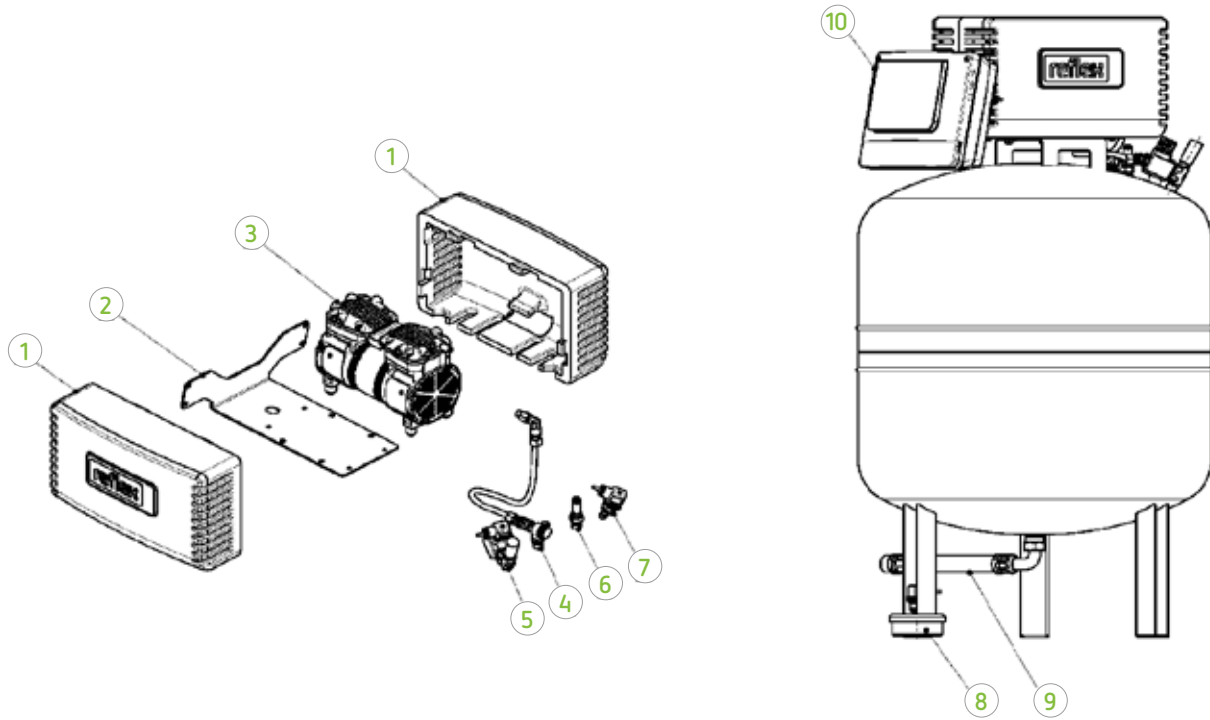
Reflexomat Silent Compact Smart from 02/2024



Reflexomat Silent Compact Smart

Item	Art. No.	Article name	Note
1	9129105	EPP housing (RSC)	
2	9129154	Holding plate (RSC 200/300/400/500)	
3	7070001	Compressor (RSC Smart 200/300/400/500/600)	
4	9115618	Backflow preventer 3/8"	
	9110691	Hose coupling AG 1/4" for PX 6	
	9131310	Hose PX 6, steel jacket for compressor	
5	9130355	Solenoid valve 1/4" (air)	
	9129100	Silencer for solenoid valve (RSC 200/300/400/500/600)	
	9116148	Solenoid valve cable (1000 mm)	
6	9110501	Safety valve 3/8", 6 bar (air)	
7	7130274	Pressure sensor 10B P140 sensor & 2.7 cable	RSC200/300/400/500
	7130282	Pressure sensor 25B P140 sensor & 2.7 cable	RSC 600
8	7131040	Oil load cell 10B P140 sensor & 2.7 cable	RSC200/300/400/500
	7131041	Oil load cell 25B P140 sensor & 2.7 cable	RSC 600
9	9110637	Water connection Flexible hose 1"	
	9115354	Seal for water connection 1"	
10	9131311	Control Basic cabinet	
	9119839	Miniature fuse T0.315 A	
11	7070814	Membrane SET DE/DT 200-400L with and without hole	RSC smart 200
	9070192	MEMBRANE 300 RG/RF BUTYL	RSC smart 300/400
	9070193	MEMBRANE 500 RG/RF BUTYL	RSC smart 500
	9070194	MEMBRANE 600 RG/RF BUTYL	RSC smart 600

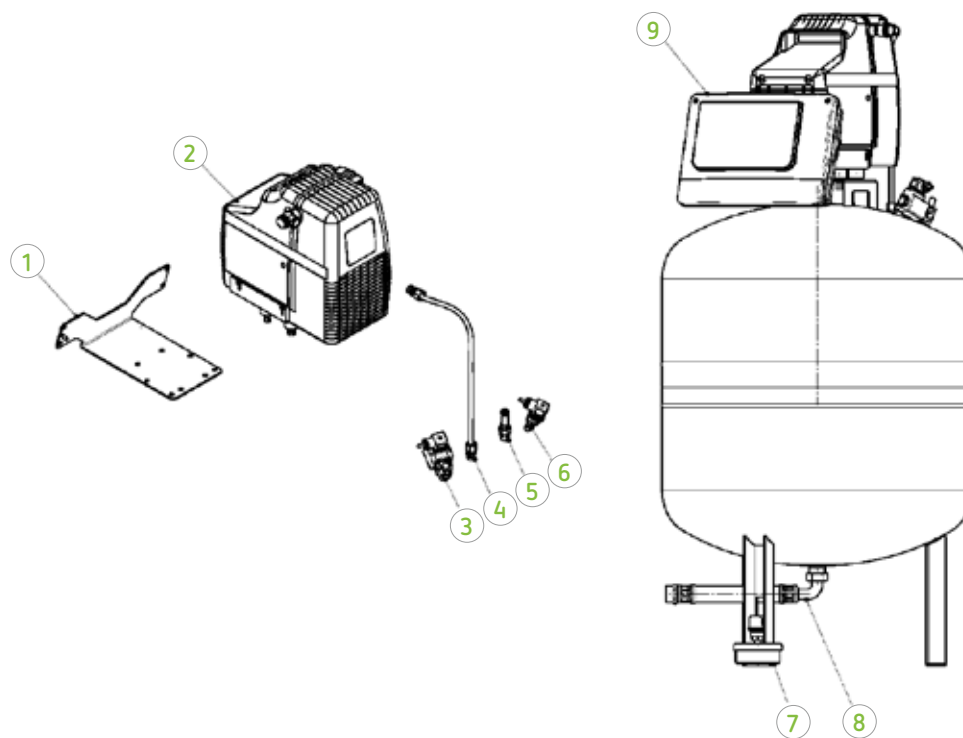
Reflexomat Silent Compact from 07/2017–01/2024



Reflexomat Silent Compact

Item	Art. No.	Article name
1	9129105	Housing EPP (RSC)
2	9129154	Holding plate (RSC 200/300/400/500)
3	7070001	Compressor (RSC 200/300/400/500)
4	9115618	Backflow preventer 3/8"
	9110691	Hose coupling AG 1/4" for PX 6
	9110561	Hose PX 6, steel jacket for compressor
5	9110549	Solenoid valve 1/4" (air)
	9110661	Silencer (RSC 200/300/400/500)
6	9110501	Safety valve 3/8", 6 bar (air)
7	7130273	Pressure sensor 0–6 bar DST P140 4–20 mA
8	7131044	Oil pressure pick-up, 4 bar, P 140 sensor & 2.7 cable
	7131040	Oil pressure pick-up, 10 bar, P 140 sensor & 2.7 cable
9	9110637	Water connection flexible hose 1"
	9115354	Seal for water connection 1"
10	9200240	Control Basic cabinet
	9119839	Glass cartridge fuse T 0.315 A

Reflexomat Compact until 06/2017



Reflexomat Compact

Item	Art. No.	Article name
1	9009001	Retaining plate (RC 200)
	9009002	Retaining plate (RC 300/400/500)
2	7070001	Compressor (RSC 200/300/400/500)
	9115618	Backflow preventer 3/8"
3	9110549	Solenoid valve 1/4" (air)
	9110661	Solenoid valve silencer for RC 200–500
4	9110561	Hose PX 6, steel jacket for compressor
	9110691	Hose coupling AG 1/4" for PX 6
	9110589	Hose coupling AG 3/8" for PX 6
5	9110501	Safety valve 3/8", 6 bar (air)
6	7130273	Pressure sensor 0–6 bar DST P 140 4–20 mA
7	7131044	Oil pressure pick-up, 4 bar, P 140 sensor & 2.7 cable
	7131040	Oil pressure pick-up, 10 bar, P 140 sensor & 2.7 cable
8	9110637	Water connection Flexible hose 1"
	9115354	Water connection flexible hose 1"
9	9200240	Control Basic cabinet
	9119839	Glass cartridge fuse T 0.315 A

Reflexomat



Reflexomat control unit – back view



Reflexomat control unit and primary vessel

Art. No.	Article name
9110661	Solenoid valve silencer
9110566	Angle IGFF 3/4, 1/4" (for DMU, hose, red)
9116150	230V power cable (5 m) incl. plug
9110549	Solenoid valve 1/4" (air)
7130273	Pressure sensor, 6 bar, P 140 sensor & 2.7 cable
7130274	Pressure sensor, 10 bar, P 140 sensor & 2.7 cable
9110561	Hose PX 6, steel jacket, compressor and solenoid valve (air), till up RS 150 (per metre)
9110691	Hose coupling, AG 1/4" for PX 6
9110589	Hose coupling, AG 3/8" for PX 6
9111117	Hose PX 9, steel jacket, compressor, from RS 150 (per metre)
9130150	Screw connection AG 1/4 PX 9, 13,5 x 9,5
9110551	Hose coupling, AG 3/8" for PX 9
9111759	Hose 3/4 (red) for pressure sensor (per metre)
9110559	Screw fitting angle 1/4" IA, brass, compressor, solenoid valve (air)
9110501	Safety valve, 6 bar, 3/8" (air)
9110502	Safety valve, 10 bar, 3/8" (air)
9111470	Double nipple 3/8" (safety valve)
9115227	T-piece 3/8", brass (safety valve)
9111696	Cross piece 3/8", brass
9115618	Non-return valve 3/8" for compressor
9111648	Screw connection, AG 3/8" (air duct)
9110500	Screw connection, female thread 3/8" (air duct)

Reflexomat

Art. No.	Article name
9290022	Galvanized tube, 12 mm (per meter)
9110595	Isolation valve
9110503	Condensate valve 1/4" (radiator nipple)
9116829	Supply line CPU-I/O, twisted
9116833	Main switch, 2-pole
9116834	Main switch, 3-pole
9116843	Connection terminal for RS-485
9116835	Screw-in fuse 10 A
9116836	Fuse base
9116837	Screw-in cap (fuse)
9116838	Feeble-current fuse 0.5 AT
7945700	Air-side connection (2 vessels RG + RF)
9129829	Contacteur LS 7.10 230V/50 – 60Hz
9129829	Contacteur DILEM-10 400 V 4KW
9116833	Main switch 2-pole
9116834	Main switch 3-pole
9116274	Motor protective circuit breaker 5.5 – 8.0 A
9116275	Motor protective circuit breaker 4.5 – 6.3 A
9116920	Motor protective circuit breaker 2.8 – 4.0 A
9116324	Motor protective circuit breaker 1.4 – 2.0 A
Oil pressure pick-up sets	
7131044	Oil pressure pick-up, 4 bar, P 140 sensor & 2.7 cable
7131040	Oil pressure pick-up, 10 bar, P 140 sensor & 2.7 cable
7131041	Oil pressure pick-up, 25 bar, P 140 sensor & 2.7 cable
7131042	Oil pressure pick-up, 60 bar, MBS 3,000 M 12 & 2.7 cable
7131043	Oil pressure pick-up, 100 bar, MBS 3,000 M 12 & 2.7 cable
Compressors	
7070001	Compressor (RSC 200/300/400/500)
7917200	RS 90 (400 V / 0.56 kW / 2.0 A)
7915000	RS 150 (400 V / 1.1 kW / 3.1 A)
7110593	RS 300 (400 V / 2.2kW / 5.5 A)
7940700	RS 400 (400 V / 2.4 kW / 5.7 A)
7917100	RS 580 (400 V / 3.0 kW / 7.2 A)
Water-side connections	
7806440	Water connection, DN 150 x 1" (up to 800 liters)
9110637	Flexible hose 1" (water connection)
7526635	Water connection from 1000 liters (DN 250/65, PN 6)
7650340	Flexible connection from 1000 liters (DN 65 bend, PN 6)

Reflexomat primary vessel RG 200 – 5,000 liters / 6 bar

Primary vessel	Item	Art. No.	Article name	Note
RG 200 (6 bar)	1	7070813	Bladder RG 200	
	2	7521590	Suspension D82 ½" (without hole)	
	3	7806440	Water connection DN 260 × G 1" RG/RF 200 – 800 G 1"	
RG 300 (6 bar)	1	9070192	Bladder RG 300	
	2	7521590	Suspension D82 M16x50 (without hole)	
	3	7806440	Water connection DN 260 × G 1" RG/RF 200 – 800 G 1"	
RG 400 (6 bar)	1	9070192	Bladder RG 400	
	2	7521590	Suspension D82 M16x50 (without hole)	
	3	7806440	Water connection DN 260 × G 1" RG/RF 200 – 800 G 1"	
RG 500 (6 bar)	1	9070193	Bladder RG 500	
	2	7521590	Suspension D82 M16x50 (without hole)	
	3	7806440	Water connection DN 260 × G 1" RG/RF 200 – 800 G 1"	
RG 600 (6 bar)	1	9070194	Bladder RG 600	
	2	7521590	Suspension D82 M16x50 (without hole)	
	3	7806440	Water connection DN 260 × G 1" RG/RF 200 – 800 G 1"	
RG 800 (6 bar)	1	9070195	Bladder RG 800	
	2	7521590	Suspension D82 M16x50 (without hole)	
	3	7806440	Water connection DN 260 × G 1" RG/RF 200 – 800 G 1"	
RG 1,000 (6 bar)	1	9070311	Bladder RG 1000	
	2	7521590	Suspension D 82 M 16 × 50 (without hole)	
	3	7526635	Water connection DN 250/DN 65/PN 6	
		7650340	Water connection DN 65/DN 65/PN 6	
RG 1,500 (6 bar)	1	9070312	Bladder RG 1500	
	2	7521590	Suspension D 82 M 16 × 50 (without hole)	
	3	7526635	Water connection DN 250/DN 65/PN 6	
		7650340	Water connection DN 65/DN 65/PN 6	
RG 2,000 (6 bar)	1	9070315	Bladder RG 2000	
	2	7521590	Suspension D 82 M 16 × 50 (without hole)	
	3	7526635	Water connection DN 250/DN 65/PN 6	
		7650340	Water connection DN 65/DN 65/PN 6	
RG 3,000 (6 bar)	1	7070316	Bladder RG 3000	
	2	7521590	Suspension D 82 M 16 × 50 (without hole)	4 pieces
	3	7526635	Water connection DN 250/DN 65/PN 6	
		7650340	Water connection DN 65/DN 65/PN 6	
RG 4,000 (6 bar)	1	7070318	Bladder RG 4000	
	2	7521590	Suspension D 82 M 16 × 50 (without hole)	4 pieces
	3	7526635	Water connection DN 250/DN 65/PN 6	
		7650340	Water connection DN 65/DN 65/PN 6	
RG 5,000 (6 bar)	1	7070319	Bladder RG 5000	
	2	7521590	Suspension D 82 M 16 × 50 (without hole)	4 pieces
	3	7526635	Water connection DN 250/DN 65/PN 6	
		7650340	Water connection DN 65/DN 65/PN 6	

Reflexomat primary vessel RG 350 – 5,000 liters / 10 bar

Primary vessel	Item	Art. No.	Article name	Note
RG 350 (10 bar)	1	9070143	Bladder RG 350	
	2	7521590	Suspension D 82 M 16 × 50 (without hole)	
	3	7330102	Water connection DN 200/DN 40/PN 16	(Color: Red)
RG 500 (10 bar)	1	9070148	Bladder RG 500	
	2	7521590	Suspension D 82 M 16 × 50 (without hole)	
	3	7330102	Water connection DN 200/DN 40/PN 16	(Color: Red)
RG 750 (10 bar)	1	9070039	Bladder RG 750	
	2	7521590	Suspension D 82 M 16 × 50 (without hole)	
	3	733104	Water connection DN 750/DN 40/PN 16/GG	
RG 1,000 (10 bar)	1	9070311	Bladder RG 1000	
	2	7521590	Suspension D 82 M 16 × 50 (without hole)	
	3	7526040	Water connection DN 250/DN 65/PN 16	
		733105	Water connection DN 250/DN 65/PN 16 with I-Hose	
RG 1,500 (10 bar)	1	9070312	Bladder RG 1500	
	2	7521590	Suspension D 82 M 16 × 50 (without hole)	
	3	7526040	Water connection DN 250/DN 65/PN 16	
		733105	Water connection DN 250/DN 65/PN 16 with I-Hose	
RG 2,000 (10 bar)	1	9070315	Bladder RG 2000	
	2	7521590	Suspension D 82 M 16 × 50 (without hole)	
	3	7526040	Water connection DN 250/DN 65/PN 16	
		733105	Water connection DN 250/DN 65/PN 16 with I-Hose	
RG 3,000 (10 bar)	1	7070316	Bladder RG 3000	
	2	7521590	Suspension D 82 M 16 × 50 (without hole)	4 pieces
	3	7526040	Water connection DN 250/DN 65/PN 16	
		733105	Water connection DN 250/DN 65/PN 16 with I-Hose	
RG 4,000 (10 bar)	1	7070318	Bladder RG 4000	
	2	7521590	Suspension D 82 M 16 × 50 (without hole)	4 pieces
	3	7526040	Water connection DN 250/DN 65/PN 16	
		733105	Water connection DN 250/DN 65/PN 16 with I-Hose	
RG 5,000 (10 bar)	1	7070319	Bladder RG 5000	
	2	7521590	Suspension D 82 M 16 × 50 (without hole)	4 pieces
	3	7526040	Water connection DN 250/DN 65/PN 16	
		733105	Water connection DN 250/DN 65/PN 16 with I-Hose	

Reflexomat secondary vessel RF 200 – 5,000 liters / 6 bar

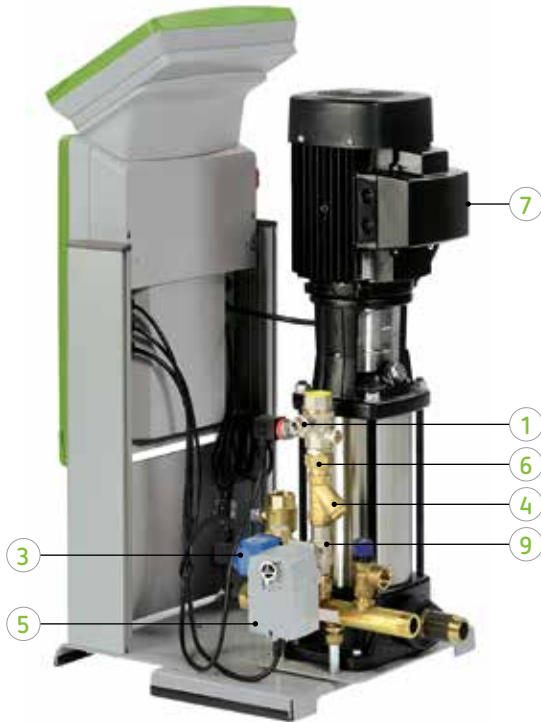
Secondary vessel	Item	Art. No.	Article name	Note
RF 200 (6 bar)	1	7070813	Bladder RF 200	
	2	7314663	Suspension D82 ½" (without hole)	
	3	7806440	Water connection DN 260 × G 1" RG/RF 200 – 800 G 1"	
RF 300 (6 bar)	1	9070192	Bladder RF 300	
	2	7521590	Suspension D 82 M 16 × 50 (without hole)	
	3	7806440	Water connection DN 260 × G 1" RG/RF 200 – 800 G 1"	
RF 400 (6 bar)	1	9070192	Bladder RF 400	
	2	7521590	Suspension D 82 M 16 × 50 (without hole)	
	3	7806440	Water connection DN 260 × G 1" RG/RF 200 – 800 G 1"	
RF 500 (6 bar)	1	9070193	Bladder RF 500	
	2	7521590	Suspension D 82 M 16 × 50 (without hole)	
	3	7806440	Water connection DN 260 × G 1" RG/RF 200 – 800 G 1"	
RF 600 (6 bar)	1	9070194	Bladder RF 600	
	2	7521590	Suspension D 82 M 16 × 50 (without hole)	
	3	7806440	Water connection DN 260 × G 1" RG/RF 200 – 800 G 1"	
RF 800 (6 bar)	1	9070195	Bladder RF 800	
	2	7521590	Suspension D 82 M 16 × 50 (without hole)	
	3	7806440	Water connection DN 260 × G 1" RG/RF 200 – 800 G 1"	
RF 1,000 (6 bar)	1	9070311	Bladder RF 1000	
	2	7521590	Suspension D 82 M 16 × 50 (without hole)	
	3	7526635	Water connection DN 250/DN 65/PN 6	
RF 1,500 (6 bar)	1	9070312	Bladder RF 1500	
	2	7521590	Suspension D 82 M 16 × 50 (without hole)	
	3	7526635	Water connection DN 250/DN 65/PN 6	
RF 2,000 (6 bar)	1	9070315	Bladder RF 2000	
	2	7521590	Suspension D 82 M 16 × 50 (without hole)	
	3	7526635	Water connection DN 250/DN 65/PN 6	
RF 3,000 (6 bar)	1	7070316	RF 3000 Bladder	
	2	7521590	Suspension D 82 M 16 × 50 (without hole)	4 pieces
	3	7526635	Water connection DN 250/DN 65/PN 6	
RF 4,000 (6 bar)	1	7070318	Bladder RF 4000	
	2	7521590	Suspension D 82 M 16 × 50 (without hole)	4 pieces
	3	7526635	Water connection DN 250/DN 65/PN 6	
RF 5,000 (6 bar)	1	7070319	Bladder RF 5000	
	2	7521590	Suspension D 82 M 16 × 50 (without hole)	4 pieces
	3	7526635	Water connection DN 250/DN 65/PN 6	

Reflexomat secondary vessel RF 350 – 5,000 liters / 10 bar

Secondary vessel	Item	Art. No.	Article name	Note
RF 350 (10 bar)	1	9070143	Bladder RF 350	
	2	7521590	Suspension D 82 M 16 × 50 (without hole)	
	3	733106	Water connection DN200/DN 40/PN16/BG	
RF 500 (10 bar)	1	9070148	Bladder RF 500	
	2	7521590	Suspension D 82 M 16 × 50 (without hole)	
	3	733106	Water connection DN200/DN 40/PN16/BG	
RF 750 (10 bar)	1	9070039	Bladder RF 750	
	2	7521590	Suspension D 82 M 16 × 50 (without hole)	
	3	7857253	Water connection DN200/DN 40/PN16/BG	
RF 1,000 (10 bar)	1	9070311	Bladder RF 1000	
	2	7521590	Suspension D 82 M 16 × 50 (without hole)	
	3	7526040	Water connection DN200/DN 40/PN16/BG	
RF 1,500 (10 bar)	1	9070312	Bladder RF 1500	
	2	7521590	Suspension D 82 M 16 × 50 (without hole)	
	3	7526040	Water connection DN200/DN 40/PN16/BG	
RF 2,000 (10 bar)	1	9070315	Bladder RF 2000	
	2	7521590	Suspension D 82 M 16 × 50 (without hole)	
	3	7526040	Water connection DN200/DN 40/PN16/BG	
RF 3,000 (10 bar)	1	7070316	Bladder RF 3000	
	2	7521590	Suspension D 82 M 16 × 50 (without hole)	4 pieces
	3	7526040	Water connection DN200/DN 40/PN16/BG	
RF 4,000 (10 bar)	1	7070318	Bladder RF 4000	
	2	7521590	Suspension D 82 M 16 × 50 (without hole)	4 pieces
	3	7526040	Water connection DN200/DN 40/PN16/BG	
RF 5,000 (10 bar)	1	7070319	Bladder RF 5000	
	2	7521590	Suspension D 82 M 16 × 50 (without hole)	4 pieces
	3	7526040	Water connection DN200/DN 40/PN16/BG	

Variomat

Variomat



Variomat control unit – back view



Variomat control unit and primary vessel

Item	Art. No.	Article name	Note
1	9117100	Ball valve 1" AG × 1" IG without ¼"	
	9117053	Cap ball valve 1" IG × IG with ¼"	
2	7130274	Pressure sensor 10B P140 sensor & 2.7 cable	
3	9119711	¼" Solenoid valve NW 10, ½" (make-up)	
4	9117102	Dirt trap ¾"	
	9117236	Strainer, dirt trap	
5	9117569	Motor ball valve ½" (R2B-4820)	
6	9116367	Backflow preventer DN 25, AG, with O-ring	
	9117059	Reducer with O-ring AG 1" × AG 1 ¼"	
	9117040	Ball valve 2 × 1" AG (2P pressure side)	
	9117020	Ball valve 1" AG × 1" ÜW (2P suction side)	
7	9117018	Coupling (MV) ½" AG × ¾" ÜW	
	9131327 + 7119222	Pump VS1 (2HM4)	Take replacement pump VS1 (3HM04) with adapter. Before 04/2016
	9131327	Pump VS1 (3HM04 - IE2)	from 04/2016 (replacement for 9125225)
	9131328 + 7111120 + 7119222	Pump V2/60 (2HM7)	Take replacement pump V2/60 (3HM05) with 2x adapter. Before 04/2015
	9131328 + 7111120	Pump V2-1/60 (3HM05 - IE2) + pump adapter set	04/2015-03/2024 (replacement for 9125226)
	9131328	Pump V2-1/60 (3HM05 - IE2)	from 04/2024 (replacement for 9125226)
	9131328 + 7111121	Pump V2-2/60 (3HM05 - IE2) + pump adapter set	04/2015-03/2024 (replacement 9125226)
	9131328	Pump V2-2/60 (3HM05 - IE2)	from 04/2024 (replacement for 9125226)

Variomat

Item	Art. No.	Article name	Note
	9131323	Pump V2/75 (3SV11F011M - IE2)	until 06/2015 (replacement for 9118310)
	9131326	Pump V2/75 (3VM08P11M - IE2)	from 06/2015 (replacement for 9125223)
	9131324	Pump V2/95 (3SV12F011M)	until 08/2015 (replacement for 9118311)
	9131326	Pump V2/95 (3VM08P11M - IE2)	from 08/2015 (replacement for 9125223)
	9116621	Pump V2/140 (CR 3-21)	
	7119222	Adapter fitting for pump 3HM04 & 3HM05	Replacement for 2HM04 & 2HM07
	7111120	Pump adapter set RP3HM05 IE2	Replacement for VS 2-1/60 & Servitec 60 & Fillcontrol Auto 2PS & Servimat M & Skid variants
	7111121	Pump adapter set VS 2-2/60	Replacement for VS 2-2/60
	9119036	Capacitor 14µF (2HM4) plugged in	
	9115590	Capacitor 20µF (2HM7 and 2HM05) plugged in	
	9115592	Capacitor 30µF (3SVxx, SV 207, 209)	
	9115580	Capacitor 16µF (IE2 1HM + 3HM02/-03/-04)	
	9115581	Capacitor 25µF (IE2 3HM05)	
	9115582	Capacitor 30µF (IE2 3HM06)	
	9116141	Mini ball valve ¼" (for DMU)	
8	9291001	Collector 1" × 270 (safety valve, motor ball valve, water make-up)	
	9290260	Collector 1" × 180 (safety valve, motor ball valve) only for 2P systems	
	9116165	Collector 1¼" × 450 (4 pieces for 2P systems)	
	9116142	Cap for collector 1¼" (2P systems)	
	9112046	Cap for manifold Rp 1", with seal	
	9116143	Cap for collector 1¼" with ¼" internal thread	
9	9116041	Safety valve R ½", 5 bar	
	9117038	Throttle orifice, bore 6.5 mm	
	9115354	Seal 1"	
	9116829	CPU I/O supply cable, twisted	
11	9116833	Main switch, 2-pole	
	9116834	Main switch, 3-pole	
	9130284	Cable for pressure sensor (900 mm)	
	9116148	Solenoid valve cable	
	9115537	Euro plug (cube plug)	
	9129829	Contacteur	
Oil pressure sensor sets			
12	7131044	Oil pressure pick-up, 4 bar, P 140 sensor & 2.7 cable	
	7131040	Oil pressure pick-up, 10 bar, P 140 sensor & 2.7 cable	
	7131041	Oil pressure pick-up, 25 bar, P 140 sensor & 2.7 cable	
	7131042	Oil pressure pick-up, 60 bar, MBS 3,000 M 12 & 2.7 cable	
	7131043	Oil pressure pick-up, 100 bar, MBS 3,000 M 12 & 2.7 cable	
14	9113426	KFE valve	
15	9250000	Air vent (Exvoid T ½")	
	9250038	Air vent (Exvoid T ¾")	
16	9118077	Backflow preventer for 9115091	before 2017
	9125996	Backflow preventer for Exvoid T ½" & T ¾"	from 28/02/2017
	9115217	Air trap	
15 / 16	9115091	Quick air vent ¾" incl. non-return valve	before 2015
15 / 16	8826615	Quick air vent ¾" incl. non-return valve	from 13/04/2015
17	7985270	Aeration and ventilation pipe for vessels Ø 740	
	7112133	Aeration and ventilation pipe for vessels Ø 1000	

Variomat primary vessel VG 200 – 5,000 liters / 6 bar

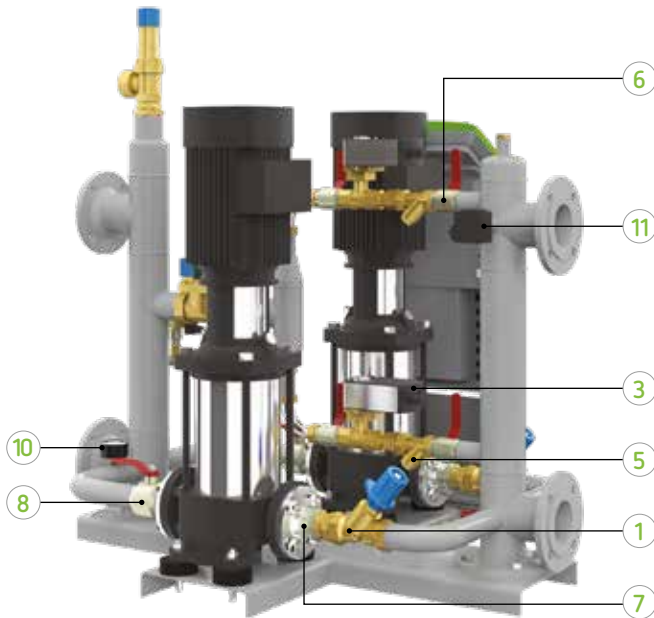
Primary vessel	Item	Art. No.	Article name	Note
VG 200	1	9070062	Bladder VG 200	
	2	7314664	Suspension D 82 ½" (with hole)	
	3	6600050	Water connection VG 200 – 1,000, 6 bar	
VG 300	1	9070297	Bladder VG 300	
	2	7314664	Suspension D 82 ½" (with hole)	
	3	6600050	Water connection VG 200 – 1,000 6 bar	
VG 400	1	9070297	Bladder VG 400	
	2	7314664	Suspension D 82 ½" (with hole)	
	3	6600050	Water connection VG 200 – 1,000 6 bar	
VG 500	1	9070296	Bladder VG 500	
	2	7314664	Suspension D 82 ½" (with hole)	
	3	6600050	Water connection VG 200 – 1,000 6 bar	
VG 600	1	9070167	Bladder VG 600	
	2	7314664	Suspension D 82 ½" (with hole)	
	3	6600050	Water connection VG 200 – 1,000 6 bar	
VG 800	1	9070168	Bladder VG 800	
	2	7314664	Suspension D 82 ½" (with hole)	
	3	6600050	Water connection VG 200 – 1,000 6 bar	
VG 1,000 (Ø 740)	1	9070169	Bladder VG 1,000 DHA	
	2	7314664	Suspension D 82 ½" (with hole)	
	3	6600050	Water connection VG 200 – 1,000 6 bar	
VG 1,000 (Ø 1,000)	1	9070311	Bladder VG 1,000	
	2	7521590	Suspension D 82 M 16 × 50 (without hole)	
	3	6600950	Water connection VG 1,000 – 5,000 6 bar	
		6600960	Water connection DN 250/DN 10/PN 6	
VG 1,500	1	9070312	Bladder VG 1,500	
	2	7521590	Suspension D 82 M 16 × 50 (without hole)	
	3	6600950	Water connection VG 1,000 – 5,000 6 bar	
		6600960	Water connection DN 250/DN 10/PN 6	
VG 2,000	1	9070312	Bladder VG 2,000	
	2	7521590	Suspension D 82 M 16 × 50 (without hole)	
	3	6600950	Water connection VG 1,000 – 5,000 6 bar	
		6600960	Water connection DN 250/DN 10/PN 6	
VG 3,000	1	9070315	Bladder VG 3,000	
	2	7521590	Suspension D 82 M 16 × 50 (without hole)	4 pieces
	3	6600950	Water connection VG 1,000 – 5,000 6 bar	
		6600960	Water connection DN 250/DN 10/PN 6	
VG 4,000	1	7070316	Bladder VG 4,000	
	2	7521590	Suspension D 82 M 16 × 50 (without hole)	4 pieces
	3	6600950	Water connection VG 1,000 – 5,000 6 bar	
		6600960	Water connection DN 250/DN 10/PN 6	
VG 5,000	1	7070318	Bladder VG 5,000	
	2	7521590	Suspension D 82 M 16 × 50 (without hole)	4 pieces
	3	6600950	Water connection VG 1,000 – 5,000 6 bar	
		6600960	Water connection DN 250/DN 10/PN 6	

Variomat secondary vessel VF 200 – 5,000 liters / 6 bar

Secondary vessel	Item	Art. No.	Article name	Note
VF 200	1	9070062	Bladder VF 200	
	2	7314664	Suspension D 82 ½" (with hole)	
	3	6610050	Water connection VF 200 – 1,000 6 bar	
VF 300	1	9070297	Bladder VF 300	
	2	7314664	Suspension D 82 ½" (with hole)	
	3	6610050	Water connection VF 200 – 1,000 6 bar	
VF 400	1	9070297	Bladder VF 400	
	2	7314664	Suspension D 82 ½" (with hole)	
	3	6610050	Water connection VF 200 – 1,000 6 bar	
VF 500	1	9070296	Bladder VF 500	
	2	7314664	Suspension D 82 ½" (with hole)	
	3	6610050	Water connection VF 200 – 1,000 6 bar	
VF 600	1	9070167	Bladder VF 600	
	2	7314664	Suspension D 82 ½" (with hole)	
	3	6610050	Water connection VF 200 – 1,000 6 bar	
VF 800	1	9070168	Bladder VF 800	
	2	7314664	Suspension D 82 ½" (with hole)	
	3	6610050	Water connection VF 200 – 1,000 6 bar	
VF 1,000 (Ø 740)	1	9070169	Bladder VF 1,000 DHA	
	2	7314664	Suspension D 82 ½" (with hole)	
	3	6610050	Water connection VF 200 – 1,000 6 bar	
VF 1,000 (Ø 1,000)	1	9070311	Bladder VF 1,000	
	2	7521590	Suspension D 82 M 16 × 50 (without hole)	
	3	6610950	Water connection VF 1,000 – 5,000	
		6600960	Water connection DN 250/DN 10/PN 6	
VF 1,500	1	9070312	Bladder VF 1,500	
	2	7521590	Suspension D 82 M 16 × 50 (without hole)	
	3	6610950	Water connection VF 1,000 – 5,000	
		6600960	Water connection DN 250/DN 10/PN 6	
VF 2,000	1	9070315	Bladder VF 2,000	
	2	7521590	Suspension D 82 M 16 × 50 (without hole)	
	3	6610950	Water connection VF 1,000 – 5,000	
		6600960	Water connection DN 250/DN 10/PN 6	
VF 3,000	1	7070316	Bladder VF 3,000	
	2	7521590	Suspension D 82 M 16 × 50 (without hole)	4 pieces
	3	6610950	Water connection VF 1,000 – 5,000	
		6600960	Water connection DN 250/DN 10/PN 6	
VF 4,000	1	7070318	Bladder VF 4,000	
	2	7521590	Suspension D 82 M 16 × 50 (without hole)	4 pieces
	3	6610950	Water connection VF 1,000 – 5,000	
		6600960	Water connection DN 250/DN 10/PN 6	
VF 5,000	1	7070319	Bladder VF 5,000	
	2	7521590	Suspension D 82 M 16 × 50 (without hole)	4 pieces
	3	6610950	Water connection VF 1,000 – 5,000	
		6600960	Water connection DN 250/DN 10/PN 6	

Variomat Giga

Variomat Giga



Variomat Giga hydraulic module – back view



Variomat Giga control unit & hydraulic module

Item	Art. No.	Article name	Note
1	9117567	Throttle valve 1½" (pressure side pump)	
2	7130274	Pressure sensor 10B P140 sensor & 2.7 cable	
	7130280	Pressure sensor 16B P140 sensor & 2.7 cable	
3	9117568	Motorized ball valve 1" (ÜS)	
4	9119710	Solenoid valve NW 14, ½" (make-up)	
5	9116481	Strainer 1", complete	
6	9116462	Cap ball valve 1", AG × AG (overflow section)	
	9295018	Corrugated stainless steel pipe 1" (behind overflow)	
7	9116469	Backflow preventer, R 1 ½", IG × AG	
12	9116461	Ball valve 1 ½", IG × AG (intake side pump)	
13	9116474	Safety valve 1¼", 5 bar	
14	9116854	Pressure gauge, 0–16 bar, R ¼", 10 bar, Ø 63 mm	
15	9202055	Min. pressure limiter, 2-16 bar BCP5L (for GH 90 - 150)	
	9202058	Min. pressure limiter, 0 - 6 bar BCP3L (for GH 50 + 70)	
16	9119713	Solenoid valve 2" (control valve)	
	9115091	Quick air vent incl. non-return valve (air inlet stop) ¾"	
	9116448	Pump GH 50 (CR 5-8 230V 50 Hz)	

Item	Art. No.	Article name	Note
	9131320	Pump GH 70 (5SV09F011M - IE2)	Replacement for 9116904
	9119076	Pump GH 90 (CR 10-8 3.0 KW 50 Hz)	
	9116449	Pump GH 100 (CR5-15, 400V 50 Hz)	
	9116432	ANALOG-MODULE MK 200 2AE/2AA	
	9116424	MK 200–8 RA	
	9116426	MK 200–PROFIBUS	
	9116425	MK 200 SYSTEMBOX	
	9116423	MK 200–8E–4AE	
	9125632	MK 200–8E–4RA	
	9116428	MODULE MK 200–4AA	
	9116429	MODULE MK 200–V 8E/2RA/2AE/1AA	
Für BoB			
	9111936	Level electrode R ½" LP40 (min. Sonde)	
	9111935	Level electrode R ½" LP41 (max. Sonde)	
	9119739	Level switch LCS3050 min. water level	
	9119747	Level switch LCS3051 max. water level	
	9115144	Immersion thermostat R½ MS	

Variomat Giga primary vessel GG 1,000 – 5,000 liters / 6 bar

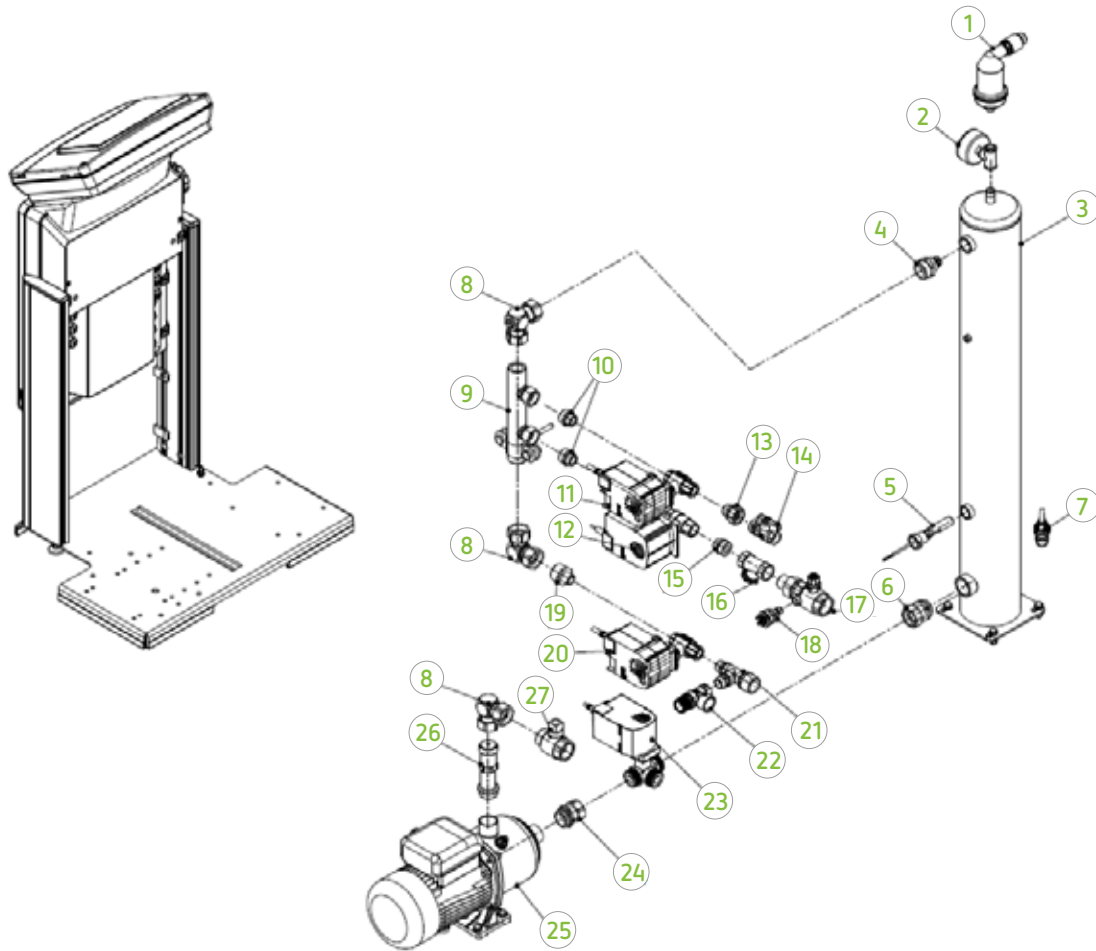
Primary vessel	Item	Art. No.	Article name	Note
GG 1,000	1	9070311	Bladder GG 1,000	
	2	7521590	Suspension D 82 M 16 × 50 (without hole)	2 pieces
	3	6920459	Water connection DN 250 / DN 65 / PN 6	
		7526635	Water connection DN 250 / DN 65 / PN 6	
		6600960	Water connection DN 250 / PN 6 for top 3/8"	
GG 1,500	1	9070312	Bladder GG 1,500	
	2	7521590	Suspension D 82 M 16 × 50 (without hole)	2 pieces
	3	6920459	Water connection DN 250 / DN 65 / PN 6	
		7526635	Water connection DN 250 / DN 65 / PN 6	
		6600960	Water connection DN 250 / PN 6 for top 3/8"	
GG 2,000	1	9070315	Bladder GG 2,000	
	2	7521590	Suspension D 82 M 16 × 50 (without hole)	2 pieces
	3	6920459	Water connection DN 250 / DN 65 / PN 6	
		7526635	Water connection DN 250 / DN 65 / PN 6	
		6600960	Water connection DN 250 / PN 6 for top 3/8"	
GG 3,000	1	9070316	Bladder GG 3,000	
	2	7521590	Suspension D 82 M 16 × 50 (without hole)	4 pieces
	3	6920459	Water connection DN 250 / DN 65 / PN 6	
		7526635	Water connection DN 250 / DN 65 / PN 6	
		6600960	Water connection DN 250 / PN 6 for top 3/8"	
GG 4,000	1	9070318	Bladder GG 4,000	
	2	7521590	Suspension D 82 M 16 × 50 (without hole)	4 pieces
	3	6920459	Water connection DN 250 / DN 65 / PN 6	
		7526635	Water connection DN 250 / DN 65 / PN 6	
		6600960	Water connection DN 250 / PN 6 for top 3/8"	
GG 5,000	1	9070319	Bladder GG 5,000	
	2	7521590	Suspension D 82 M 16 × 50 (without hole)	4 pieces
	3	6920459	Water connection DN 250 / DN 65 / PN 6	
		7526635	Water connection DN 250 / DN 65 / PN 6	
		6600960	Water connection DN 250 / PN 6 for top 3/8"	

Variomat Giga secondary vessel GF 1,000 – 5,000 liters / 6 bar

Secondary vessel	Item	Art. No.	Article name	Note
GF 1,000	1	9070311	Bladder GF 1,000	
	2	7521590	Suspension D 82 M 16 × 50 (without hole)	2 pieces
	3	7526635	Water connection DN 250 / DN 65 / PN 6	
		7650340	Water connection DN 65 / DN 65 / PN 6	
		6600960	Water connection DN 250 / PN 6 above 3/8"	
GF 1,500	1	9070312	Bladder GF 1,500	
	2	7521590	Suspension D 82 M 16 × 50 (without hole)	2 pieces
	3	7526635	Water connection DN 250 / DN 65 / PN 6	
		7650340	Water connection DN 65 / DN 65 / PN 6	
		6600960	Water connection DN 250 / PN 6 above 3/8"	
GF 2,000	1	9070315	Bladder GF 2,000	
	2	7521590	Suspension D 82 M 16 × 50 (without hole)	2 pieces
	3	7526635	Water connection DN 250 / DN 65 / PN 6	
		7650340	Water connection DN 65 / DN 65 / PN 6	
		6600960	Water connection DN 250 / PN 6 above 3/8"	
GF 3,000	1	9070316	Bladder GF 3,000	
	2	7521590	Suspension D 82 M 16 × 50 (without hole)	4 pieces
	3	7526635	Water connection DN 250 / DN 65 / PN 6	
		7650340	Water connection DN 65 / DN 65 / PN 6	
		6600960	Water connection DN 250 / PN 6 above 3/8"	
GF 4,000	1	9070318	Bladder GF 4,000	
	2	7521590	Suspension D 82 M 16 × 50 (without hole)	4 pieces
	3	7526635	Water connection DN 250 / DN 65 / PN 6	
		7650340	Water connection DN 65 / DN 65 / PN 6	
		6600960	Water connection DN 250 / PN 6 above 3/8"	
GF 5,000	1	9070319	Bladder GF 5,000	
	2	7521590	Suspension D 82 M 16 × 50 (without hole)	4 pieces
	3	7526635	Water connection DN 250 / DN 65 / PN 6	
		7650340	Water connection DN 65 / DN 65 / PN 6	
		6600960	Water connection DN 250 / PN 6 above 3/8"	

Servimat

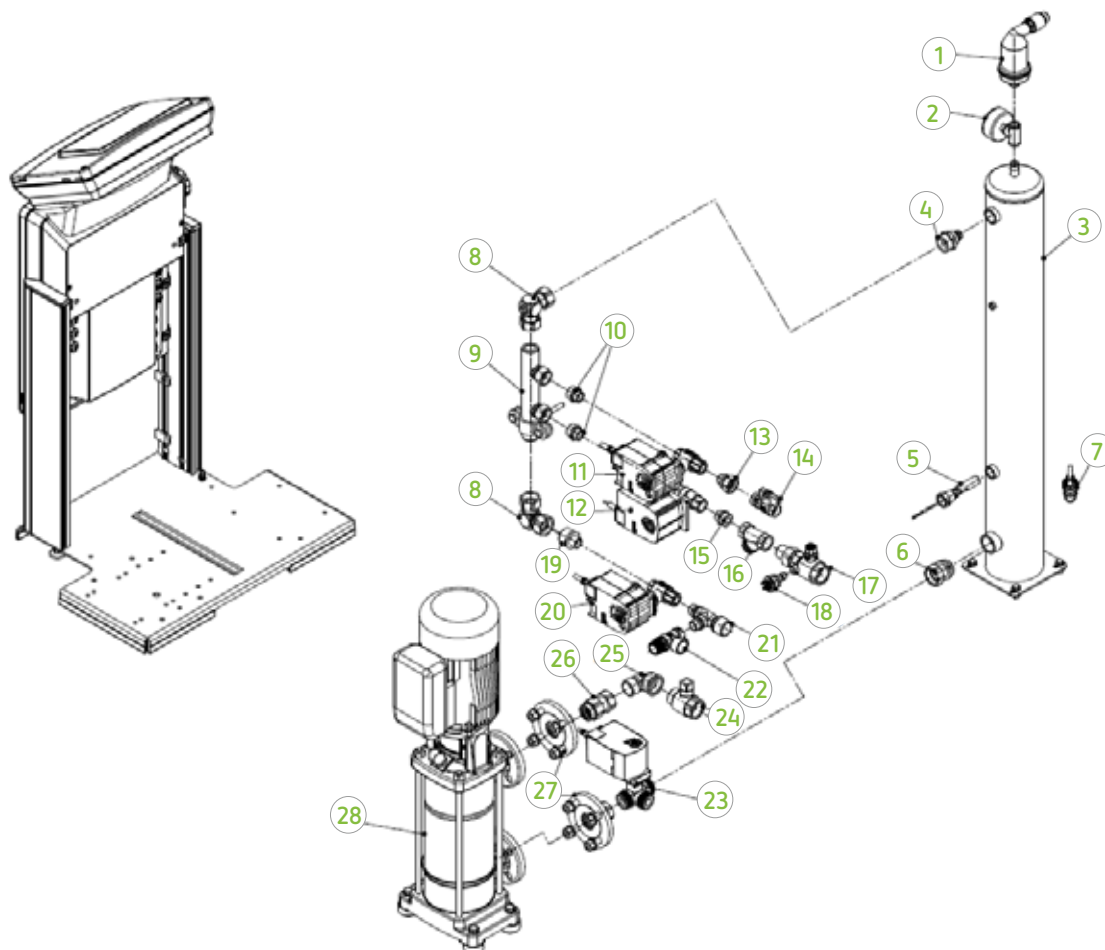
Servimat M



Item	Art. No.	Article name
1	8826615	Exvoid T quick air vent incl. non-return valve
2	7997057	Vacuum meter incl. T-piece deaerator
3	9291011	Spray tube Servitec 60 to 120 DN 100
4	7997084	Nozzle 6 l/min. Servimat (SET)
5	9125906	Low water switch
6	7997060	Coupling pump/spray tube (SET)
7	9113426	KFE tap 1/2"
8	7997061	Angle SET
9	7997062	Servimat distribution group
10	7997065	Reducer AG 1/2" with O-ring on AG 3/4" (SYS-IN and water make-up)
11	7997063	2-way motorized ball valve NSP NC (R2015-S1+TRFC230) 1/2" female thread
12	7997085	2-way motor ball valve, water make-up NC (R2015-S1 + TRFC230) 1/2" IG
13	7997066	Screw connection UWM 3/4" to AG 1/2" with O-ring (SYS-IN and NSP)
14	7997067	Ball valve water make-up green 3/4" AG
15	7997065	Reducing nipple 3/4" AG - 1/2" AG
16	9117102	Dirt trap 3/4" IG
16.1	9117236	Strainer, dirt trap
17	7997083	Coupling 3/4" AG - 1" IG incl. seal and double nipple

Item	Art. No.	Article name	
17.1	7997081	Cap ball valve 1" incl. double nipple and coupling (SET)	
18	7130274	Pressure sensor 0 - 10 bar DST P 140 4 - 20 mA	
19	9115029	Double nipple	
20	9119352	2-way motor ball valve	
21	-	T-piece incl. double nipple and reducer	
22	9116041	Safety valve 1/2" IG	
23	9127618	3-way motor ball valve	
24	7997060	Coupling AG x 1" ÜBWM incl. flat seal	
25	9131328 + 7111120	Servimat M pump (3HM05 - IE2) + pump conversion kit	
	7111120	Pump adapter set RP3HM05 IE2	Replacement for 9125226
	9115581	Capacitor 25µF (IE2 3HM05)	Replacement for VS 2-1/60 & Servitec 60 & Fillcontrol Auto 2PS & Servimat M & Skid variants
26	7997082	Pump pressure side extension (Servimat M)	
27	9117100	Ball valve 1" pump pressure side	
	9131020	Tan board + display	
	9200212	Reflex Control Touch control cabinet V2-2 with HS and SA	

Servimat L



Item	Art. No.	Article name
1	8826615	Air vent Exvoid T incl. backflow preventer
2	7997057	Vacuum meter incl. T-piece vent
3	9291011	Spray tube Servitec 60 to 120 DN 100
4	7997084	Nozzle 6 L/min. Servimat (SET)
5	9125906	Low water switch
6	7997060	Coupling pump/spray tube (SET)
7	9113426	KFE valve 1/2"
8	7997061	Angle SET
9	7997062	Distribution group Servimat
10	7997065	Reducer AG 1/2" with O-ring on AG 3/4" (SYS-IN and water make-up)
11	7997063	2-way motor ball valve, water make-up NC (R2015-S1 + TRFC230) 1/2" IG
12	7997085	2-way motor ball valve SYS-IN Servimat
13	7997066	Screw connection UWM 3/4" to AG 1/2" with O-ring (SYS-IN and NSP)
14	7997067	Ball valve, water make-up, 3/4" AG – green
15	7997065	Reducer 3/4" AG – 1/2" AG
16	9117102	Dirt trap 3/4" IG

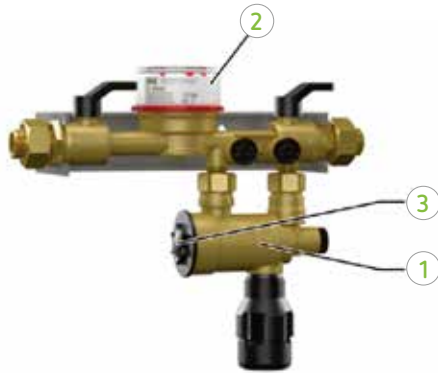
Item	Art. No.	Article name
16.1	9117236	Strainer, dirt trap
17	7997083	Coupling 3/4" AG – 1" IG incl. seal and double nipple
17.1	7997081	Cap ball valve 1" incl. double nipple and coupling (SET)
18	7130274	Pressure sensor 0 – 10 bar DST P 140 4 – 20 mA
19	9115029	Double nipple
20	9119352	2-way motor ball valve
21	-	T-piece incl. double nipple and reducer
22	9116041	Safety valve 1/2" IG
23	9127618	3-way motor ball valve
24	9117100	Ball valve 1" IG – 1" AG
25	9117000	90 degree bend, R=1, Rp=1
26	-	Connecting piece pump pressure side (Servimat L)
27	9116911	Flange DN25 PN16
28	9131322	Servimat L pump 3SV12R001M - IE2
	9131020	Tan board + display
	9200212	Reflex Control Touch control cabinet V2-2 with HS and SA

Water make-up systems & water treatment



Fillset

Fillset



Fillset

Key for cap removal

Item	Art. No.	Article name
1	9119258	Fillset system separator
	9119153	Strainer insert for system separator
2	9119253	Measuring capsule for water meter (without contact)
	9119254	Measuring capsule for water meter (with contact)
3	9119245	Cap for Fillset system separator
Accessoires		
	9119151	Key for cap removal

Fillset Compact

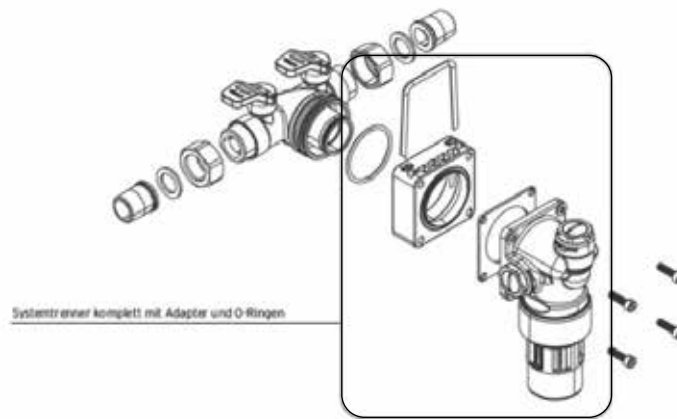


Fillset Compact

Key for cap removal

Item	Art. No.	Article name
1	9119258	Fillset system separator
	9119153	Strainer insert for the system separator
2	9119245	Cap for Fillset system separator
Accessoires		
	9119151	Key for cap removal

Fillset Compact Twist

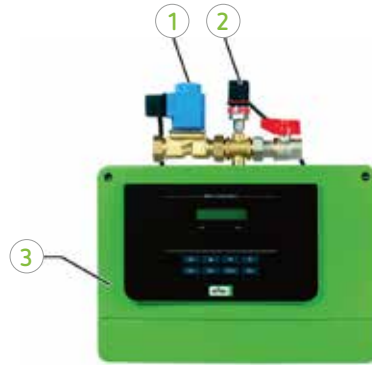


6811805 - Reflex Fillset Compact Twist / 6811855 – REFLEX FILLSET MIT M-BUS

Pos.	Artikel-Nr.	Artikelbezeichnung
1	7131084	Spare part set system separator cpl. incl. adapter + O-rings
	9119170	Strainer insert for the system separator

Fillcontrol

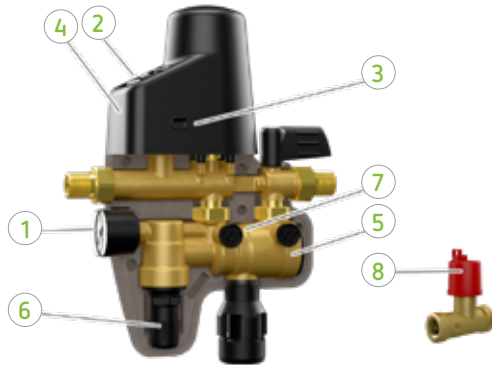
Fillcontrol Plus



Fillcontrol Auto Compact

Item	Art. No.	Article name
1	9119711	Solenoid valve NW 10, 1/2" (make-up)
2	7130274	Pressure sensor 0 – 10 bar DST P 140 4 – 20 mA
3	9200240	Control Basic cabinet

Fillcontrol Plus Compact



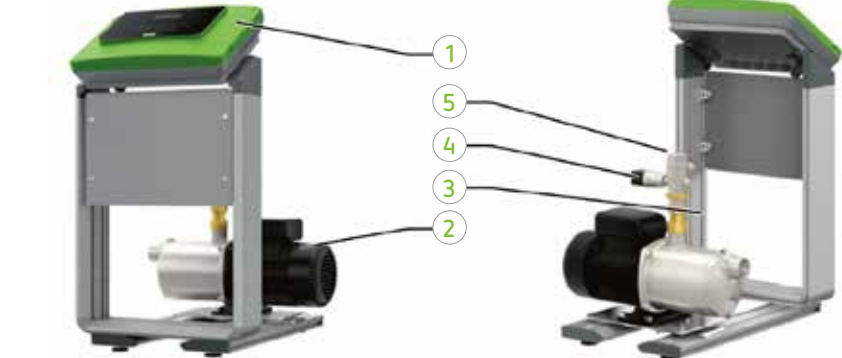
Fillcontrol Plus Compact

FE external pressure sensor

Key for cap removal

Item	Art. No.	Article name
1	9119155	Pressure gauge 0 – 10 bar G¼ chromium-plated (to pressure sensor)
2	9127123	Electronic unit incl. motor and canopy
3	9501962	Pressure sensor
	9119148	Connection cable for pressure sensor
	9119149	AC adapter
4	9119150	Battery
	9119152	Mini test ball valve for testing the system separator
5	9119153	Strainer insert for the system separator
	9119709	Filter cap with O-ring Fillcontrol Plus
6	9119154	Replacement cartridge for pressure reducer
7	9119156	Bottom part (pressure reducer and system separator)
8	9112004	FE external pressure sensor
Accessoires		
	9119151	Key for cap removal

Fillcontrol Auto



Fillcontrol Auto from 04/2016

Fillcontrol Auto before 04/2016

Item	Art. No.	Article name	Note
1	9200240	Control Basic control cabinet	
2	9117036	Pump (2HM7)	until 04/2016 9117036 no longer exists
	9131328 + 7111120	Pump (3HM05 - IE2) + pump adapter set	from 04/2016 - 03/2024 Replacement for 9125226
	9131328	Pump (3HM05 - IE2)	From 04/2024
	7111120	Pump adapter set RP3HM05 IE2	Replacement for VS 2-1/60 & Servitec 60 & Fillcontrol Auto 2PS & Servimat M & Skid variants
	9115581	Capacitor 25µF (IE2 3HM05)	
3	9116367	Backflow preventer, DN 25, AG, with O-ring	
4	7130274	Pressure sensor 10B P140 sensor & 2.7 cable	
5	9117053	Cap ball valve 1" IG × IG with ¼"	

Fillcontrol Auto Compact

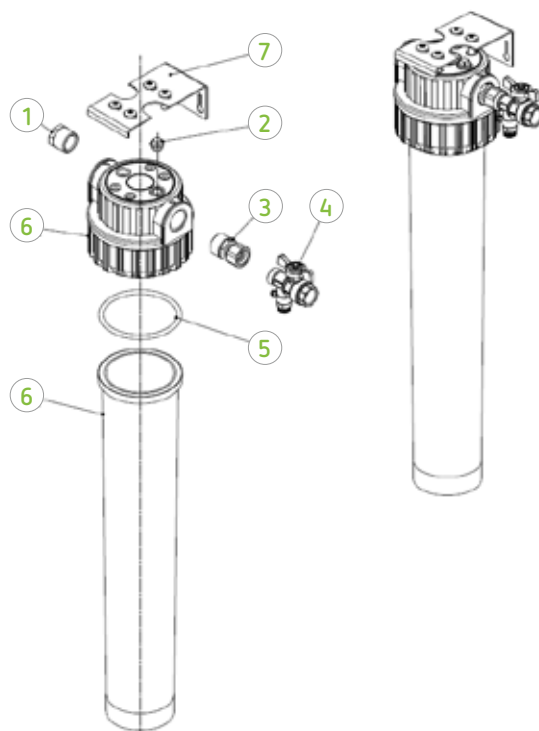


Fillcontrol Auto Compact

Item	Art. No.	Article name
	9119933	EPP housing
	9116812	Float valve
	9115069	Dirt trap G $\frac{3}{8}$
	9111050	Armoured hose 500 mm, G $\frac{3}{8}$
	9111088	Float switch (low water switch)
	9116811	System separator vessel
	7130274	Pressure sensor 0 – 10 bar DST P 140 4 – 20 mA
	9116813	Backflow preventer G $\frac{3}{8}$, IG x AG
	9112114	Pump head for DS 180
	9111732	Pump DS 180 (complete)
	9200240	Control Basic control cabinet
	9111733	Pump head armoured hose to the system separator vessel

Fillsoft

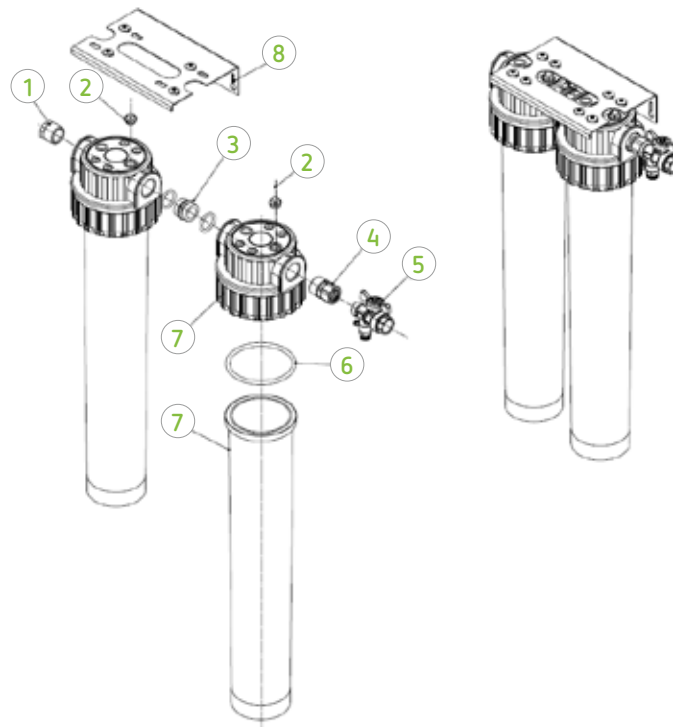
Fillsoft I



Fillsoft I

Item	Art. No.	Article name
1	9115206	Reducer R ¾" × Rp ½"
2	9110353	Blanking plug G ¼"
	9115638	Seal for blanking plug
3	9119250	Flow limiter
4	9119220	Ball valve with take-off valve
5	9119353	Sealing ring, filter housing
6	9125672	Plastic Filterfilter housing (with filter head) – complete
7	9119168	Wall suspension Fillsoft I – single
	9126232	Spare part seal Fillsoft cartridge (white)
Accessoires		
	6811800	Fillsoft cartridge (softening)
	9125662	Fillsoft Zero cartridge (demineralisation)
	9200276	Filter head key

Fillsoft II



Fillsoft II

Item	Art. No.	Article name
1	9115206	Reducer R ¾" × Rp ½"
2	9110353	Blanking plug ¼"
	9115638	Seal for blanking plug
3	9119174	Double nipple R ¾" × R ¾"
4	9119232	Segment coupling R ¾" × Rp ½" without inside thread
	9119354	Seal ½"
5	9119220	Ball valve with take-off valve
6	9119353	Sealing ring, filter housing
7	9125672	Plastic filter housing (with filter head) – complete
8	9119177	Wall mounting Fillsoft II – double
	9126232	Spare part seal Fillsoft cartridge (white)
Accessoires		
	6811800	Fillsoft cartridge (softening)
	9125662	Fillsoft Zero cartridge (demineralisation)
	9200276	Filter head key

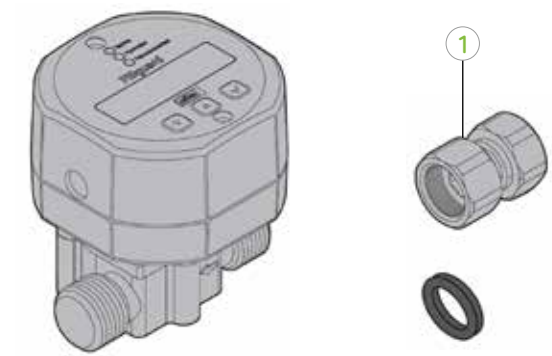
Fillmeter



Fillmeter

Item	Art. No.	Article name
1	9119354	Gasket AFM 34 18.6 x 13.5 x 2
2	9119202	Segment coupling 1/2" x 1/2" (brass)

Fillguard



Fillmeter

Item	Art. No.	Article name
1	9128927	Segment screw connection ½" incl. 2 seals
2	9128803	Power supply unit for Fillguard 230V-24V, 3W, 1.5m cable

Fillguard Plus



Fillmeter

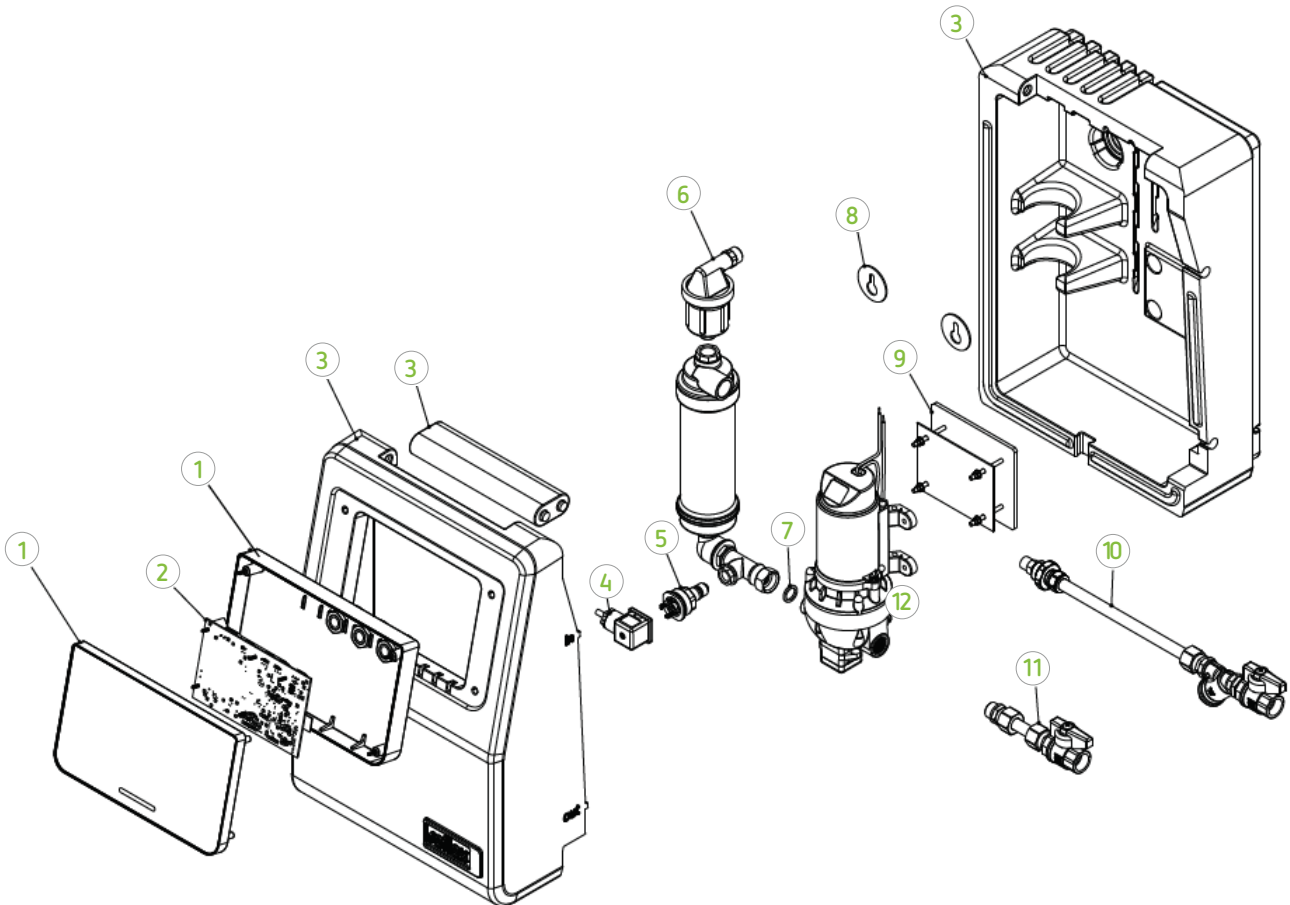
Pos.	Artikel-Nr.	Artikelbezeichnung
1	9131033	Fillguard Connect cable

Degassing systems & separation technology



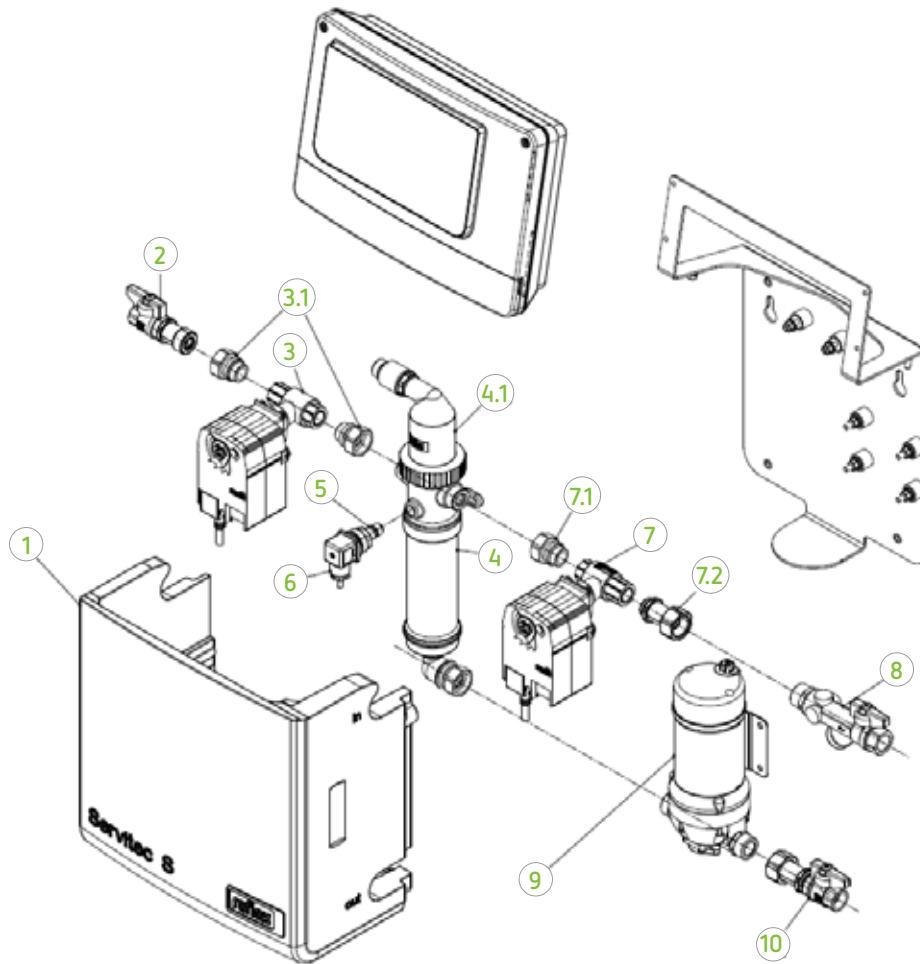
Servitec

Servitec Mini



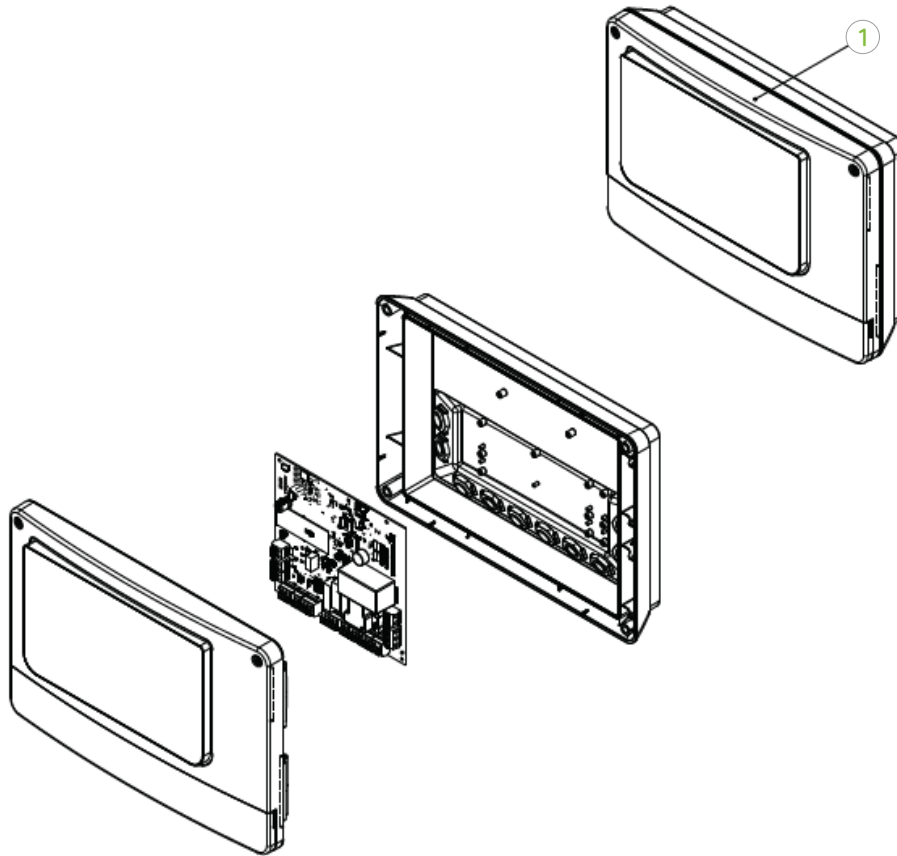
Item	Art. No.	Article name
1	-	Controller housing incl. coupling (without circuit board)
2	7540658	Servitec Mini circuit board including front cover
3	9129106	EPP housing
4/5	7131062	Pressure sensor -1/5B P140 sensor & 2.7cable
6	9117067	Air vent DN10 3/8"
7	9125671	Flat seal AFM 34
8	9127171	Holding plate D 40 x 1.5
9	7540880	Retaining plate housing
10	7540881	"Inlet" tie-in section – blue
11	7540882	"Outlet" tie-in section – red
12	9129107	Servitec Mini pump

Servitec S



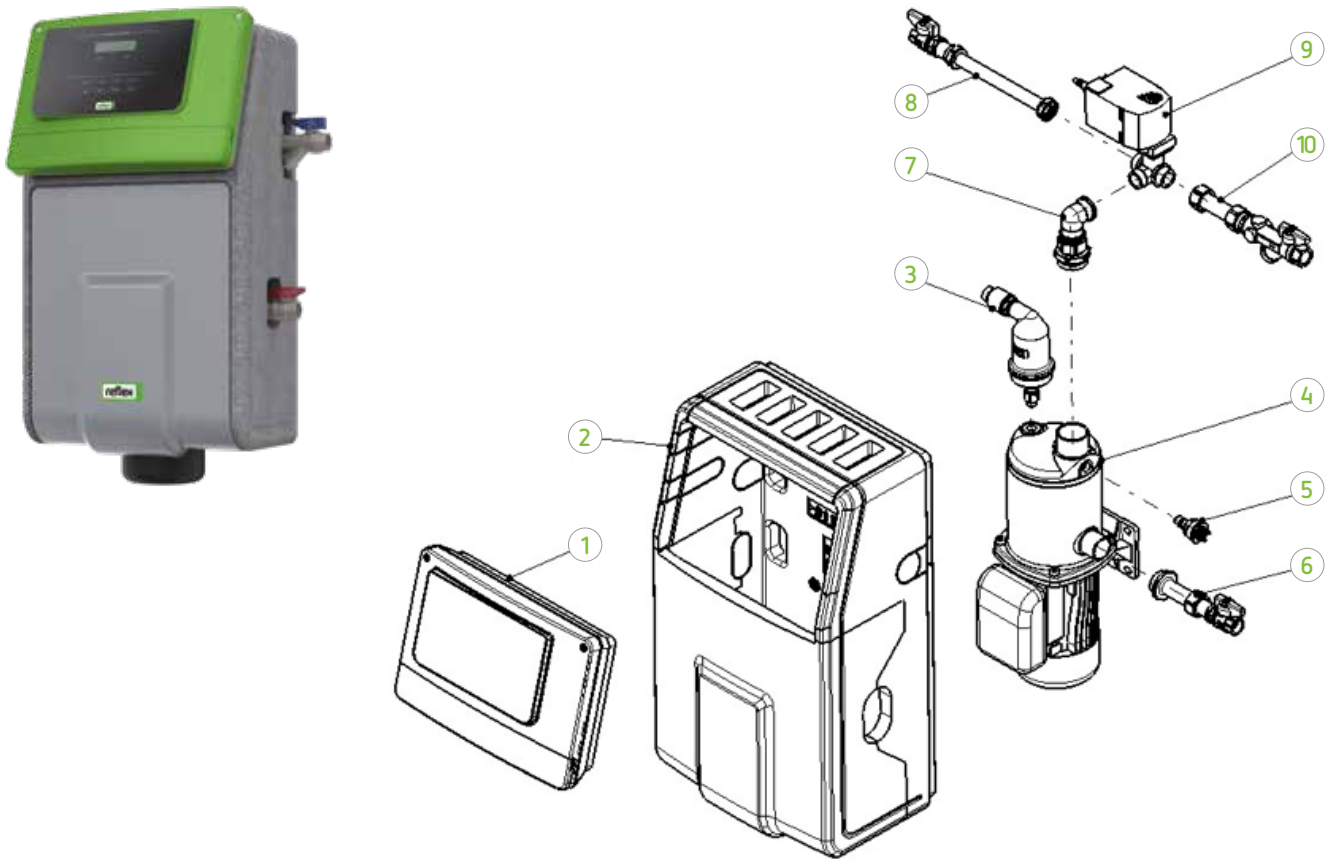
Item	Art. No.	Article name	Note
1	9129403	EPP housing	
2	7920458	Ball valve – green	
3	7920412	Motor ball valve (make-up)	
3.1	9117018	Coupling ½" AG x ¾" ÜWM (motor ball valve, water make-up)	
4	9129433	Servitec S spray tube (complete)	
4.1	7920455	Servitec S air vent (incl. O-ring and backflow preventer)	
5/6	7131062	Pressure sensor (–1 to 5 bar)	
7	7920411	Motorized ball valve (system side)	
7.1	9117018	Screw connection ½" AG x ¾" ÜWM (MKH system side)	
7.2	9129410	Screw connection ½" AG x ¾" ÜWM (MKH system side)	
8	7920457	Filter ball valve – blue	
9	7131081 + 7130448	Pump 230 V defective → Replace pump and control unit	Before 12/2022
	7131081 + 7130448	Control unit 230 V defective → Replace control unit and pump	Before 12/2022
	7131081	Pump for Servitec S – 24V	From 01/2023
	7130448	Control unit for Servitec – 24 V	From 01/2023
10	7920456	Ball valve – red	

Servitec S – Control cabinet



Item	Art. No.	Article name
1	9129404	Control cabinet Servitec S 230 V – complete (incl. circuit board)
	7130448	Control cabinet Servitec S 24V
2	9130103	Feeble-current fuse T8 A, 20 × 5 mm

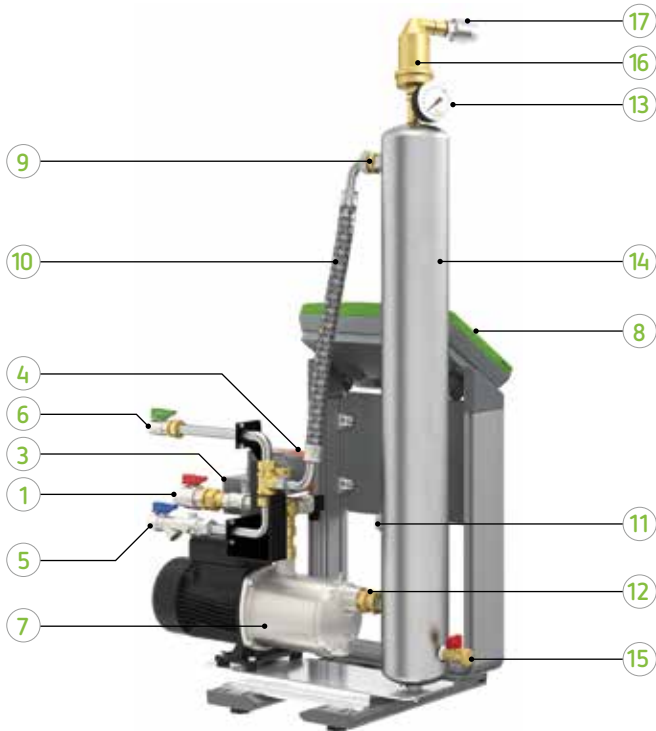
Servitec 25/30



Item	Art. No.	Article name
1	9200240	Reflex Control Basic control cabinet
2	9119933	Servitec housing
3	9117067	Servitec deaerator
	9119776	Adapter for air vent (3/8" IG x 1/4" AGO)
4	-	Pump*
5	7131062	Pressure sensor -1/5B P140 sensor & 2.7cable
6	9119929	Valve section (pump pressure side) - red
7	9119926	Nozzle holder
	9119772	Nozzle full cone 3 l/min
8	9119928	Make-up line (ball valve 1/2") - green
9	9119461	Motorized ball valve 3-way R515BL+TRF230C
10	9119773	Overflow section (filter ball valve) - blue

* Note: Please refer to Reflex. In case of a defective pump please change to Servitec S (Art.-No. 8832010).

Servitec 35 – 95

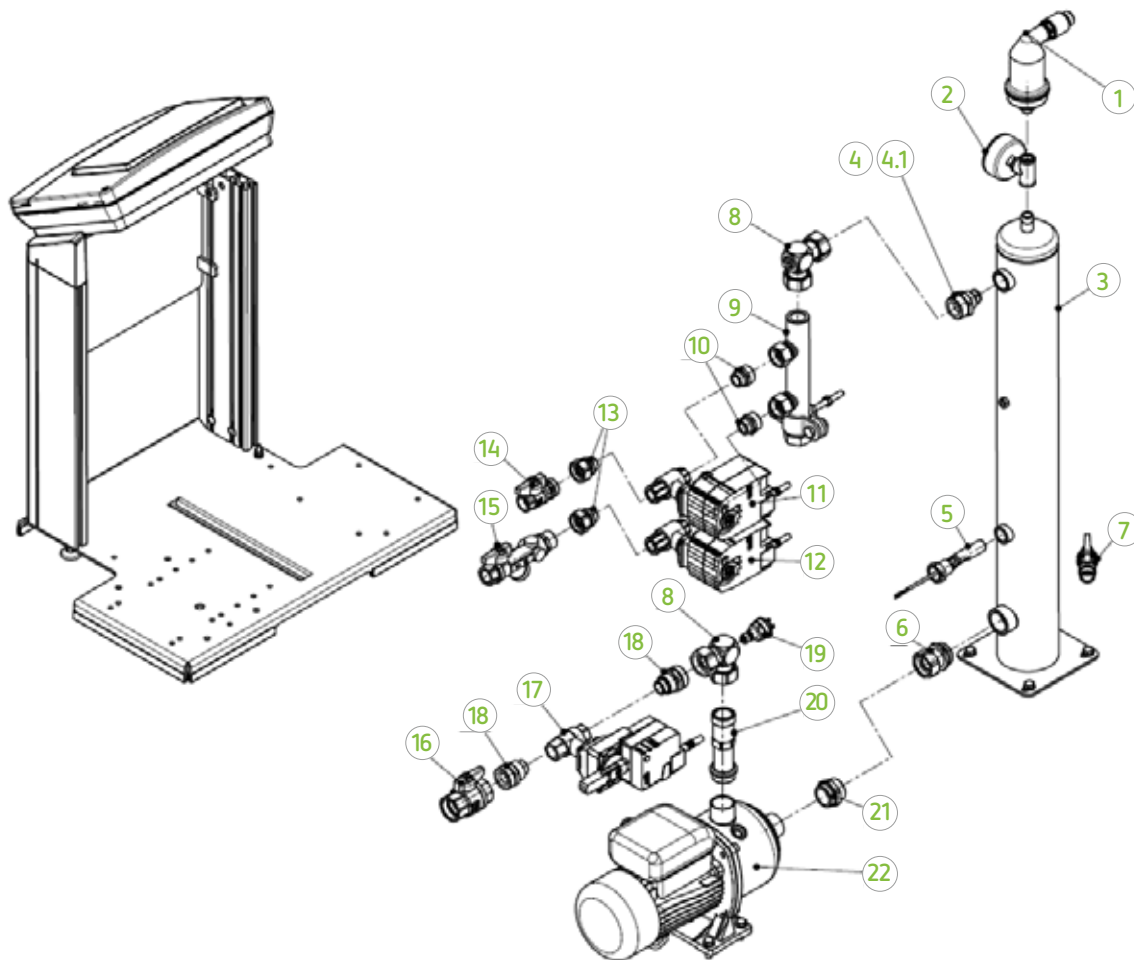


Servitec 60 – back view

Item	Art. No.	Article name
1	9119467	Ball valve 1" (pump pressure side)
	9119468	MS nipple (AG 1" × AGO ½" 43 mm)
	9119469	MS nipple (AG 1" × AGO ½" AGO 55 mm)
2	7130274	Pressure sensor 10B P140 sensor & 2.7 cable
	9119460	2-way motorized ball valve Servitec 35-60 DN15 (R2BRL-820)
3	9119647	2-way motor ball valve, Servitec 75 – 95 DN 25 (R2BRL-850)
	9119461	3-way motor ball valve, Servitec 35 – 95 (R515BL + TRF230C)
5	9119466	Overflow section (Filter ball valve ½")
6	9119465	Make-up section (ball valve ½")
7	9119223	Servitec 35 pump (2HM5) until 04/2016
	9131327	Servitec 35 pump (3HM04 - IE2) from 04/2016 (replacement for 9125225)
9117036	Servitec 60 pump (2HM7) until 04/2016 9117036 no longer exists	
9131328 + 7111120	Servitec 60 pump (3HM05 - IE2) + pump adapter set from 04/2016 - 03/2024 Replacement for 9125226	
	9131328	Servitec 60 pump (3HM05 - IE2) as of 04/2024
9131321	Servitec 75 pump (3SV10R011M - IE2) Replacement for the 9118305	
9131322	Servitec 95 pump (3SV12R011M - IE2) Replacement for the 9118306	
7111120	Pump adapter set RP3HM05 IE2 Replacement for VS 2-1/60 & Servitec 60 & Fillcontrol Auto 2PS & Servimat M & Skid variants	

Item	Art. No.	Article name
	9115580	Capacitor 16µF (IE2 1HM + 3HM02/ -03/ -04)
	9115581	Capacitor 25µF (IE2 3HM05)
8	9200240	Reflex Control Basic control cabinet
9	9119462	Reducing piece AG 1" × AG ¾" Servitec 35
	9117072	Reducing piece AG 1" × AG ¾" Servitec 60 to 120
	9116814	Reducing piece AG ¾" × AG ¼" Servitec 60/g
	9117059	Reducer with O-ring AG 1" × AG 1¼"
	9117070	Nozzle 12 l/min. for Servitec 35/60
	9117071	Nozzle 6 l/min. for Servitec 35 – 60/gl
	9119463	Nozzle 9 l/min. for Servitec 75
	9111006	Nozzle 7.5 l/min. for Servitec 95
10	9119359	Armoured hose Servitec 35
	9119369	Armoured hose Servitec 60 to 120
11	9125906	Float-switch ½" (cable length 1.0 m)
	9117037	Coupling spray tube intake side, 1" IG × ÜW
12	9116871	Vacuum meter, -1 to 9 bar, 63 mm, ¾" AG
	9291008	Spray tube 6 liter Servitec 35
	9291005	Spray pipe 10 liter Servitec 60 to 120
15	9113426	KFE tap
16	8826615	Servitec Exvoid T quick air vent incl. non-return valve
17	9125996	Backflow preventer for Exvoid T ½" & T ¾"
21	7999600	Complete valve set for Servitec 35 – 60
22	9119470	Angle
23	9116367	Backflow preventer DN 25, AG, with O-ring

Servitec 35 – 60 from 2020

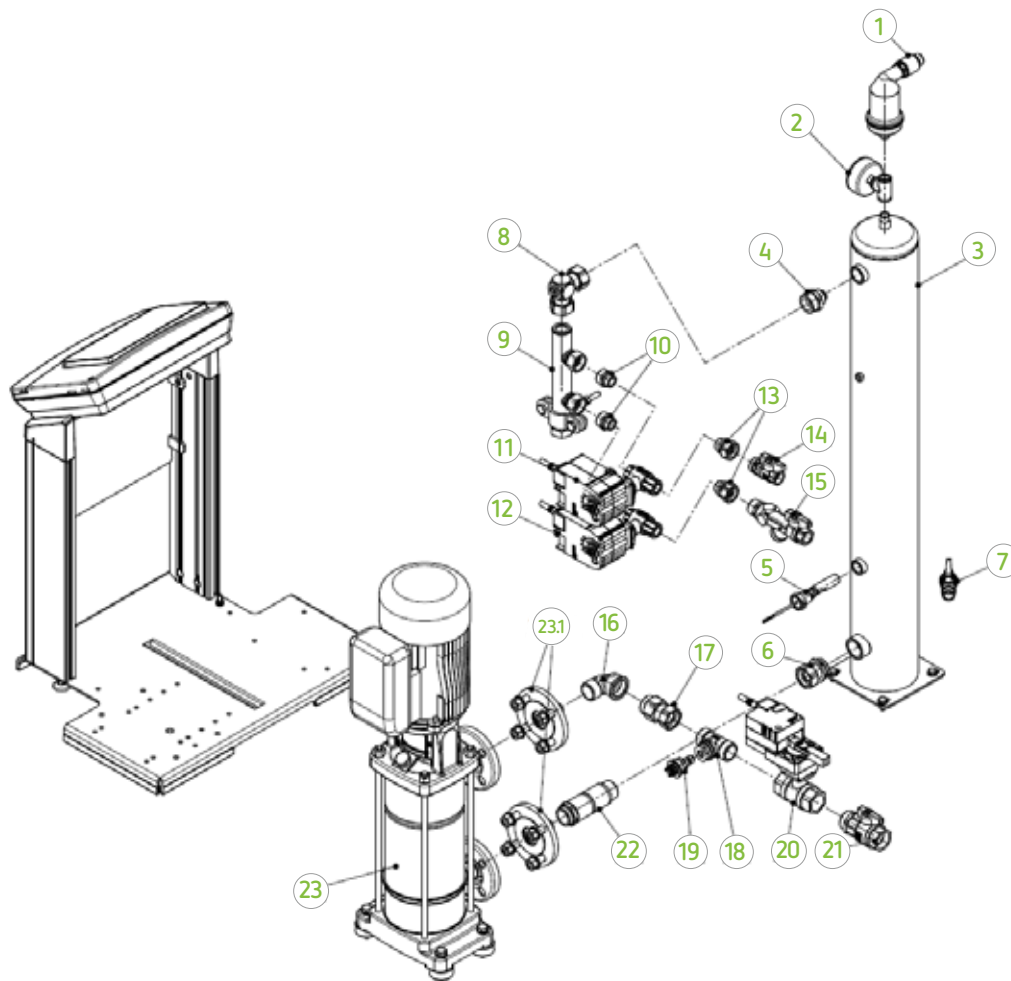


Exemplary representation using the example of Servitec 35 Basic 90 °C

Item	Art. No.	Article name
1	8826615	Exvoid T air vent incl. backflow preventer
2	7997057	Vacuum meter incl. T-piece vent
3	9291009	Spray tube Servitec 35 DN 80
	9291011	Spray tube Servitec 60 to 120 DN 100
4	7997058	Nozzle 12 l/min. for Servitec 35
4.1	7997059	Nozzle 12 l/min. for Servitec 60 with flow regulator
5	9125906	Float-switch 1/2"
6	7997060	Coupling spray tube (SET)
7	9113426	KFE valve 1/2"
8	7997061	Angle incl. seal and blanking plug SET
9	7997062	Distribution group Servitec 35 – 95 SET
10	7997065	Reducer AG 1/2" with O-ring on AG 3/4" (SYS-IN and water make-up)
11	7997063	2-way motor ball valve, water make-up NC, 1/2" IGthread
12	7997064	2-way motor ball valve SYS-IN NO, 1/2" IG
13	7997066	Coupling ÜWM 3/4" on AG 1/2" with O-ring (SYS-IN and water make-up)

Item	Art. No.	Article name	
14	7997067	Ball valve (water make-up) 3/4" AG – green	
15	7997068	Filter ball valve 3/4" AG – blue	
16	7997069	Ball valve 1" (pump pressure-side)	
17	7997070	2-way motor ball valve Servitec 35 – 60, 1/2" IG	
18	7997071	Reducer AG 1" x AG 1/2" with O-ring 43 mm (SYS-OUT)	
19	7130274	Pressure sensor 0 – 10 bar DST P 140 4 – 20 mA	
20	7997072	Spacer 1" AG, 1" AG with O-ring and mortise backflow preventer	
21	9117058	Double nipple 1" with O-ring	
22	9131327 + 9117058	Servitec 35 pump + double nipple	Replacement for 7997073
	9131328 + 7111120 + 9117058	Servitec 60 - 3HM05 IE2 pump + double nipple + pump adapter	Replacement for 7997074
	7111120	Pump adapter set RP3HM05 IE2	Replacement for VS 2-1/60 & Servitec 60 & Fillcontrol Auto 2PS & Servimat M & Skid variants
	9115580	Capacitor 16µF (IE2 1HM + 3HM02/-03/-04)	
	9115581	Capacitor 25µF (IE2 3HM05)	

Servitec 75 – 95 Buildyear 2020

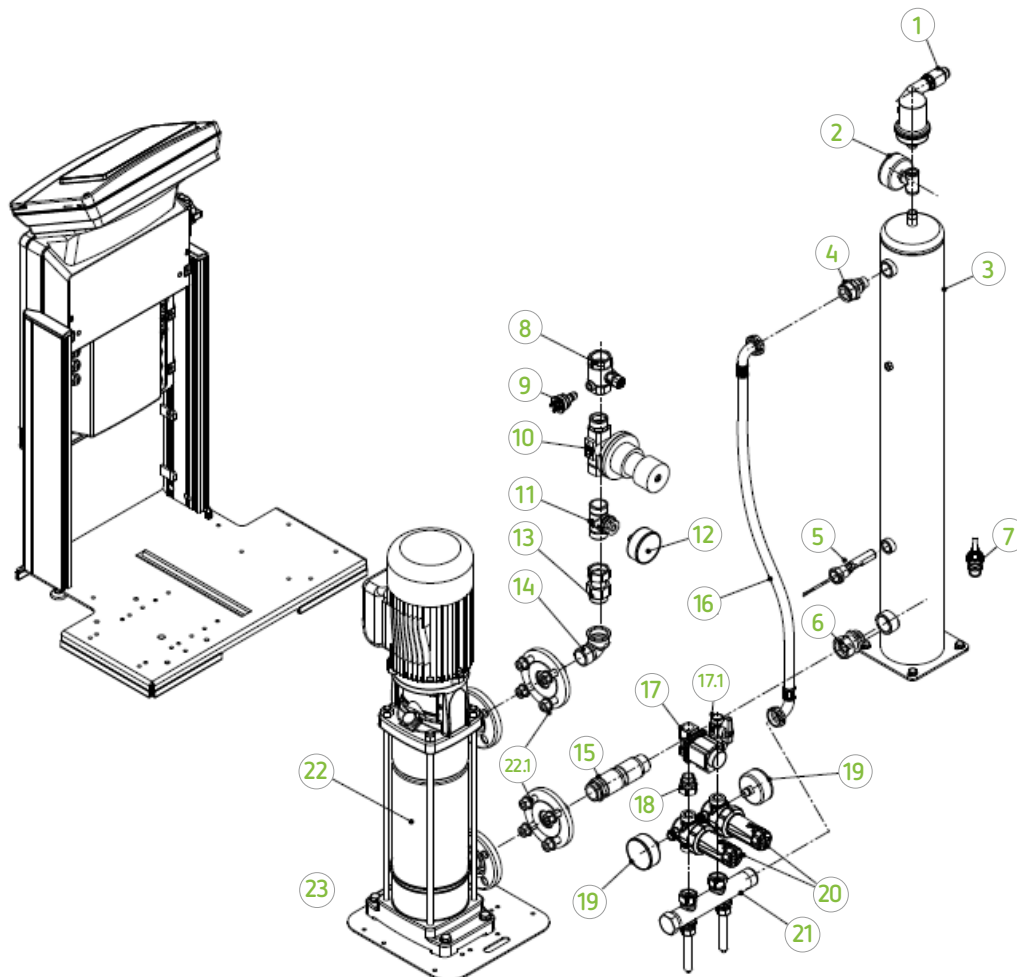


Exemplary representation using the example of Servitec 95 Basic 90 °C

Item	Art. No.	Article name
1	8826615	Exvoid T air vent incl. backflow preventer
2	7997057	Vacuum meter incl. T-piece vent
3	9291009	Spray tube Servitec 35 DN 80
	9291011	Spray tube Servitec 60 to 120 DN 100
4	7997075	Nozzle 9 l/min. for Servitec 75 (SET)
	7997076	Nozzle 7.5 l/min. for Servitec 95 (SET)
5	9125906	Float-switch ½"
6	7997060	Coupling spray tube (SET)
7	9113426	KFE valve ½"
8	7997061	Angle SET
9	7997062	Distribution group Servitec 35 – 95 SET
10	7997065	Reducer AG ½" with O-ring on AG ¾" (SYS-IN and water make-up)
11	7997063	2-way motor ball valve, water make-up NC, ½" IG
12	7997064	2-way motor ball valve SYS-IN NO, ½" IG

Item	Art. No.	Article name	
13	7997066	Coupling ÜWM ¾" on AG ½" with O-ring (SYS-IN and water make-up)	
14	7997067	Ball valve (water make-up) ¾" AG – green	
15	7997068	Filter ball valve ¾" AG – blue	
16	9117000	Angel 1"	
17	7997077	Coupling AG 1" on ÜWM 1" incl. seal	
18	7997078	T-piece AG 1" – AG 1" – IG ¾" with reducer AG ¾" on ¼"	
19	7130274	Pressure sensor 10B P140 sensor & 2.7 cable	
20	7997079	2-way motor ball valve Servitec 75 – 95, ½" IG	
21	9119467	Ball valve 1"	
22	7997080	Servitec 75-95 pump connection group, 120 extension SET	
23	9131321	Servitec 75 pump (3SV10R011M - IE2)	Replacement for 9118305
	9131322	Servitec 95 pump (3SV12R011M - IE2)	Replacement for 9118306
23.1	9116911	Flange set DN25 PN16	

Servitec 120 Buildyear 2020



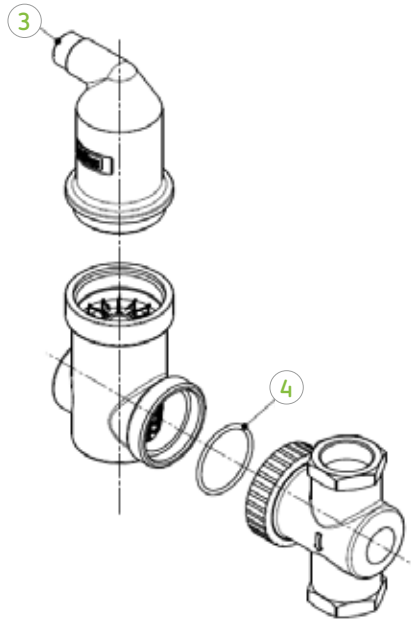
Exemplary representation using the example of Servitec 120 Touch 90 °C

Item	Art. No.	Article name
1	8826615	Exvoid T air vent incl. backflow preventer
2	7997057	Vacuum meter incl. T-piece vent
3	9291011	Spray tube, Servitec 60 to 120 DN 100
4	7997050	Nozzle 12 l/min. for Servitec 120
5	9125906	Float-switch ½"
6	7997060	Coupling spray tube (SET)
7	9113426	KFE valve ½"
8	9117053	Ball valve 1" IG / IG
9	7130274	Pressure sensor 10B P140 sensor & 2.7 cable
10	7997051	Overflow valve G ¾" incl. coupling
11	7997052	T-piece 1" AG – 1" AG – ¾" IG incl. reducer
12	9116854	Pressure gauge 0 – 16 bar R ¼"
13	7997053	Coupling backflow preventer 1"AG – 1" ÜWM incl. flat seal
14	9117000	Angle 1"

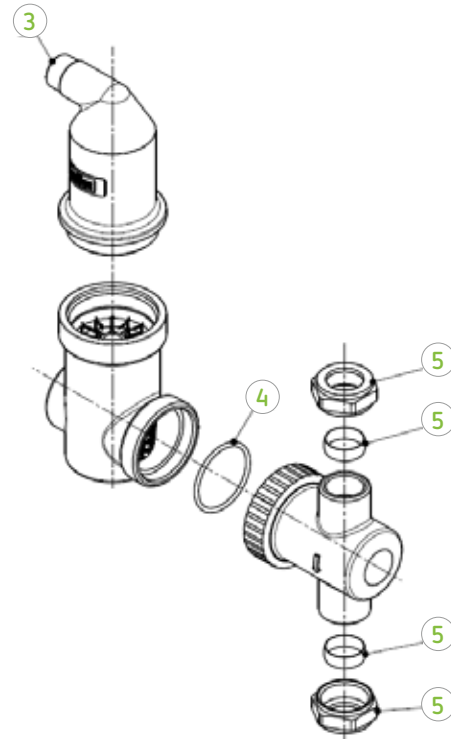
Item	Art. No.	Article name
15	7997080	Servitec 75-95 pump connection group, 120 extension SET
16	9117069	Armoured hose, Servitec 120
17	7997054	Solenoid valve EV 220 B ½ incl. coupling
17.1	7997055	Ball valve AG ¾" ÜWM ¾" incl. seal
18	9117004	Hexagon nut M12
19	9116874	Pressure gauge 0-6 bar D 63mm ¼" AG
20	9116676	Pressure limiter DN 15 ¾" AG
21	7997056	Collector, Servitec 120 SET
22	9118301	Pump, Servitec 120
22.1	9116911	Flange seal DN 25

Twist brass separators

Exvoid Twist



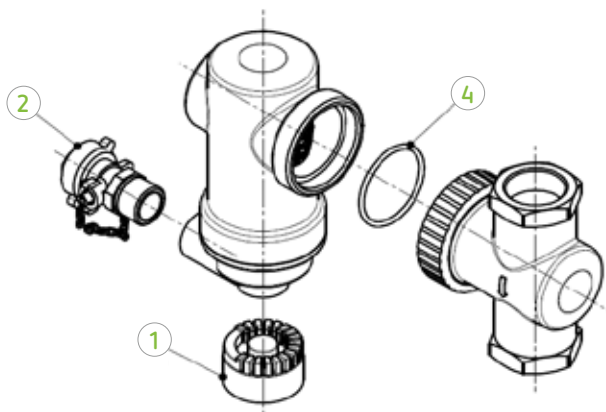
Exvoid Twist AT 1" M



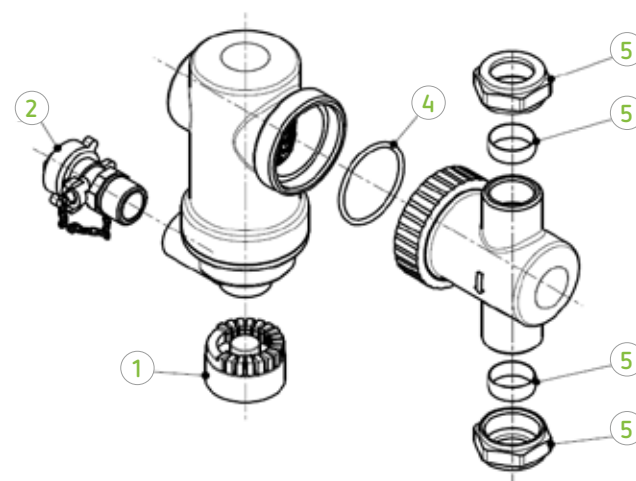
Exvoid Twist AT 22 M

Item	Art. No.	Article name
3	9255802	Exvoid solar replacement cap 22 mm 1 1/2" (vent cap)
4	9258630	Twist seperator O-ring
5	9258620	Clamping ring and union nut – set

Exdirt Twist



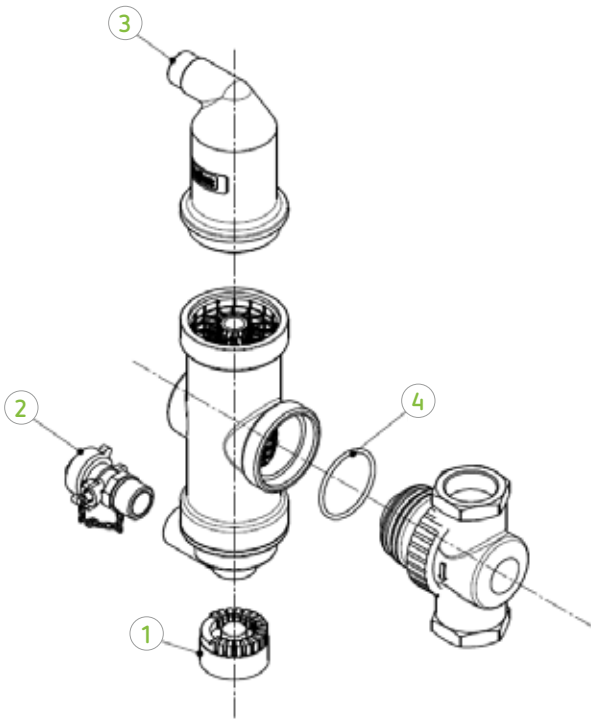
Exdirt Twist DT 1" M



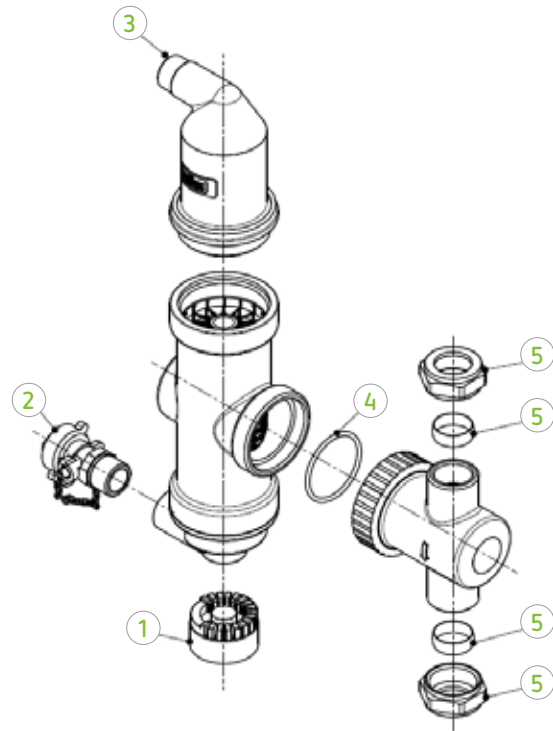
Exdirt Twist DT 22 M

Item	Art. No.	Article name
1	9258600	Exferro Easy Clip high-performance magnet
2	9258610	KFE valve (drain valve)
4	9258630	Twist separator O-ring
5	9258620	Clamping ring and union nut – set

Extwin Twist



Extwin Twist TWT 1" M



Extwin Twist TWT 22 M

Item	Art. No.	Article name
1	9258600	Exferro Easy Clip high-performance magnet
2	9258610	KFE valve (drain valve)
3	9255802	Exvoid solar replacement cap 22 mm 1 1/2" (vent cap)
4	9258630	Twist seperator O-ring
5	9258620	Clamping ring and union nut – set

Hot water storage tanks & heat exchangers



Storatherm Aqua

Storatherm Aqua AF 150 – 200 liters /1M

Speicher	Art. No.	Article name
7861600 AF 150/1M_B w 7861100 AF 150/1M_B s	5452200	Anode G 1 × 26 × 480
	5416300	Blind flange DN 110 coated, membrane seal
	5415900	Flange seal DN 110, membrane seal
	5884800	9118265 thermometer incl. clamp spring L = 2 × 30,
	5995000	Adjustable feet accessorie set M 12 + MUT
	5996300	Rosette set for Aqua, Aqua Solar, Aqua Heat Pump (to 500 l)
	5416800	Flange cover LK 150 for AF 150 – 500
	5417500	Plastic cover D 540
	5000600	Plastic cover D 100
	5001200	VL ronde D 90 × 50
	5110400	VL ronde D 183 × 50
	5110600	VL ronde D 100 × 50
	5110700	VL ronde D 100 × 50 × 55
	5126000	FMP AF 150/1M_B w
5126100	FMP AF 150/1M_B s	
7861700 AF 200/1M_B w 7861200 AF 200/1M_B s 7847600 AF 200/1M_C 7847100 AF 200/1M_C s	5415200	Anode G 1 × 26 × 550
	5416300	Blind flange DN 110 coated, membrane seal
	5415900	Flange seal DN 110, membrane seal
	5884800	9118265 thermometer incl. clamp spring L = 2 × 30,
	5995000	Adjustable feet accessorie set M 12 + MUT
	5996300	Rosette set for Aqua, Aqua Solar, Aqua Heat Pump (to 500 l)
	5416800	Flange cover LK 150 for AF 150 – 500
	5417700	Plastic cover D 600
	5000600	Plastic cover D 100
	5417500	Plastic cover D 540
	5001200	VL ronde D 90 × 50
	5110500	VL ronde D 183 × 100
	5110600	VL ronde D 100 × 50
	5110700	VL ronde D 100 × 50 × 55
	5126200	FMP AF 200/1M_B w
	5126300	FMP AF 200/1M_B s
	5126400	FMP AF 200/1M_C w
5126500	FMP AF 200/1M_C s	

Storatherm Aqua AF 300 – 400 liters /1M

Speicher	Art. No.	Article name	
7861800 AF 300/1M_B w 7861300 AF 300/1M_B s	5453400	Anode G 1 × 26 × 800	
	5416300	Blind flange DN 110 coated, membrane seal	
	5415900	Flange seal DN 110, membrane seal	
	5418600	RWT 1 (11 KW)	
	5418700	Flange for RWT 1	
	5410200	Ring seal for RWT 1	
	5884800	9118265 thermometer incl. clamp spring L = 2 × 30,	
	5995000	Adjustable feet accessorie set M 12 + MUT	
	5996300	Rosette set for Aqua, Aqua Solar, Aqua Heat Pump (to 500 l)	
	5416800	Flange cover LK 150 for AF 150 – 500	
	5417600	Plastic cover D 700	
	5000600	Plastic cover D 100	
	5001200	VL ronde D 90 × 50	
	5110400	VL ronde D 183 × 50	
	5110600	VL ronde D 100 × 50	
	5110700	VL ronde D 100 × 50 × 55	
	5126600	FMP AF 300/1M_B w	
	5126700	FMP AF 300/1M_B s	
	7861900 AF 400/1M_B w 7861400 AF 400/1M_B s 7847800 AF 400/1M_C w 7847300 AF 400/1M_C s	5453300	Anode G 1 × 26 × 900
		5416300	Blind flange DN 110 coated, membrane seal
5415900		Flange seal DN 110, membrane seal	
5418600		RWT 1 (11 KW)	
5418700		Flange for RWT 1	
5410200		Ring seal for RWT 1	
5884800		9118265 thermometer incl. clamp spring L = 2 × 30,	
5995000		Adjustable feet accessorie set M 12 + MUT	
5996300		Rosette set for Aqua, Aqua Solar, Aqua Heat Pump (to 500 l)	
5416800		Flange cover LK 150 for AF 150 – 500	
5000500		Plastic cover D 750	
5000600		Plastic cover D 100	
5001200		VL ronde D 90 × 50	
5110500		VL ronde D 183 × 100	
5110600		VL ronde D 100 × 50	
5110700		VL ronde D 100 × 50 × 55	
5126800		FMP AF 400/1M_B w	
5129600		FMP AF 400/1M_B s	
5127000		FMP AF 400/1M_C w	
5127100		FMP AF 400/1M_C s	

Storatherm Aqua AF 500 liters /1M

Speicher	Art. No.	Article name	
7862000 AF 500/1M_B w	5452500	Anode G 1 × 26 × 1,100	
	5416300	Blind flange DN 110 coated, membrane seal	
	5415900	Flange seal DN 110, membrane seal	
	5418600	RWT 1 (11 KW)	
	5418700	Flange for RWT 1	
	5410200	Ring seal for RWT 1	
	7861500 AF 500/1M_B s	5884800	9118265 thermometer incl. clamp spring L = 2 × 30,
		5995000	Adjustable feet accessorie set M 12 + MUT
	7847900 AF 500/1M_C w	5996300	Rosette set for Aqua, Aqua Solar, Aqua Heat Pump (to 500 l)
		5416800	Flange cover LK 150 for AF 150 – 500/1
	7847400 AF 500/1M_C s	5000500	Plastic cover D 750
		5000600	Plastic cover D 100
		5001200	VL ronde D 90 × 50
		5110500	VL ronde D 183 × 100
		5110600	VL ronde D 100 × 50
5110700		VL ronde D 100 × 50 × 55	
5127200		FMP AF 500/1M_B w	
5127300	FMP AF 500/1M_B s		
5127400	FMP AF 500/1M_C w		
5127500	FMP AF 500/1M_C s		

Storatherm Aqua AF 150 – 300 liters /1_A

Speicher	Art. No.	Article name	
7355100 AF 150/1_A w	5415200	Anode G 1 × 26 × 550	
	5416300	Blind flange DN 110 coated, membrane seal	
	5415900	Flange seal DN 110, membrane seal	
	5884800	9118265 thermometer incl. clamp spring L = 2 × 30,	
	5415200	Adjustable feet accessorie set M 12 + MUT	
	5995000	Plastic cover D 100	
	5000600	Plastic cover 650 × 650	
	7350100 AF 150/1_A s	5133000	Flange cover D 200
		5133300	VL ronde D 90 × 50
		5001200	VL ronde D 100 × 50
		5110600	VL ronde D 100 × 50 × 55
		5110700	VL ronde D 210 × 100
		5133400	FMP AF 150/1M_A w
	5133500	FMP AF 150/1M_A s	
7355200 AF 200/1_A w	5453400	Anode G 1 × 26 × 800	
	5416300	Blind flange DN 110 coated, membrane seal	
	5415900	Flange seal DN 110, membrane seal	
	5884800	9118265 thermometer incl. clamp spring L = 2 × 30,	
	5995000	Adjustable feet accessorie set M 12 + MUT	
	5000600	Plastic cover D 100	
	5133000	Plastic cover 650 × 650	
	7350200 AF 200/1_A s	5133300	Flange cover D 200
		5001200	VL ronde D 90 × 50
		5110600	VL ronde D 100 × 50
		5110700	VL ronde D 100 × 50 × 55
		5133600	FMP AF 200/1M_A w
		5133700	FMP AF 200/1M_A s
	7355300 AF 300/1_A w	5453400	Anode G 1 × 26 × 800
5416300		Blind flange DN 110 coated, membrane seal	
5415900		Flange seal DN 110, membrane seal	
5884800		9118265 thermometer incl. clamp spring L = 2 × 30,	
5995000		Adjustable feet accessorie set M 12 + MUT	
5000600		Plastic cover D 100	
5133100		Plastic cover 750 × 750	
7350300 AF 300/1_A s		5133300	Flange cover D 200
		5001200	VL ronde D 90 × 50
		5110600	VL ronde D 100 × 50
		5110700	VL ronde D 100 × 50 × 55
		5133800	FMP AF 300/1M_A w
		5133900	FMP AF 300/1M_A s

Storatherm Aqua AF 400 – 500 liters /1_A

Speicher	Art. No.	Article name	
7355400 AF 400/1_A w	5453300	Anode G 1 × 26 × 900	
	5416300	Blind flange DN 110 coated, membrane seal	
	5415900	Flange seal DN 110, membrane seal	
	5884800	9118265 thermometer incl. clamp spring L = 2 × 30,	
	5995000	Adjustable feet accessorie set M 12 + MUT	
	5000600	Plastic cover D 100	
	5133200	Plastic cover 790 × 790	
	7350400 AF 400/1_A s	5133300	Flange cover D 200
		5001200	VL ronde D 90 × 50
		5110600	VL ronde D 100 × 50
		5110700	VL ronde D 100 × 50 × 55
		5134000	FMP AF 400/1M_A w
5134100		FMP AF 400/1M_A s	
7355500 AF 500/1_A w	5452500	Anode G 1 × 26 × 1,100	
	5416300	Blind flange DN 110 coated, membrane seal	
	5415900	Flange seal DN 110, membrane seal	
	5884800	9118265 thermometer incl. clamp spring L = 2 × 30,	
	5995000	Adjustable feet accessorie set M 12 + MUT	
	5000600	Plastic cover D 100	
	5133200	Plastic cover 790 × 790	
	7350500 AF 500/1_A s	5133300	Flange cover D 200
		5001200	VL ronde D 90 × 50
		5110600	VL ronde D 100 × 50
		5110700	VL ronde D 100 × 50 × 55
		5134000	FMP AF 500/1M_A w
5134300		FMP AF 500/1M_A s	

Storatherm Aqua AF 750 – 3,000 liters /1_C

Speicher	Art. No.	Article name	Note	
7848000 AF 750/1_C w	5455500	Anode G 1 ¼ × 33 × 530 insulated (2 pieces each storage tank)		
	5416400	Blind flange DN 180 (enamelled), profile seal		
	5419100	Flange seal DN 180, profile seal		
	5418900	RWT 2 (39 KW)		
	5419000	Flange for RWT 2 (flat)		
	5419100	Ring seal for RWT 2		
	5884800	9118265 thermometer incl. clamp spring L = 2 × 30,		
	5001500	Adjustable feet accessorie set M 16		
	5995700	Rosette set for Aqua, Aqua Solar (from 750 l)		
	7838000 AF 750/1_C s	5997100	Flange cover D 280	
		5912100	Plastic cover D 960	
		5120200	VL ronde D 260 × 100	
		5120400	VL head insulated D 770 × 120	
		5911300	VL insulated KIT AF 750/1_C w	produced before 28/02/2017
		5921000	VL insulated KIT AF 750/1_C w	produced from 01/03/2017
	5915000	VL insulated KIT AF 750/1_C s	produced before 28/02/2017	
	5921500	VL insulated KIT AF 750/1_C s	produced from 01/03/2017	
7848100 AF 1,000/1_C w	5415300	Anode G 1 ¼ × 33 × 625		
	5416400	Blind flange DN 180 (enamelled), profile seal		
	5419100	Flange seal DN 180, profile seal		
	5418900	RWT 2 (39 KW)		
	5419000	Flange for RWT 2 (flat)		
	5419100	Ring seal for RWT 2		
	5884800	9118265 thermometer incl. clamp spring L = 2 × 30,		
	5001500	Adjustable feet accessorie set M 16		
	5995700	Rosette set for Aqua, Aqua Solar (from 750 l)		
	7838100 AF 1,000/1_C s	5997100	Flange cover D 280	
		5912200	Plastic cover D 1,065	
		5120200	VL ronde D 260 × 100	
		5120600	VL head insulated D 870 × 120	
		5911600	VL insulated KIT AF 1,000/1_C w	produced before 28/02/2017
		5921200	VL insulated KIT AF 1,000/1_C w	produced from 01/03/2017
	5915200	VL insulated KIT AF 1,000/1_C s	produced before 28/02/2017	
7848200 AF 1,500/1_C w	5914100	VL insulated KIT AF 1,500/1_C w		
7848300 AF 2,000/1_C w	5136500	PVC cover D 1,440 without hole		
	5914200	VL insulated KIT AF 2,000/1_C w		
7848400 AF 3,000/1_C w	5914300	VL insulated KIT AF 3,000/1_C w		

Storatherm Aqua AB 100 – 300 liters /1_C /1_B

Speicher	Art. No.	Article name	
7895500 AB 100/1_C w	5415000	Anode G 1 × 26 × 400	
	5884800	9118265 thermometer incl. clamp spring L = 2 × 30,	
	5995000	Adjustable feet accessorie set M 12 + MUT	
	5996300	Rosette set for Aqua, Aqua Solar, Aqua Heat Pump (to 500 l)	
	7846400 AB 100/1_C s	5998200	Plastic cover D 512
		5417500	Plastic cover D 540
		5001200	VL ronde D 90 × 50
	5001400	VL ronde D 60 × 50	
7895600 AB 150/1_B w	5452200	Anode G 1 × 26 × 480	
	5416300	Blind flange DN 110 coated, membrane seal	
	5415900	Flange seal DN 110, membrane seal	
	5884800	9118265 thermometer incl. clamp spring L = 2 × 30,	
	5995000	Adjustable feet accessorie set M 12 + MUT	
	7846500 AB 150/1_B s	5996300	Rosette set for Aqua, Aqua Solar, Aqua Heat Pump (to 500 l)
		5416900	Flange cover LK 150 for AB to D = 600
		5417500	Plastic cover D 540
	5001200	VL ronde D 90 × 50	
	5110900	VL ronde D 210 × 50	
7895700 AB 200/1_C w	5415200	Anode G 1 × 26 × 550	
	5416300	Blind flange DN 110 coated, membrane seal	
	5415900	Flange seal DN 110, membrane seal	
	5884800	9118265 thermometer incl. clamp spring L = 2 × 30,	
	5995000	Adjustable feet accessorie set M 12 + MUT	
	5996300	Rosette set for Aqua, Aqua Solar, Aqua Heat Pump (to 500 l)	
	7846600 AB 200/1_C s	5416900	Flange cover LK 150 for AB to D = 600
		5417500	Plastic cover D 540
		5001200	VL ronde D 90 × 50
	5110900	VL ronde D 210 × 50	
	5120100	VL ronde D 250 × 50	
7895800 AB 300/1_B w	5453400	Anode G 1 × 26 × 800	
	5416300	Blind flange DN 110 coated, membrane seal	
	5415900	Flange seal DN 110, membrane seal	
	5418600	RWT 1 (11 KW)	
	5418700	Flange for RWT 1	
	5410200	Ring seal for RWT 1	
	7846700 AB 300/1_B s	5884800	9118265 thermometer incl. clamp spring L = 2 × 30,
		5995000	Adjustable feet accessorie set M 12 + MUT
		5996300	Rosette set for Aqua, Aqua Solar, Aqua Heat Pump (to 500 l)
		5417000	Flange cover LK 150 for steel jacket
	5417600	Plastic cover D 700	
	5001200	VL ronde D 90 × 50	
	5110900	VL ronde D 210 × 50	

Storatherm Aqua AB 400 – 3,000 liters /1_C /1_B

Speicher	Art. No.	Article name
7895900 AB 400/1_C w 7846800 AB 400/1_C s	5453300	Anode G 1 × 26 × 900
	5416300	Blind flange DN 110 coated, membrane seal
	5415900	Flange seal DN 110, membrane seal
	5418600	RWT 1 (11 KW)
	5418700	Flange for RWT 1
	5410200	Ring seal for RWT 1
	5884800	9118265 thermometer incl. clamp spring L = 2 × 30,
	5995000	Adjustable feet accessorie set M 12 + MUT
	5996300	Rosette set for Aqua, Aqua Solar, Aqua Heat Pump (to 500 l)
	5417000	Flange cover LK 150 for steel jacket
	5417600	Plastic cover D 700
	5001200	VL ronde D 90 × 50
	5110900	VL ronde D 210 × 50
	5120100	VL ronde D 250 × 50
7896100 AB 500/1_C w 7896100 AB 500/1_C s	5452500	Anode G 1 × 26 × 1,100
	5416300	Blind flange DN 110 coated, membrane seal
	5415900	Flange seal DN 110, membrane seal
	5418600	RWT 1 (11 KW)
	5418700	Flange for RWT 1
	5410200	Ring seal for RWT 1
	5884800	9118265 thermometer incl. clamp spring L = 2 × 30,
	5995000	Adjustable feet accessorie set M 12 + MUT
	5996300	Rosette set for Aqua, Aqua Solar, Aqua Heat Pump (to 500 l)
	5417000	Flange cover LK 150 for steel jacket
	5417600	Plastic cover D 700
	5001200	VL ronde D 90 × 50
	5110900	VL ronde D 210 × 50
	5120100	VL ronde D 250 × 50

Storatherm Aqua Solar

Storatherm Aqua Solar AF 200 liters /2_A /2_B /2_C

Speicher	Art. No.	Article name	
7862100 AF 200/2_B w	5415200	Anode G 1 × 26 × 550	
	5416300	Blind flange DN 110 coated, membrane seal	
	5415900	Flange seal DN 110, membrane seal	
	5884800	9118265 thermometer incl. clamp spring L = 2 × 30,	
	5995000	Adjustable feet accessorie set M 12 + MUT	
	5996300	Rosette set for Aqua, Aqua Solar, Aqua Heat Pump (to 500 l)	
	5416800	Flange cover LK 150 for AF 150 – 500	
	7848800 AF 200/2_C w	5417700	Plastic cover D 600
		5001200	VL ronde D 90 × 50
		5110500	VL ronde D 183 × 100
		5110600	VL ronde D 100 × 50
		5110700	VL ronde D 100 × 50 × 55
		5127600	FMP AF 200/2_B w
		3805600	FMP AF 200/2_C w
7355600 AF 200/2_A w	5453400	Anode G 1 × 26 × 800	
	5994600	9118000 thermometer incl. clamp spring L = 2 × 30,	
	5995000	Adjustable feet accessorie set M 12 + MUT	
	5001200	VL ronde D 90 × 50	
	7350600 AF 200/2_A s	5110700	VL ronde D 100 × 50 × 55
		5134400	FMP AF 200/2_A w
5134500		FMP AF 200/2_A s	
7896700 AF 200/2_B s	5415200	Anode G 1 × 26 × 550	
	5416300	Blind flange DN 110 coated, membrane seal	
	5415900	Flange seal DN 110, membrane seal	
	5884800	9118265 thermometer incl. clamp spring L = 2 × 30,	
	5995000	Adjustable feet accessorie set M 12 + MUT	
	5996300	Rosette set for Aqua, Aqua Solar, Aqua Heat Pump (to 500 l)	
	5416800	Flange cover LK 150 for AF 150 – 500	
	5417700	Plastic cover D 600	
	7896800 AF 200/2_C s	5000600	Plastic cover D 100
		5001200	VL ronde D 90 × 50
		5110500	VL ronde D 183 × 100
		5110600	VL ronde D 100 × 50
		5110700	VL ronde D 100 × 50 × 55
		5131600	FMP AF 200/2_B s
5131700		FMP AF 200/2_C s	

Storatherm Aqua Solar AF 300 liters /2_A /2_B

Speicher	Art. No.	Article name	
7355700 AF 300/2_A w	5453300	Anode G 1 × 26 × 900	
	5416300	Blind flange DN 110 coated, membrane seal	
	5415900	Flange seal DN 110, membrane seal	
	5418600	RWT 1 (11 KW)	
	5418700	Flange for RWT 1	
	5410200	Ring seal for RWT 1	
	5994600	9118000 thermometer incl. clamp spring L = 2 × 30,	
	5995000	Adjustable feet accessorie set M 12 + MUT	
	7350700 AF 300/2_A s	5000600	Plastic cover D 100
		5133100	Plastic cover 750 × 750
		5133300	Flange cover D 200
		5001200	VL ronde D 90 × 50
		5110700	VL ronde D 100 × 50 × 55
	5134700	FMP AF 300/2_A w	
	5134800	FMP AF 300/2_A s	
7849800 AF 300/2_B w	5453400	Anode G 1 × 26 × 800	
	5416300	Blind flange DN 110 coated, membrane seal	
	5415900	Flange seal DN 110, membrane seal	
	5418600	RWT 1 (11 KW)	
	5418700	Flange for RWT 1	
	5410200	Ring seal for RWT 1	
	5884800	9118265 thermometer incl. clamp spring L = 2 × 30,	
	5995000	Adjustable feet accessorie set M 12 + MUT	
	5996300	Rosette set for Aqua, Aqua Solar, Aqua Heat Pump (to 500 l)	
	5416800	Flange cover LK 150 for AF 150 – 500	
	5417600	Plastic cover D 700	
	5000600	Plastic cover D 100	
	5001200	VL ronde D 90 × 50	
	5110400	VL ronde D 183 × 50	
	5110600	VL ronde D 100 × 50	
5110700	VL ronde D 100 × 50 × 55		
5127700	FMP AF 300/2_B w		

Storatherm Aqua Solar AF 300 liters /2S_B /2S_C

Speicher	Art. No.	Article name
7862200 AF 300/2S_B w	5452500	Anode G 1 × 26 × 1,100
	7751600	Anode G 1 × 1,580 – KETTENANODE
	5455500	Anode G 1 ¼ × 33 × 530 insulated (2 pieces each storage tank)
	5416300	Blind flange DN 110 coated, membrane seal
	5415900	Flange seal DN 110, membrane seal
	5884800	9118265 thermometer incl. clamp spring L = 2 × 30,
	5995000	Adjustable feet accessorie set M 12 + MUT
	5996300	Rosette set for Aqua, Aqua Solar, Aqua Heat Pump (to 500 l)
	5416800	Flange cover LK 150 for AF 150 – 500
	5999900	Plastic cover D 650
	5000600	Plastic cover D 100
	5001200	VL ronde D 90 × 50
	5110500	VL ronde D 183 × 100
	5110600	VL ronde D 100 × 50
	5110700	VL ronde D 100 × 50 × 55
	5127800	FMP AF 300/2S_B w
7862500 AF 300/2S_B s	5452500	Anode G 1 × 26 × 1,100
	5416300	Blind flange DN 110 coated, membrane seal
	5415900	Flange seal DN 110, membrane seal
	5884800	9118265 thermometer incl. clamp spring L = 2 × 30,
	5995000	Adjustable feet accessorie set M 12 + MUT
	5996300	Rosette set for Aqua, Aqua Solar, Aqua Heat Pump (to 500 l)
	5416800	Flange cover LK 150 for AF 150 – 500
	5999900	Plastic cover D 650
	5000600	Plastic cover D 100
	5001200	VL ronde D 90 × 50
	5110500	VL ronde D 183 × 100
	5110600	VL ronde D 100 × 50
5110700	VL ronde D 100 × 50 × 55	
5127900	FMP AF 300/2S_B s	
7849000 AF 300/2S_C w 7836300 AF 300/2S_C s	5452500	Anode G 1 × 26 × 1,100
	5416300	Blind flange DN 110 coated, membrane seal
	5415900	Flange seal DN 110, membrane seal
	5884800	9118265 thermometer incl. clamp spring L = 2 × 30,
	5995000	Adjustable feet accessorie set M 12 + MUT
	5996300	Rosette set for Aqua, Aqua Solar, Aqua Heat Pump (to 500 l)
	5416800	Flange cover LK 150 for AF 150 – 500
	5417700	Plastic cover D 600
	5001200	VL ronde D 90 × 50
	5001400	VL ronde D 60 × 50
	5110400	VL ronde D 183 × 50
	3804200	FMP AF 300/2S_C w
	5902600	FMP AF 300/2S_C s

Storatherm Aqua Solar AF 400 liters /2_A /2_B /2_C

Speicher	Art. No.	Article name	
7355800 AF 400/2_A w	5452500	Anode G 1 × 26 × 1,100	
	5416300	Blind flange DN 110 coated, membrane seal	
	5415900	Flange seal DN 110, membrane seal	
	5994600	9118000 thermometer incl. clamp spring L = 2 × 30,	
	5995000	Adjustable feet accessorie set M 12 + MUT	
	5000600	Plastic cover D 100	
	7350800 AF 400/2_A s	5133200	Plastic cover 790 × 790
		5133300	Flange cover D 200
		5001200	VL ronde D 90 × 50
		5110700	VL ronde D 100 × 50 × 55
		5134900	FMP AF 400/2_A w
	5135100	FMP AF 400/2_A s	
7862300 AF 400/2_B w	5453300	Anode G 1 × 26 × 900	
	5416300	Blind flange DN 110 coated, membrane seal	
	5415900	Flange seal DN 110, membrane seal	
	5418600	RWT 1 (11 KW)	
	5418700	Flange for RWT 1	
	5410200	Ring seal for RWT 1	
	5884800	9118265 thermometer incl. clamp spring L = 2 × 30,	
	5995000	Adjustable feet accessorie set M 12 + MUT	
	5996300	Rosette set for Aqua, Aqua Solar, Aqua Heat Pump (to 500 l)	
	7862600 AF 400/2_B s	5416800	Flange cover LK 150 for AF 150 – 500
		5000500	Plastic cover D 750
		5001200	VL ronde D 90 × 50
		5110500	VL ronde D 183 × 100
		5110600	VL ronde D 100 × 50
		5453300	VL ronde D 100 × 50 × 55
		512800	FMP AF 400/2_B w
		5128100	FMP AF 400/2_B s

Storatherm Aqua Solar AF 400 – 500 liters /2_A /2_B /2_C

Speicher	Art. No.	Article name	
7849100 AF 400/2_C w	5453300	Anode G 1 × 26 × 900	
	5455500	Anode G 1 ¼ × 33 × 530 insulated (2 pieces each storage tank)	
	5416300	Blind flange DN 110 coated, membrane seal	
	5415900	Flange seal DN 110, membrane seal	
	5418600	RWT 1 (11 KW)	
	5418700	Flange for RWT 1	
	5410200	Ring seal for RWT 1	
	5884800	9118265 thermometer incl. clamp spring L = 2 × 30,	
	5995000	Adjustable feet accessorie set M 12 + MUT	
	7849900 AF 400/2_C s	5996300	Rosette set for Aqua, Aqua Solar, Aqua Heat Pump (to 500 l)
		5416800	Flange cover LK 150 for AF 150 – 500
		5417600	Plastic cover D 700
		5001200	VL ronde D 90 × 50
		5001400	VL ronde D 60 × 50
		5110400	VL ronde D 183 × 50
		5902700	FMP AF 400/2_C w
		5903000	FMP AF 400/2_C s
7355900 AF 500/2_A w		5452500	Anode G 1 × 26 × 1,100
		5455500	Anode G 1 ¼ × 33 × 530 insulated (2 pieces each storage tank)
	5416300	Blind flange DN 110 coated, membrane seal	
	5415900	Flange seal DN 110, membrane seal	
	5994600	9118000 thermometer incl. clamp spring L = 2 × 30,	
	5995000	Adjustable feet accessorie set M 12 + MUT	
	5000600	Plastic cover D 100	
	7350900 AF 500/2_A s	5133200	Plastic cover 790 × 790
		5133300	Flange cover D 200
		5001200	VL ronde D 90 × 50
		5110700	VL ronde D 100 × 50 × 55
		5135200	FMP AF 500/2_A w
		5135300	FMP AF 500/2_A s

Storatherm Aqua Solar AF 500 liters /2_A /2_B /2_C

Speicher	Art. No.	Article name	
7862400 AF 500/2_B w 7862700 AF 500/2_B s	5452500	Anode G 1 × 26 × 1,100	
	5455500	Anode G 1 ¼ × 33 × 530 insulated (2 pieces each storage tank)	
	5416300	Blind flange DN 110 coated, membrane seal	
	5415900	Flange seal DN 110, membrane seal	
	5418600	RWT 1 (11 KW)	
	5418700	Flange for RWT 1	
	5410200	Ring seal for RWT 1	
	5884800	9118265 thermometer incl. clamp spring L = 2 × 30,	
	5995000	Adjustable feet accessorie set M 12 + MUT	
	5996300	Rosette set for Aqua, Aqua Solar, Aqua Heat Pump (to 500 l)	
	5416800	Flange cover LK 150 for AF 150 – 500	
	5000500	Plastic cover D 750	
	5000600	Plastic cover D 100	
	5001200	VL ronde D 90 × 50	
	5110500	VL ronde D 183 × 100	
	5110600	VL ronde D 100 × 50	
	5110700	VL ronde D 100 × 50 × 55	
	5128200	FMP AF 500/2_B w	
	5128300	FMP AF 500/2_B s	
	7849200 AF 500/2_C w 7850000 AF 500/2_C s	5452500	Anode G 1 × 26 × 1,100
		5455500	Anode G 1 ¼ × 33 × 530 insulated (2 pieces each storage tank)
		5416300	Blind flange DN 110 coated, membrane seal
5415900		Flange seal DN 110, membrane seal	
5418600		RWT 1 (11 KW)	
5418700		Flange for RWT 1	
5410200		Ring seal for RWT 1	
5884800		9118265 thermometer incl. clamp spring L = 2 × 30,	
5995000		Adjustable feet accessorie set M 12 + MUT	
5996300		Rosette set for Aqua, Aqua Solar, Aqua Heat Pump (to 500 l)	
5416800		Flange cover DN 110	
5417600		Plastic cover D 700	
5001200		VL ronde D 90 × 50	
5001400		VL ronde D 60 × 50	
5110400		VL ronde D 183 × 50	
3805000		FMP AF 500/2_C w	
5903400		FMP AF 500/2_C s	

Storatherm Aqua Solar AF 750 – 3,000 liters /2_A /2_B /2_C

Speicher	Art. No.	Article name	
7849300 AF 750/2_C w	5415400	Anode G 1 ¼ × 33 × 1,060 insulated	
	5416400	Blind flange DN 180 (enamelled), profile seal	
	5419100	Flange seal DN 180, profile seal	
	5418900	RWT 2 (39 KW)	
	5419000	Flange for RWT 2 (flat)	
	5419100	Ring seal for RWT 2	
	5884800	9118265 thermometer incl. clamp spring L = 2 × 30,	
	7838500 AF 750/2_C s	5001500	Adjustable feet accessorie set M 16
		5995700	Rosette set for Aqua, Aqua Solar (from 750 l)
		5997100	Flange cover D 280
		5912100	Plastic cover D 960
		5120200	VL ronde D 260 × 100
		5120400	VL head insulated D 770 × 120
		5911500	VL insulated KIT AF 750/2_C w
		5915100	VL insulated KIT AF 750/2_C s
7849400 AF 1,000/2_C w		5415500	Anode G 1 ¼ × 1,250 insulated
		5416400	Blind flange DN 180 (enamelled), profile seal
	5419100	Flange seal DN 180, profile seal	
	5418900	RWT 2 (39 KW)	
	5419000	Flange for RWT 2 (flat)	
	5419100	Ring seal for RWT 2	
	5884800	9118265 thermometer incl. clamp spring L = 2 × 30,	
	7838600 AF 1,000/2_C s	5001500	Adjustable feet accessorie set M 16
		5995700	Rosette set for Aqua, Aqua Solar (from 750 l)
		5997100	Flange cover D 280
		5912200	Plastic cover D 1,065
		5120200	VL ronde D 260 × 100
		5120600	VL head insulated D 870 × 120
5911700		VL insulated KIT AF 1,000/2_C w	
5915300		VL insulated KIT AF 1,000/2_C s	
7849500 AF 1,500/2_C		5914400	VL insulated KIT AF 1,500/2_C w
7849600 AF 2,000/2_C		5914500	VL insulated KIT AF 2,000/2_C w
7849700 AF 3,000/2	5914600	VL insulated KIT AF 3,000/2_C w	
7851200 LC 120/1_C w	5415000	Anode G 1 × 26 × 400	
	5884800	9118265 thermometer incl. clamp spring L = 2 × 30,	
	5416800	Flange cover DN 110	

Storatherm Aqua Solar AB 300 – 500 liters /2S_C

Speicher	Art. No.	Article name	
7896400 AB 300/2S_C w	5452500	Anode G 1 × 26 × 1,100	
	5455500	Anode G 1 ¼ × 33 × 530 insulated (2 pieces each storage tank)	
	5416300	Blind flange DN 110 coated, membrane seal	
	5415900	Flange seal DN 110, membrane seal	
	5884800	9118265 thermometer incl. clamp spring L = 2 × 30,	
	5995000	Adjustable feet accessorie set M 12 + MUT	
	7848500 AB 300/2S_C s	5996300	Rosette set for Aqua, Aqua Solar, Aqua Heat Pump (to 500 l)
		5416900	Flange cover LK 150 for AB to D = 600
		5417700	Plastic cover D 600
		5001200	VL ronde D 90 × 50
		5001400	VL ronde D 60 × 50
5110900	VL ronde D 210 × 50		
7896500 AB 400/2S_C w	5453300	Anode G 1 × 26 × 900	
	5455500	Anode G 1 ¼ × 33 × 530 insulated (2 pieces each storage tank)	
	5416300	Blind flange DN 110 coated, membrane seal	
	5415900	Flange seal DN 110, membrane seal	
	5884800	9118265 thermometer incl. clamp spring L = 2 × 30,	
	5995000	Adjustable feet accessorie set M 12 + MUT	
	7836400 AB 400/2S_C s	5996300	Rosette set for Aqua, Aqua Solar, Aqua Heat Pump (to 500 l)
		5417000	Flange cover LK 150 for steel jacket
		5417600	Plastic cover D 700
		5001200	VL ronde D 90 × 50
		5001400	VL ronde D 60 × 50
5110900	VL ronde D 210 × 50		
7896600 AB 500/2S_C w	5452500	Anode G 1 × 26 × 1,100	
	5455500	Anode G 1 ¼ × 33 × 530 insulated (2 pieces each storage tank)	
	5416300	Blind flange DN 110 coated, membrane seal	
	5415900	Flange seal DN 110, membrane seal	
	5884800	9118265 thermometer incl. clamp spring L = 2 × 30,	
	5995000	Adjustable feet accessorie set M 12 + MUT	
	7848700 AB 500/2S_C s	5996300	Rosette set for Aqua, Aqua Solar, Aqua Heat Pump (to 500 l)
		5417000	Flange cover LK 150 for steel jacket
		5417600	Plastic cover D 700
		5001200	VL ronde D 90 × 50
		5001400	VL ronde D 60 × 50
5110900	VL ronde D 210 × 50		

Storatherm Aqua Compact

Storatherm Aqua Compact AC 120 – 250 liters /1_C

Speicher	Art. No.	Article name
7862100 AC 120/1_B w	5415100	Anode M8 – D 26 × 420 insulated
	5415800	Seal DN 85 – T-shaped
	5416200	Blind flange 120 A0
	5417800	9116053 thermometer incl. clamp spring L = 105,
	5995000	Adjustable feet accessorie set M 12 + MUT
	5131900	Immersion pipe D 18.5 × 705
	5996400	Rosette set for Aqua Compact
	5417400	Plastic cover D 560
	5120800	Foam cover D 165
	5131800	FMP AC 120/1_B w
7851200 LC 120/1_C w	5415000	Anode G 1 × 26 × 400
	5884800	9118265 thermometer incl. clamp spring L = 2 × 30,
	5416800	Flange cover DN 110
7862800 AC 150/1_B w	5452200	Anode G 1 × 26 × 480
	5883100	Ring seal DN 110
	5416600	Blind flange kpl.
7863100 AC 150/1_B s	5417800	9116053 thermometer incl. clamp spring L = 105,
	5996400	Rosette set for Aqua Compact
	5120100	VL ronde D 250 × 50
7862900 AC 250/1_B w	5460100	Anode G ¾ × 22 × 790
	5411400	Flat seal EPDM – DN 150
	5416700	Blind flange D 210 – DN 150
7863200 AC 250/1_B s	5417800	9116053 thermometer incl. clamp spring L = 105,
	5996400	Rosette set for Aqua Compact
	5120100	VL ronde D 250 × 50

Storatherm Aqua Compact AC 60 – 160 liters /1-W

Speicher	Art. No.	Article name
7760200 AC 60/1-W w	5998600	Anode G 1 × 26 × 415
	5998900	Blind flange (enamelled)
	5999000	Flange seal EPDM – DN 110
	5999100	Wall suspension
	5999200	Immersion pipe D 18.5 × 625
	5999800	Rosette set for Aqua Compact (wall mounted)
7760300 AC 110/1-W w	5998700	Anode G 1 × 26 × 505
	5998900	Blind flange (enamelled)
	5999000	Flange seal EPDM – DN 110
	5999100	Wall suspension
	5999300	Immersion pipe D 18.5 × 1,000
	5999800	Rosette set for Aqua Compact (wall mounted)
7761800 AC 160/1-W w	5998800	Anode G 1 × 26 × 800
	5998900	Blind flange (enamelled)
	5999000	Flange seal EPDM – DN 110
	5999100	Wall suspension
	5999400	Immersion pipe D 18.5 × 1,415
	5999800	Rosette set for Aqua Compact (wall mounted)

Storatherm Aqua Compact AC 60 – 160 liters /1E-W

Speicher	Art. No.	Article name
7760220 AC 60/1E-W w	5998600	Anode G 1 × 26 × 415
	5999000	Flange seal EPDM – DN 110
	5994500	Blind flange (enamelled)
	5999100	Wall suspension
	5999200	Immersion pipe D 18.5 × 625
	5999500	E-parts heater 3.00 KW
	5999600	Temperature control
	5999700	Knob 30 – 85 °C
	5999800	Rosette set for Aqua Compact (wall mounted)
7760320 AC 110/1E-W w	5998700	Anode G 1 × 26 × 505
	5999000	Flange seal EPDM – DN 110
	5994500	Blind flange (enamelled)
	5999100	Wall suspension
	5999300	Immersion pipe D 18.5 × 1,000
	5999500	E-parts heater 3.00 KW
	5999600	Temperature control
	5999700	Knob 30 – 85 °C
	5999800	Rosette set for Aqua Compact (wall mounted)
7761820 AC 160/1E-W w	5998800	Anode G 1 × 26 × 800
	5999000	Flange seal EPDM – DN 110
	5994500	Blind flange (enamelled)
	5999100	Wall suspension
	5999400	Immersion pipe D 18.5 × 1,415
	5999500	E-parts heater 3.00 KW
	5999600	Temperature control
	5999700	Knob 30 – 85 °C
5999800	Rosette set for Aqua Compact (wall mounted)	

Storatherm Aqua Compact AC 60 – 160 liters /E-W

Speicher	Art. No.	Article name
7760210 AC 60/E-W w	5998400	Anode G 1 × 26 × 200
	5999000	Flange seal EPDM – DN 110
	5994500	Blind flange (enamelled)
	5999100	Wall suspension
	5999200	Immersion pipe D 18.5 × 625
	5999500	E-parts heater 3.00 KW
	5999600	Temperature control
	5999700	Knob 30 – 85 °C
	5999800	Rosette set for Aqua Compact (wall mounted)
7760310 AC 110/E-W w	5998500	Anode G 1 × 26 × 325
	5999000	Flange seal EPDM – DN 110
	5994500	Blind flange (enamelled)
	5999100	Wall suspension
	5999300	Immersion pipe D 18.5 × 1,000
	5999500	E-parts heater 3.00 KW
	5999600	Temperature control
	5999700	Knob 30 – 85 °C
	5999800	Rosette set for Aqua Compact (wall mounted)
7761810 AC 160/E-W w	5998600	Anode G 1 × 26 × 415
	5999000	Flange seal EPDM – DN 110
	5994500	Blind flange (enamelled)
	5999100	Wall suspension
	5999400	Immersion pipe D 18.5 × 1,415
	5999500	E-parts heater 3.00 KW
	5999600	Temperature control
	5999700	Knob 30 – 85 °C
	5999800	Rosette set for Aqua Compact (wall mounted)

Storatherm Aqua Heat Pump

Storatherm Aqua Heat Pump AH 300 – 400 liters /1

Speicher	Art. No.	Article name
7864000 AH 300/1_B w	5415300	Anode G 1 ¼ × 33 × 625
	5416300	Blind flange DN 110 coated, membrane seal
	5415900	Flange seal DN 110, membrane seal
	5884800	9118265 thermometer incl. clamp spring L = 2 × 30,
	5995000	Adjustable feet accessorie set M 12 + MUT
	5996300	Rosette set for Aqua, Aqua Solar, Aqua Heat Pump (to 500 l)
	5416800	Flange cover LK 150 for AF 150 – 500
	5417600	Plastic cover D 700
	5000600	Plastic cover D 100
	5001200	VL ronde D 90 × 50
	5110400	VL ronde D 183 × 50
	5110600	VL ronde D 100 × 50
	5110700	VL ronde D 100 × 50 × 55
	5128400	FMP AH 300/1_B w
7845600 AH 400/1_C w	5415400	Anode G 1 ¼ × 33 × 1,060 insulated
	5416300	Blind flange DN 110 coated, membrane seal
	5415900	Flange seal DN 110, membrane seal
	5884800	9118265 thermometer incl. clamp spring L = 2 × 30,
	5995000	Adjustable feet accessorie set M 12 + MUT
	5996300	Rosette set for Aqua, Aqua Solar, Aqua Heat Pump (to 500 l)
	5416800	Flange cover LK 150 for AF 150 – 500
	5417600	Plastic cover D 700
	5000600	Plastic cover D 100
	5001200	VL ronde D 90 × 50
	5110400	VL ronde D 183 × 50
	5110600	VL ronde D 100 × 50
	5110700	VL ronde D 100 × 50 × 55
	5128500	FMP AH 400/1_C w

Storatherm Aqua Heat Pump AH 400 – 500 liters /1

Speicher	Art. No.	Article name	
7845600 AH 400/1_C w	5415400	Anode G 1 ¼ × 33 × 1,060 insulated	
	5416300	Blind flange DN 110 coated, membrane seal	
	5415900	Flange seal DN 110, membrane seal	
	5884800	9118265 thermometer incl. clamp spring L = 2 × 30,	
	5995000	Adjustable feet accessorie set M 12 + MUT	
	5996300	Rosette set for Aqua, Aqua Solar, Aqua Heat Pump (to 500 l)	
	7864100 AH 400/1_B w	5416800	Flange cover DN 110
		5417600	Plastic cover D 700
		5000600	Plastic cover D 100
		5001200	VL ronde D 90 × 50
		5110400	VL ronde D 183 × 50
		5110600	VL ronde D 100 × 50
		5110700	VL ronde D 100 × 50 × 55
		5128600	FMP AH 400/1_B w
7845700 AH 500/1_C w		5415400	Anode G 1 ¼ × 33 × 1,060 insulated
		5416300	Blind flange DN 110 coated, membrane seal
	5415900	Flange seal DN 110, membrane seal	
	5884800	9118265 thermometer incl. clamp spring L = 2 × 30,	
	5995000	Adjustable feet accessorie set M 12 + MUT	
	5996300	Rosette set for Aqua, Aqua Solar, Aqua Heat Pump (to 500 l)	
	7864200 AH 500/1_B w	5416800	Flange cover DN 110
		5417600	Plastic cover D 700
		5000600	Plastic cover D 100
		5001200	VL ronde D 90 × 50
		5110400	VL ronde D 183 × 50
		5110600	VL ronde D 100 × 50
		5110700	VL ronde D 100 × 50 × 55
		5128900	FMP AH 500/1_C w
5129000		FMP AH 500/1_B w	

Storatherm Aqua Heat Pump AH 400 liters /2

Speicher	Art. No.	Article name
7864300 AH 400/2_B w	5415400	Anode G 1 ¼ × 33 × 1,060 insulated
	5416300	Blind flange DN 110 coated, membrane seal
	5415900	Flange seal DN 110, membrane seal
	5884800	9118265 thermometer incl. clamp spring L = 2 × 30,
	5995000	Adjustable feet accessorie set M 12 + MUT
	5996300	Rosette set for Aqua, Aqua Solar, Aqua Heat Pump (to 500 l)
	5416800	Flange cover LK 150 for AF 150 – 500
	5000500	Plastic cover D 750
	5000600	Plastic cover D 100
	5001200	VL ronde D 90 × 50
	5110500	VL ronde D 183 × 100
	5110600	VL ronde D 100 × 50
	5110700	VL ronde D 100 × 50 × 55
	5128700	FMP AH 400/2_B w
7846000 AH 400/2_C w	5415400	Anode G 1 ¼ × 33 × 1,060 insulated
	5416300	Blind flange DN 110 coated, membrane seal
	5415900	Flange seal DN 110, membrane seal
	5884800	9118265 thermometer incl. clamp spring L = 2 × 30,
	5995000	Adjustable feet accessorie set M 12 + MUT
	5996300	Rosette set for Aqua, Aqua Solar, Aqua Heat Pump (to 500 l)
	5416800	Flange cover LK 150 for AF 150 – 500
	5417600	Plastic cover D 700
	5001200	VL ronde D 90 × 50
	5001400	VL ronde D 60 × 50
	5110400	VL ronde D 183 × 50
	5128800	FMP AH 400/2_C w

Storatherm Aqua Heat Pump AH 500 liters /2

Speicher	Art. No.	Article name
7864400 AH 500/2_B w	5415500	Anode G 1 ¼ × 1,250 insulated
	5416300	Blind flange DN 110 coated, membrane seal
	5415900	Flange seal DN 110, membrane seal
	5884800	9118265 thermometer incl. clamp spring L = 2 × 30,
	5995000	Adjustable feet accessorie set M 12 + MUT
	5996300	Rosette set for Aqua, Aqua Solar, Aqua Heat Pump (to 500 l)
	5416800	Flange cover DN 110
	5000500	Plastic cover D 750
	5000600	Plastic cover D 100
	5001200	VL ronde D 90 × 50
	5110500	VL ronde D 183 × 100
	5110600	VL ronde D 100 × 50
	5110700	VL ronde D 100 × 50 × 55
	5129100	FMP AH 500/2_B w
7846100 AH 500/2_C w	5415500	Anode G 1 ¼ × 1,250 insulated
	5416300	Blind flange DN 110 coated, membrane seal
	5415900	Flange seal DN 110, membrane seal
	5884800	9118265 thermometer incl. clamp spring L = 2 × 30,
	5995000	Adjustable feet accessorie set M 12 + MUT
	5996300	Rosette set for Aqua, Aqua Solar, Aqua Heat Pump (to 500 l)
	5416800	Flange cover DN 110
	5417600	Plastic cover D 700
	5001200	VL ronde D 90 × 50
	5001400	VL ronde D 60 × 50
	5110400	VL ronde D 183 × 50
	5129200	FMP AH 500/2_C w

Storatherm Aqua Heat Pump AH 750 – 1,000 liters /1

Speicher	Art. No.	Article name
7845800 AH 750/1_C w	5415600	Anode G 1 ¼ × 33 × 590 insulated
	5885400	Anode G 1 ¼ × 33 × 1,000
	5416400	Blind flange DN 180 (enamelled), profile seal
	5419100	Flange seal DN 180, profile seal
	5994600	9118000 thermometer incl. clamp spring L = 2 × 30,
	5001500	Adjustable feet accessorie set M 16
	5995800	Rosette set for Aqua Heat Pump (from 750 l)
	5997100	Flange cover D 280
	5912100	Plastic cover D 960
	5000600	Plastic cover D 100
	5110800	VL ronde D 100 × 100
	5120200	VL ronde D 260 × 100
	5120400	VL head insulated D 770 × 120
	5993600	VL insulated KIT AH 750/1_C w
7845900 AH 1,000/1_C w	5415600	Anode G 1 ¼ × 33 × 590 insulated
	5415500	Anode G 1 ¼ × 1,250 insulated
	5416400	Blind flange DN 180 (enamelled), profile seal
	5419100	Flange seal DN 180, profile seal
	5994600	9118000 thermometer incl. clamp spring L = 2 × 30,
	5001500	Adjustable feet accessorie set M 16
	5995800	Rosette set for Aqua Heat Pump (from 750 l)
	5997100	Flange cover D 280
	5912200	Plastic cover D 1,065
	5000600	Plastic cover D 100
	5110800	VL ronde D 100 × 100
	5120200	VL ronde D 260 × 100
	5120600	VL head insulated D 870 × 120
	5993700	VL insulated KIT AH1000/1_C w

Storatherm Aqua Heat Pump AH 750 – 1,000 liters /2

Speicher	Art. No.	Article name
7846200 AH 750/2_C w	5415600	Anode G 1 ¼ × 33 × 590 insulated
	5885400	Anode G 1 ¼ × 33 × 1,000
	5416400	Blind flange DN 180 (enamelled), profile seal
	5419100	Flange seal DN 180, profile seal
	5994600	9118000 thermometer incl. clamp spring L = 2 × 30,
	5001500	Adjustable feet accessorie set M 16
	5995800	Rosette set for Aqua Heat Pump (from 750 l)
	5997100	Flange cover D 280
	5912100	Plastic cover D 960
	5110800	VL ronde D 100 × 100
	5120200	VL ronde D 260 × 100
	5120400	VL head insulated D 770 × 120
	5993800	VL insulated KIT AH 750/2_C w
7846300 AH 1,000/2_C w	5415600	Anode G 1 ¼ × 33 × 590 insulated
	5415500	Anode G 1 ¼ × 1,250 insulated
	5416400	Blind flange DN 180 (enamelled), profile seal
	5419100	Flange seal DN 180, profile seal
	5994600	9118000 thermometer incl. clamp spring L = 2 × 30,
	5001500	Adjustable feet accessorie set M 16
	5995800	Rosette set for Aqua Heat Pump (from 750 l)
	5997100	Flange cover D 280
	5912200	Plastic cover D 1,065
	5000600	Plastic cover D 100
	5110800	VL ronde D 100 × 100
	5120200	VL ronde D 260 × 100
	5120600	VL head insulated D 870 × 120
5993900	VL insulated KIT AH1000/2_C w	

Storatherm Aqua Load

Storatherm Aqua Load AL 300 – 750 liters /R

Speicher	Art. No.	Article name	Note
7844400 AL 300/R	5415200	Anode G 1 × 26 × 550	
	5416300	Blind flange DN 110 coated, membrane seal	
	5415900	Flange seal DN 110, membrane seal	
	5884800	9118265 thermometer incl. clamp spring L = 2 × 30,	
	5995000	Adjustable feet accessorie set M 12 + MUT	
	5997000	Rosette set for Aqua Load (to 500 l)	
	5416800	Flange cover LK 150 for AF 150 – 500	
	5417700	Plastic cover D 600	
	5001200	VL ronde D 90 × 50	
	5001400	VL ronde D 60 × 50	
	5110400	VL ronde D 183 × 50	
	5110700	VL ronde D 100 × 50 × 55	
5901700	VL insulated KIT AL 300/R_C w		
7844500 AL 500/R	5453400	Anode G 1 × 26 × 800	
	5416300	Blind flange DN 110 coated, membrane seal	
	5415900	Flange seal DN 110, membrane seal	
	5884800	9118265 thermometer incl. clamp spring L = 2 × 30,	
	5995000	Adjustable feet accessorie set M 12 + MUT	
	5997000	Rosette set for Aqua Load (to 500 l)	
	5416800	Flange cover LK 150 for AF 150 – 500	
	5417600	Plastic cover D 700	
	5001200	VL ronde D 90 × 50	
	5001400	VL ronde D 60 × 50	
	5110400	VL ronde D 183 × 50	
	5110700	VL ronde D 100 × 50 × 55	
5001600	FMP AL 500/R_C w		
7844500 AL 750/R	5415600	Anode G 1 ¼ × 33 × 590 insulated	
	5416400	Blind flange DN 180 (enamelled), profile seal	
	5419100	Flange seal DN 180, profile seal	
	5884800	9118265 thermometer incl. clamp spring L = 2 × 30,	
	5001500	Adjustable feet accessorie set M 16	
	5995900	Rosette set for Aqua Load (from 750 l)	
	5997100	Flange cover D 280	
	5912100	Plastic cover D 960	
	5120200	VL ronde D 260 × 100	
	5120400	VL head insulated D 770 × 120	
	5911900	VL insulated KIT AL 750/R_C w	produced before 28/02/2017
5921400	VL insulated KIT AL 750/R_C w	produced from 01/03/2017	

Storatherm Aqua Load AL 1,000 – 3,000 liters /R /R2 /R3 /R4

Speicher	Art. No.	Article name	Note
7844700 AL 1,000/R	5415700	Anode G 1 ¼" × 690 insulated	
	5416400	Blind flange DN 180 (enamelled), profile seal	
	5419100	Flange seal DN 180, profile seal	
	5884800	9118265 thermometer incl. clamp spring L = 2 × 30,	
	5001500	Adjustable feet accessorie set M 16	
	5995900	Rosette set for Aqua Load (from 750 l)	
	5997100	Flange cover D 280	
	5912200	Plastic cover D 1,065	
	5120200	VL ronde D 260 × 100	
	5120600	VL head insulated D 870 × 120	
	5912000	VL insulated KIT AL 1,000/R_C w	produced before 28/02/2017
	5921600	VL insulated KIT AL 1,000/R_C w	produced from 01/03/2017
7844700 AL 1,000/R	5415700	Anode G 1 ¼" × 690 insulated	
	5416400	Blind flange DN 180 (enamelled), profile seal	
	5419100	Flange seal DN 180, profile seal	
	5884800	9118265 thermometer incl. clamp spring L = 2 × 30,	
	5001500	Adjustable feet accessorie set M 16	
	5995900	Rosette set for Aqua Load (from 750 l)	
	5997100	Flange cover D 280	
	5912200	Plastic cover D 1,065	
	5120200	VL ronde D 260 × 100	
	5120600	VL head insulated D 870 × 120	
	5912000	VL insulated KIT AL 1,000/R_C w	produced before 28/02/2017
	5921600	VL insulated KIT AL 1,000/R_C w	produced from 01/03/2017
7844800 AL 1,500/R2	5913400	VL insulated KIT AL 1,500/R2_C w	
	5455500	ANODE 1 ¼ × 530	2 pieces
7844900 AL 2,000/R2	5913500	VL insulated KIT AL 2,000/R2_C w	
	5455500	ANODE 1 ¼ × 530	2 pieces
7845000 AL 3,000/R2	5913600	VL insulated KIT AL 3,000/R2_C w	
	5455500	ANODE 1 ¼ × 530	2 pieces
7845100 AL 1,500/R3	5913400	VL insulated KIT AL 1,500/R2_C w	
	5455500	ANODE 1 ¼ × 530	2 pieces
7845200 AL 2,000/R3	5913500	VL insulated KIT AL 2,000/R2_C w	
	5455500	ANODE 1 ¼ × 530	2 pieces
7845300 AL 3,000/R3	5913600	VL insulated KIT AL 3,000/R2_C w	
	5455500	ANODE 1 ¼ × 530	2 pieces
7845400 AL 3,000/R4	5913600	VL insulated KIT AL 3,000/R2_C w	
	5455500	ANODE 1 ¼ × 530	3 pieces

Storatherm Aqua Inox

Storatherm Aqua Inox 150 – 500 liters /1M

Speicher	Art. No.	Article name
	5884800	9118265 thermometer incl. clamp spring L = 2 × 30
	5995000	Adjustable feet accessorie set M 12 + MUT
7364100 AI 150/1M_A	5416800	Flange cover LK 150 for AF 150 – 500
	5417700	Plastic cover D 600
7364200 AI 200/1M_B	5000600	Plastic cover D 100
	5001400	VL ronde D 60 × 50
7364300 AI 300/1M_B s	5110500	VL ronde D 183 × 100
	5110600	VL ronde D 100 × 50
7364400 AI 400/1M_B s	5110700	VL ronde D 100 × 50 × 55
		FMP AI 150/1M_A s
7364500 AI 500/1M_B s		FMP AI 200/1M_B s
		FMP AI 300/1M_B s
		FMP AI 400/1M_B s
		FMP AI 500/1M_B s

Storatherm Heat Combi

Storatherm Heat Combi HC 500 – 1,500 liters /1_C /2_C

Speicher	Art. No.	Article name
7859200 HC 500/1_C s	5996000	Rosette set for Heat Combi (from 500 l)
	5000700	Plastic cover D 840
	5001300	VL ronde D 95 × 100 × 55
7859600 HC 500/2_C s	5120900	Cap insulated (black)
	5919500	VL insulated KIT HC 500/1_C s
	5919900	VL insulated KIT HC 500/2_C s
7859300 HC 800/1_C s	5996000	Rosette set for Heat Combi (from 500 l)
	5000800	Plastic cover D 1,040
	5001300	VL ronde D 95 × 100 × 55
7859700 HC 800/2_C s	5120900	Cap insulated (black)
	5919600	VL insulated KIT HC 800/1_C s
	5994000	VL insulated KIT HC 800/2_C s
7859400 HC 1,000/1_C s	5996000	Rosette set for Heat Combi (from 500 l)
	5000800	Plastic cover D 1,040
	5001300	VL ronde D 95 × 100 × 55
7859800 HC 1,000/2_C s	5120900	Cap insulated (black)
	5919700	VL insulated KIT HC 1,000/1_C s
	5993400	VL insulated KIT HC 1,000/2_C s
7859500 HC 1,500/1_C s	5996000	Rosette set for Heat Combi (from 500 l)
	5001100	PVC cover D 1,240
	5001300	VL ronde D 95 × 100 × 55
7859900 HC 1,500/2_C s	5120900	Cap insulated (black)
	5919800	VL insulated KIT HC 1,500/1_C s
	5993500	VL insulated KIT HC 1,500/2_C s
7859400 HC 1,000/1_C s	5996000	Rosette set for Heat Combi (from 500 l)
	5000800	Plastic cover D 1,040
	5001300	VL ronde D 95 × 100 × 55
7859800 HC 1,000/2_C s	5120900	Cap insulated (black)
	5919700	VL insulated KIT HC 1,000/1_C s
	5993400	VL insulated KIT HC 1,000/2_C s
7859500 HC 1,500/1_C s	5996000	Rosette set for Heat Combi (from 500 l)
	5001100	PVC cover D 1,240
	5001300	VL ronde D 95 × 100 × 55
7859900 HC 1,500/2_C s	5120900	Cap insulated (black)
	5919800	VL insulated KIT HC 1,500/1_C s
	5993500	VL insulated KIT HC 1,500/2_C s

Storatherm Heat

Storatherm Heat H(F) 300 – 2,000 liters /C

Speicher	Art. No.	Article name
7839100 H(F) 300_C s	5996100	Rosette set for Heat (from 300 l)
	5818400	Plastic cover D 790
	5120300	VL head insulated D 610 × 120
	5907100	VL insulated KIT PH 300_C_s
7839200 H(F) 500_C s	5996100	Rosette set for Heat (from 300 l)
	5818400	Plastic cover D 790
	5120300	VL head insulated D 610 × 120
	5907200	VL insulated KIT PH 500_C_s
7839300 H(F) 800_C s	5996100	Rosette set for Heat (from 300 l)
	5998300	Plastic cover D 990
	5120500	VL head insulated D 810 × 120
	5907300	VL insulated KIT PH 800_C_s
7839400 H(F) 1000_C s	5996100	Rosette set for Heat (from 300 l)
	5998300	Plastic cover D 990
	5120500	VL head insulated D 810 × 120
	5907400	VL insulated KIT PH 1000_C_s
7839500 H(F) 1500_C s	5996100	Rosette set for Heat (from 300 l)
	5000900	PVC cover D 1,235
	5120700	VL head insulated D 1,020 × 120
	5907500	VL insulated KIT PH 1500_C_s
7839600 H(F) 2000_C s	5996100	Rosette set for Heat (from 300 l)
	5131400	PVC cover D 1,440 with hole
	5131500	VL head insulated D 1,220 × 121
	5907600	VL insulated KIT PH 2000_C_s

Storatherm Heat H(F) 300 – 1,000 liters /R_C

Speicher	Art. No.	Article name	
7842600 H(F) 300/R_C w	5416300	Blind flange DN 110 coated, membrane seal	
	5416400	Blind flange DN 180 (enamelled), profile seal	
	5883100	Ring seal DN 110	
	5996100	Rosette set for Heat (from 300 l)	
	5989600	Flange cover D 183	
	7842000 H(F) 300/R_C s	5818400	Plastic cover D 790
		5110500	VL ronde D 183 × 100
		5120300	VL head insulated D 610 × 120
		5912600	VL insulated KIT HF 300/R_C w
5907700	VL insulated KIT HF 300/R_C s		
7842700 H(F) 500/R_C w	5416300	Blind flange DN 110 coated, membrane seal	
	5416400	Blind flange DN 180 (enamelled), profile seal	
	5883100	Ring seal DN 110	
	5996100	Rosette set for Heat (from 300 l)	
	5989600	Flange cover D 183	
	7842100 H(F) 500/R_C s	5818400	Plastic cover D 790
		5110500	VL ronde D 183 × 100
		5120300	VL head insulated D 610 × 120
		5912700	VL insulated KIT HF 500/R_C w
5907800	VL insulated KIT HF 500/R_C s		
7842800 H(F) 800/R_C w	5416300	Blind flange DN 110 coated, membrane seal	
	5416400	Blind flange DN 180 (enamelled), profile seal	
	5883100	Ring seal DN 110	
	5996100	Rosette set for Heat (from 300 l)	
	5989600	Flange cover D 183	
	7842200 H(F) 800/R_C s	5998300	Plastic cover D 990
		5110500	VL ronde D 183 × 100
		5120500	VL head insulated D 810 × 120
		5912800	VL insulated KIT HF 800/R_C w
5907900	VL insulated KIT HF 800/R_C s		
7842900 H(F)1,000/R_C w	5416300	Blind flange DN 110 coated, membrane seal	
	5416400	Blind flange DN 180 (enamelled), profile seal	
	5883100	Ring seal DN 110	
	5996100	Rosette set for Heat (from 300 l)	
	5989600	Flange cover D 183	
	7842300 H(F)1,000/R_C s	5998300	Plastic cover D 990
		5110500	VL ronde D 183 × 100
		5120500	VL head insulated D 810 × 120
		5912900	VL insulated KIT HF 1,000/R_C w
5908000	VL insulated KIT HF 1,000/R_C s		

Storatherm Heat H(F) 1,500 – 2,000 liters /R_C | 300 – 5,000 liters /R

Speicher	Art. No.	Article name	
7843000 H(F)1,500/R_C w	5416400	Blind flange DN 180 (enamelled), profile seal	
	5883100	Ring seal DN 110	
	5996100	Rosette set for Heat (from 300 l)	
	5989600	Flange cover D 183	
	5000900	PVC cover D 1,235	
	7842400 H(F)1,500/R_C s	5001100	PVC cover D 1,240
		5110500	VL ronde D 183 × 100
		5120700	VL head insulated D 1,020 × 120
		5912900	VL insulated KIT HF 1,500/R_C w
5908000		VL insulated KIT HF 1,500/R_C s	
7843100 H(F)2,000/R_C w	5989600	Flange cover D 183	
	5131400	PVC cover D 1,440 with hole	
	5110500	VL ronde D 183 × 100	
7842500 H(F)2,000/R_C s	5131500	VL head insulated D 1,220 × 121	
	5989600	VL insulated KIT HF 2,000/R_C s	
	5918800	VL insulated KIT HF 2,000/R_C w	
7783600 H 300/R	5416300	Blind flange DN 110 coated, membrane seal	
7783800 H 500/R			
7784005 H 800/R			
7784205 H 1,000/R			
7784400 H 1,500/R			
7788200 H 3,000/R	5870700	VL insulated KIT H 3,000/R w	
7788500 H 4,000/R	5870800	VL insulated KIT H 4,000/R w	
7788800 H 5,000/R		VL insulated KIT H 5,000/R w	

Storatherm Heat H(F) 300 – 2,000 liters /1 /2

Speicher	Art. No.	Article name
7843800 H(F) 300/1_C w	5996100	Rosette set for Heat (from 300 l)
	5818400	Plastic cover D 790
	5120300	VL head insulated D 610 × 120
7843200 H(F) 300/1_C s	5918900	VL insulated KIT HF 300/1_C w
	5908300	VL insulated KIT HF 300/1_C s
7843900 H(F) 500/1_C w	5996100	Rosette set for Heat (from 300 l)
	5818400	Plastic cover D 790
	5120300	VL head insulated D 610 × 120
7843300 H(F) 500/1_C s	5919000	VL insulated KIT HF 500/1_C w
	5908400	VL insulated KIT HF 500/1_C s
7844000 H(F) 800/1_C w	5996100	Rosette set for Heat (from 300 l)
	5998300	Plastic cover D 990
	5120500	VL head insulated D 810 × 120
7843400 H(F) 800/1_C s	5919100	VL insulated KIT HF 800/1_C w
	5908500	VL insulated KIT HF 800/1_C s
7844100 H(F) 1,000/1_C w	5996100	Rosette set for Heat (from 300 l)
	5998300	Plastic cover D 990
	5120500	VL head insulated D 810 × 120
7843500 H(F) 1,000/1_C s	5919200	VL insulated KIT HF 1,000/1_C w
	5908600	VL insulated KIT HF 1,000/1_C s
7844200 H(F) 1,500/1_C w	5996100	Rosette set for Heat (from 300 l)
	5998300	PVC cover D 1,235
	5120500	VL head insulated D 1,020 × 120
7843600 H(F) 1,500/1_C s	5919200	VL insulated KIT HF 1,500/1_C w
	5908700	VL insulated KIT HF 1,500/1_C s
7844300 H(F) 2,000/1_C w	5919400	VL insulated KIT HF 2,000/1_C w
7843700 H(F) 2,000/1_C s	5908800	VL insulated KIT HF 2,000/1_C s
7837100 H(F) 500/2_C s	5996100	Rosette set for Heat (from 300 l)
	5818400	Plastic cover D 790
	5120300	VL head insulated D 610 × 120
	5918000	VL insulated KIT HF 500/2C s
	5996100	Rosette set for Heat (from 300 l)
7837200 H(F) 800/2_C s	5998300	Plastic cover D 990
	5120500	VL head insulated D 810 × 120
	5918100	VL insulated KIT HF 800/2C s
7837300 H(F) 1,000/2_C s	5996100	Rosette set for Heat (from 300 l)
	5998300	Plastic cover D 990
	5120500	VL head insulated D 810 × 120
	5918200	VL insulated KIT HF 1,000/2C s
	5996100	Rosette set for Heat (from 300 l)
7837400 H(F) 1,500/2_C s	5000900	PVC cover D 1,235
	5120700	VL head insulated D 1,020 × 120
	5918300	VL insulated KIT HF 1,500/2C s

Electric heating elements & finned tube heat exchangers

EFHR, EEHR & RWT

Art. No.	Article name	Note
Spare parts for electric immersion heater EFHR		
7761020	Flange seal LK 150 (flat seal)	
5419100	Flange seal LK 225 (flat seal)	
9200462	Control thermostat (controller 30–85 °C, limiter 110 °C)	
Spare parts for screw-in electric immersion heaters EEHR		
9119368	Seal 1 ½"	
5418300	Flange cover LK 150, enamelled – with sleeve Rp 1 ½"	Not suitable for Storatherm Aqua Inox
5410200	Flange seal LK 150 (profile seal) for flange cover with sleeve	
5418400	Flange cover LK 225, enamelled – with sleeve Rp 1 ½"	Not suitable for Storatherm Aqua Inox
5416000	Flange seal LK 225 (profile seal) for flange cover with sleeve	
9200462	Control thermostat (green housing/controller 30–85°C, limiter 110 °C)	
Spare parts for finned tube heat exchangers RWT		
5418700	Flange cover LK 150, enamelled – with 2 holes for RWT 1	Not suitable for Storatherm Aqua Inox
7761020	Flange seal LK 150 (flat seal)	
9203159	Flange cover LK 225, enamelled – with 2 holes for RWT 2	Not suitable for Storatherm Aqua Inox
5419100	Flange seal LK 225 (flat seal)	
Miscellaneous		
5410200	Flange seal LK 150 (profile seal) for flange cover with sleeve	
7751100	Control thermostat for tank charging pump	

Heat exchangers

Longtherm brazed with thread connections – manufactured until & incl. 2018



rhc 15

Type	Number of plates	Art. No.	Article name
rhc 15	15	6712100	Longtherm type rhc 15/10
	20	6712200	Longtherm type rhc 15/20
	30	6712300	Longtherm type rhc 15/30



rhc 40

Type	Number of plates	Art. No.	Article name
rhc 40	10	6713100	Longtherm type rhc 40/10
	20	6713200	Longtherm type rhc 40/20
	30	6713300	Longtherm type rhc 40/30
	40	6713400	Longtherm type rhc 40/40
	50	6713500	Longtherm type rhc 40/50
	60	6713600	Longtherm type rhc 40/60



rhc 60

Type	Number of plates	Art. No.	Article name
rhc 60	6	6714100	Longtherm type rhc 60/6
	8	6714200	Longtherm type rhc 60/8
	10	6714300	Longtherm type rhc 60/10
	14	6714400	Longtherm type rhc 60/14
	20	6714500	Longtherm type rhc 60/20
	24	6714600	Longtherm type rhc 60/24
	30	6714700	Longtherm type rhc 60/30
	40	6714800	Longtherm type rhc 60/40
	50	6714900	Longtherm type rhc 60/50
	60	6715000	Longtherm type rhc 60/60
	80	6715100	Longtherm type rhc 60/80
	100	6715200	Longtherm type rhc 60/100

Longtherm brazed with thread connections – manufactured until & incl. 2018



rhc 85

Type	Number of plates	Art. No.	Article name
r...c 85	30	6719100	Longtherm type rhc 85/30 G 2
	40	6719200	Longtherm type rhc 85/40 G 2
	50	6719300	Longtherm type rhc 85/50 G 2
	60	6719400	Longtherm type rhc 85/60 G 2
	80	6719500	Longtherm type rhc 85/80 G 2
	100	6719600	Longtherm type rhc 85/100 G 2
	120	6719700	Longtherm type rhc 85/120 G 2
	30	6718100	Longtherm type rlc 85/30 G 2
	40	6718200	Longtherm type rlc 85/40 G 2
	50	6718300	Longtherm type rlc 85/50 G 2
	60	6718400	Longtherm type rlc 85/60 G 2
	80	6718500	Longtherm type rlc 85/80 G 2
100	6718600	Longtherm type rlc 85/100 G 2	
120	6718700	Longtherm type rlc 85/120 G 2	



rhc 150

Type	Number of plates	Art. No.	Article name
rhc 150	50	6721100	Longtherm type rhc 150/50 G 2 ½
	60	6721200	Longtherm type rhc 150/60 G 2 ½
	80	6721300	Longtherm type rhc 150/80 G 2 ½
	100	6721400	Longtherm type rhc 150/100 G 2 ½
	120	6721500	Longtherm type rhc 150/120 G 2 ½
	150	6721600	Longtherm type rhc 150/150 G 2 ½
	180	6721800	Longtherm type rhc 150/180 G 2 ½
	200	6721700	Longtherm type rhc 150/200 G 2 ½



rhc 200

Type	Number of plates	Art. No.	Article name
rhc 200	50	6723100	Longtherm type rhc 200/50 G 2 ½
	60	6723200	Longtherm type rhc 200/60 G 2 ½
	80	6723300	Longtherm type rhc 200/80 G 2 ½
	100	6723400	Longtherm type rhc 200/100 G 2 ½
	120	6723500	Longtherm type rhc 200/120 G 2 ½
	150	6723600	Longtherm type rhc 200/150 G 2 ½
	180	6723800	Longtherm type rhc 200/180 G 2 ½
	200	6723700	Longtherm type rhc 200/200 G 2 ½

Longtherm brazed with flange connections – manufactured until & incl. 2018



rhc 85

Type	Number of plates	Art. No.	Article name
r...c 85	30	6717100	Longtherm type rhc 85/30
	40	6717200	Longtherm type rhc 85/40
	50	6717300	Longtherm type rhc 85/50
	60	6717400	Longtherm type rhc 85/60
	80	6717500	Longtherm type rhc 85/80
	100	6717600	Longtherm type rhc 85/100
	120	6717700	Longtherm type rhc 85/120
	30	6716100	Longtherm type rlc 85/30
	40	6716200	Longtherm type rlc 85/40
	50	6716300	Longtherm type rlc 85/50
	60	6716400	Longtherm type rlc 85/60
	80	6716500	Longtherm type rlc 85/80
100	6716600	Longtherm type rlc 85/100	
120	6716700	Longtherm type rlc 85/120	



rhc 150

Type	Number of plates	Art. No.	Article name
rhc 150	50	6720100	Longtherm type rhc 150/50 flange
	60	6720200	Longtherm type rhc 150/60 flange
	80	6720300	Longtherm type rhc 150/80 flange
	100	6720400	Longtherm type rhc 150/100 flange
	120	6720500	Longtherm type rhc 150/120 flange
	150	6720600	Longtherm type rhc 150/150 flange
	180	6720800	Longtherm type rhc 150/180 flange
	200	6720700	Longtherm type rhc 150/200 flange

Longtherm brazed with flange connections – manufactured until & incl. 2018



rhc 200

Type	Number of plates	Art. No.	Article name
rhc 200	50	6722100	Longtherm type rhc 200/50 flange
	60	6722200	Longtherm type rhc 200/60 flange
	80	6722300	Longtherm type rhc 200/80 flange
	100	6722400	Longtherm type rhc 200/100 flange
	120	6722500	Longtherm type rhc 200/120 flange
	150	6722600	Longtherm type rhc 200/150 flange
	180	6722800	Longtherm type rhc 200/180 flange
	200	6722700	Longtherm type rhc 200/200 flange



rhc 300

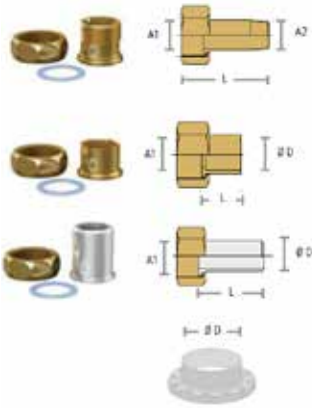
Type	Number of plates	Art. No.	Article name
rhc 300	50	6724100	Longtherm type rhc 300/50 flange
	60	6724200	Longtherm type rhc 300/60 flange
	80	6724300	Longtherm type rhc 300/80 flange
	100	6724400	Longtherm type rhc 300/100 flange
	120	6724500	Longtherm type rhc 300/120 flange
	150	6724600	Longtherm type rhc 300/150 flange
	180	6724900	Longtherm type rhc 300/180 flange
	200	6724700	Longtherm type rhc 300/200 flange

Longtherm thermal insulation – manufactured until & incl. 2018

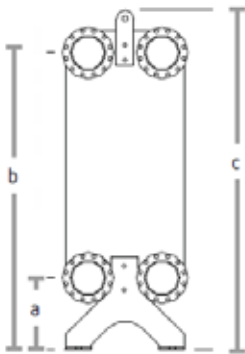


Type	Art. No.	Article name
rhc 15	6750000	Thermal insulation rhc for Longtherm 15/10-20
	6750100	Thermal insulation rhc for Longtherm 15/30
rhc 40	6750200	Thermal insulation rhc for Longtherm 40/10-20
	6750300	Thermal insulation rhc for Longtherm 40/30-40
	6750400	Thermal insulation rhc for Longtherm 40/50-60
rhc 60	6750500	Thermal insulation rhc for Longtherm 60/6-24
	6750600	Thermal insulation rhc for Longtherm 60/30-40
	6750700	Thermal insulation rhc for Longtherm 60/50-60
	6750800	Thermal insulation rhc for Longtherm 60/80-100
rhc 85	6750900	Thermal insulation r...c for Longtherm 85/30-40
	6751000	Thermal insulation r...c for Longtherm 85/50-60
	6751100	Thermal insulation r...c for Longtherm 85/80-100
	6751200	Thermal insulation r...c for Longtherm 85/120
rhc 150	6751300	Thermal insulation rhc for Longtherm 150/50-60
	6751400	Thermal insulation rhc for Longtherm 150/80-100
	6751500	Thermal insulation rhc for Longtherm 150/120-150
	6751600	Thermal insulation rhc for Longtherm 150/180-200
rhc 200	6751700	Thermal insulation rhc for Longtherm 200/50-80
	6751800	Thermal insulation rhc for Longtherm 200/100-120
	6751900	Thermal insulation rhc for Longtherm 200/150
	6752000	Thermal insulation rhc for Longtherm 200/180-200
rhc 300	6752100	Thermal insulation rhc for Longtherm 300/50-80
	6752200	Thermal insulation rhc for Longtherm 300/100-150
	6752300	Thermal insulation rhc for Longtherm 300/180-200

Longtherm connection variants & bracket – manufactured until & incl. 2018



Art. No.	Type	Article name	A1	DN	Ø D [mm]	A2	Length L [mm]
6762100	rhc 15	with external thread – brass	¾"	-	-	½"	36
6762200	rhc 40	with external thread – brass	1"	-	-	¾"	41
6762300	rhc 60	with external thread – brass	1¼"	-	-	1"	51
6762400	rhc 85	with external thread – brass	2"	-	-	1½"	60
6762500	rhc 150, rhc 200	with external thread – brass	2½"	-	-	2"	66
6760100	rhc 15	with weld-on end – steel	¾"	-	21.2	-	30
6760200	rhc 40	with weld-on end – steel	1"	-	26.9	-	30
6760300	rhc 60	with weld-on end – steel	1¼"	-	33.7	-	40
6760400	rhc 85	with weld-on end – steel	2"	-	48.3	-	40
6760500	rhc 150, rhc 200	with weld-on end – steel	2½"	-	60.3	-	50
6761100	rhc 15	with solder-on end – brass	¾"	-	18.0	-	16
6761200	rhc 40	with solder-on end – brass	1"	-	22.0	-	19
6761300	rhc 60	with solder-on end – brass	1¼"	-	28.0	-	22
6770200	rhc 150, rhc 200	Counterflange – stainless steel	-	65	76.1	-	-
6770400	rhc 300	Counterflange – stainless steel	-	100	114.3	-	-
6770100	rhc 150, rhc 200	Counterflange – steel	-	65	76.1	-	-
6770300	rhc 300	Counterflange – steel	-	100	114.3	-	-



Art. No.	Article name	a [mm]	b [mm]	c [mm]	Length L [mm]
6771100	Bracket r.c 85/180	138	598	-	36
6771300	Bracket rhc 200	158	848	989	41

Fresh water stations



Reflex Hydroflow

Reflex Hydroflow XS–XL

	Art. No.	Article name
9583531 Reflex Hydro- flow XS – CU	9583564	Reflex Hydroflow XS–S pump
	9583565	Reflex Heat Exchanger Hydroflow XS–CU
	9583567	Reflex flow switch 12V XS
	9583568	Reflex E-Box flow switch XS
	9583569	Reflex thermostatic head XS
	9583570	Reflex angle control valve XS
	9583571	Reflex screw connection with SKB XS
	9583578	Reflex volume flow sensor XS
9583532 Reflex Hydro- flow XS – SST	9583564	Reflex Hydroflow XS–S pump
	9583566	Reflex Heat Exchanger Hydroflow XS–SST
	9583567	Reflex flow switch 12V XS
	9583568	Reflex E-Box flow switch XS
	9583569	Reflex thermostatic head XS
	9583570	Reflex angle control valve XS
	9583571	Reflex screw connection with SKB XS
	9583578	Reflex volume flow sensor XS
9583533 Reflex Hydro- flow S – CU	9583564	Reflex Hydroflow XS–S pump
	9583572	Reflex flat gasket 24 × 17 × 2
	9583573	Reflex flat gasket 30 × 21 × 2
	9583574	Reflex Heat Exchanger Hydroflow S–CU
	9583576	Reflex controller Hydroflow S
	9583577	Reflex pipe clip sensor S
	9583578	Reflex volumetric flow sensor S
	9583579	Reflex angle backflow preventer S
9583534 Reflex Hydro- flow S – SST	9583564	Reflex Hydroflow XS–S pump
	9583572	Reflex flat gasket 24 × 17 × 2
	9583573	Reflex flat gasket 30 × 21 × 2
	9583575	Reflex Heat Exchanger Hydroflow S–SST
	9583576	Reflex controller Hydroflow S
	9583577	Reflex pipe clip sensor S
	9583578	Reflex volumetric flow sensor S
	9583579	Reflex angle backflow preventer S

Reflex Hydroflow XS–XL

	Artikel-Nr.	Artikelbezeichnung
9583535 Reflex Hydro- flow M – CU	9583600	Reflex regulator Hydroflow M
	9583577	Reflex pipe clip sensor S, M
	9583578	Reflex volume flow sensor XS, S, M, L
	9583579	Reflex angle backflow preventer S, M
	9583580	Reflex Hydroflow M, L, XL pump
	9583581	Reflex Heat Exchanger Hydroflow M–CU
9583536 Reflex Hydro- flow M – SST	9583600	Reflex regulator Hydroflow M
	9583577	Reflex pipe clip sensor S, M
	9583578	Reflex volume flow sensor XS, S, M, L
	9583579	Reflex angle backflow preventer S, M
	9583580	Reflex Hydroflow M, L, XL pump
	9583581	Reflex Heat Exchanger Hydroflow M–CU
9583538 Reflex Hydro- flow L – CU	9583601	Reflex controller Hydroflow L
	9583578	Reflex volume flow sensor XS, S, M, L
	9583580	Reflex Hydroflow M, L, XL pump
	9583583	Reflex Heat Exchanger Hydroflow L–CU
	9583585	Reflex drinking water sensor G ½" L, XL
	9583586	Reflex free-flow valve KW DN 32, G1¼"
	9583587	Reflex free-flow valve WW DN 32, G1¼"
	9583588	Reflex SV 10 bar Hydroflow L, XL
	9583589	Reflex KFE stopcock black, DN 10, G ¾ AG
	9583590	Reflex KFE tap blue, DN 15, G ¾ AG
	9583591	Reflex ball valve HVL/HRL L, XL
	9583592	Reflex crosspiece with RFV L, XL
9583539 Reflex Hydro- flow L – SST	9583601	Reflex controller Hydroflow L
	9583578	Reflex volume flow sensor XS, S, M, L
	9583580	Reflex Hydroflow M, L, XL pump
	9583584	Reflex Heat Exchanger Hydroflow L–SST
	9583585	Reflex drinking water sensor G ½" L, XL
	9583586	Reflex free-flow valve KW DN 32, G1¼"
	9583587	Reflex free-flow valve WW DN 32, G1¼"
	9583588	Reflex SV 10 bar Hydroflow L, XL
	9583589	Reflex KFE stopcock black, DN 10, G ¾ AG
	9583590	Reflex KFE tap blue, DN 15, G ¾ AG
	9583591	Reflex ball valve HVL/HRL L, XL
	9583592	Reflex crosspiece with RFV L, XL
9583593	Reflex flat gasket 38 × 27 × 2	

Reflex Hydroflow XS–XL

	Artikel-Nr.	Artikelbezeichnung
9583594 Reflex Hydro- flow XL – CU	9583601	Reflex controller Hydroflow XL
	9583578	Reflex Hydroflow M, L, XL pump
	9583580	Reflex drinking water sensor G ½" L, XL
	9583583	Reflex free-flow valve KW DN 32, G1¼"
	9583585	Reflex free-flow valve WW DN 32, G1¼"
	9583586	Reflex SV 10 bar Hydroflow L, XL
	9583587	Reflex KFE stopcock black, DN 10, G¾ AG
	9583588	Reflex KFE tap blue, DN 15, G¾ AG
	9583589	Reflex ball valve HVL/HRL L, XL
	9583590	Reflex crosspiece with RFV L, XL
	9583591	Reflex flat gasket 38 × 27 × 2
	9583592	Reflex Heat Exchanger Hydroflow XL–CU
	9583593	Reflex volumetric flow sensor XL
9583542 Reflex Hydro- flow XL – SST	9583611	Reflex controller Hydroflow XL
	9583580	Reflex Hydroflow M, L, XL pump
	9583585	Reflex drinking water sensor G ½" L, XL
	9583586	Reflex free-flow valve KW DN 32, G1¼"
	9583587	Reflex free-flow valve WW DN 32, G1¼"
	9583588	Reflex SV 10 bar Hydroflow L, XL
	9583589	Reflex KFE stopcock black, DN 10, G¾ AG
	9583590	Reflex KFE tap blue, DN 15, G¾ AG
	9583591	Reflex ball valve HVL/HRL L, XL
	9583592	Reflex crosspiece with RFV L, XL
	9583593	Reflex flat gasket 38 × 27 × 2
	9583595	Reflex Heat Exchanger Hydroflow XL–SST
	9583597	Reflex volumetric flow sensor XL

Additional information

Glossary

Acronyms	Meaning
AG/AG	External thread / external thread
AG	External thread
AGO	External thread with O-ring
AT	Ampere (inert)
DN	Nominal diameter
I/I	Internal thread / internal thread
IG/IG	Internal thread / internal thread
I/O circuit board	Input/Output-circuit board = Relay circuit board
KFE	Boiler feed and drain valve
MKH	Motor ball valve
MV	Solenoid valve
NS	Water make-up
NW	Nominal diameter
PN	Pressure rating
R	Pipe thread (conical)
Rp	Pipe thread (parallel)
RV	Backflow preventer
SA	Softstart
SV	Safety valve
ÜW	Union connection
1 / 2 P	1 / 2 Pump(s)
1 / 2 K	1 / 2 Compressor(s)

PR1977enC / 9129643 / 07-2024 / V1.8.4
Subject to technical changes



Thinking solutions.

Reflex Winkelmann GmbH

Gersteinstraße 19

DE-59227 Ahlen

Telephone: +49 2382 7069-0

Technical Hotline: +49 2382 7069-9546

www.reflex-winkelmann.com/en