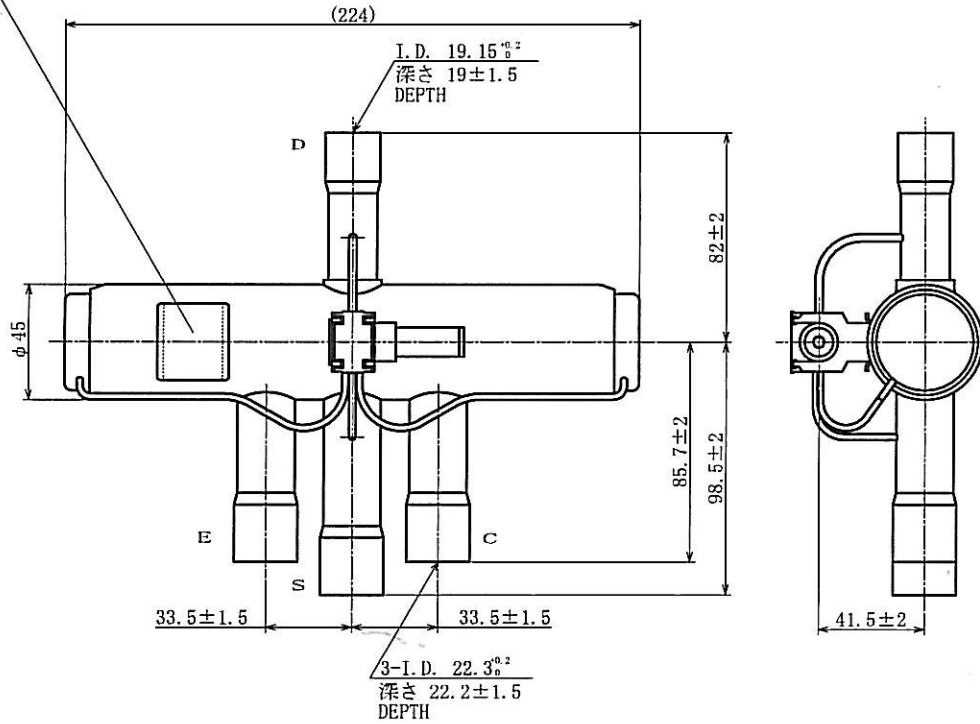


FOR USE IN EUROPE



EXAMPLE  
 5 31 6  
 YEAR  
 DAY  
 MONTH 1~9: JAN. ~SEP.  
 X: OCTOBER  
 Y: NOVEMBER  
 Z: DECEMBER



CONNECTIONS INDICATED BELOW SHOW AT COOLING MODE (WHEN COIL IS DE-ENERGIZED)

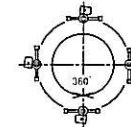
- D CONNECTION : DISCHARGE
- C CONNECTION : CONDENSER
- S CONNECTION : SUCTION
- E CONNECTION : EVAPORATOR

WE MANUFACTURE THE PRODUCT BASED ON THE SPECIFICATIONS DESCRIBED IN THIS DRAWING. PLEASE CHECK THE SAFETY AND VALIDITY IN THE PRODUCT DESIGN IN CONSIDERATION THAT THE PRODUCT IS CONFORMED TO THE SYSTEM OR NOT WHEN USING.

SPECIFICATIONS

WATER TEST PRESSURE	WITH WATER PRESSURE 6.44 MPa ( 64.4 bar)
AIR TIGHT TEST PRESSURE	WITH AIR PRESSURE 4.5 MPa ( 45.0 bar)
MAX. WORKING PRESSURE	4.5 MPa ( 45.0 bar)
CONNECTION	ILLUSTRATE
FLUID	R22, R407C, R410A
PORT SIZE	20 mm
VALVE OPERATION	PILOT OPERATED 4-WAY REVERSING VALVE
DURABILITY	40,000 (R22, R407C) OR 20,000 (R410A) TIMES TESTED BY AIR PRESSURE UNDER DISCHARGE PRESSURE 1.47 MPa (14.7bar) (R22, R407C) OR 2.5 MPa (25bar) (R410A), SUCTION TUBE OPEN TO ATMOSPHERE AND BODY TEMP. NORMAL TEMPERATURE (LUB. OIL APPLIED DURING THE TEST)
MAX. OPERATING PRESS. DIFFERENTIAL	3.1 MPa ( 31 bar)
MIN. OPERATING PRESS. DIFFERENTIAL	0.3 MPa ( 3 bar)
VALVE LEAKAGE	6000 cm <sup>3</sup> /min. OR LESS WITH AIR UNDER O.P.D. 1 MPa ( 10bar) AND BODY TEMP. NORMAL TEMPERATURE BUT 9000 cm <sup>3</sup> /min. OR LESS AFTER THE DURABILITY TEST.
CAPACITY	R22, R407C : 18 ~ 45 kW R410A : 21 ~ 53 kW
MIN. OPERATING VOLTAGE *1	85% OR LESS OF RATED VOLTAGE AT ΔP 2.5MPa (25bar)
AMBIENT TEMPERATURE	-20 ~ +55 °C
ALLOWABLE FLUID TEMPERATURE	-20 ~ +120 °C
MAX. ALLOWABLE TEMPERATURE	+120 °C

MOUNTING POSITION



AVAILABLE TO INSTALL IN ANY POSITIONS WITH THE BODY AXIS HOLD HORIZONTALLY. 360°

AVAILABLE TO INSTALL IN ANY POSITIONS WITH THE BODY AXIS VERTICALLY AND THE SOLENOID COIL LOCATED ABOVE THE CENTER OF THE VALVE. 360°

\*1 MIN. OPERATING VOLTAGE IS SHOWN IN COIL SPECIFICATION DRAWING

Approved by	Date	Name	
	MAY. 31. 2006	4-WAY REVERSING VALVE BODY	
Designed by	Scale	Catalog Number	Drawing Number
	1:2	STF-0712G3	N-HV-17098-A
Drawn by	<b>SAGINOMIYA SEISAKUSHO, INC.</b>		

A MAY. 14. 2007 RENEWAL (REVISION OF FLUID, DURABILITY CAPACITY etc.) KUMADA