

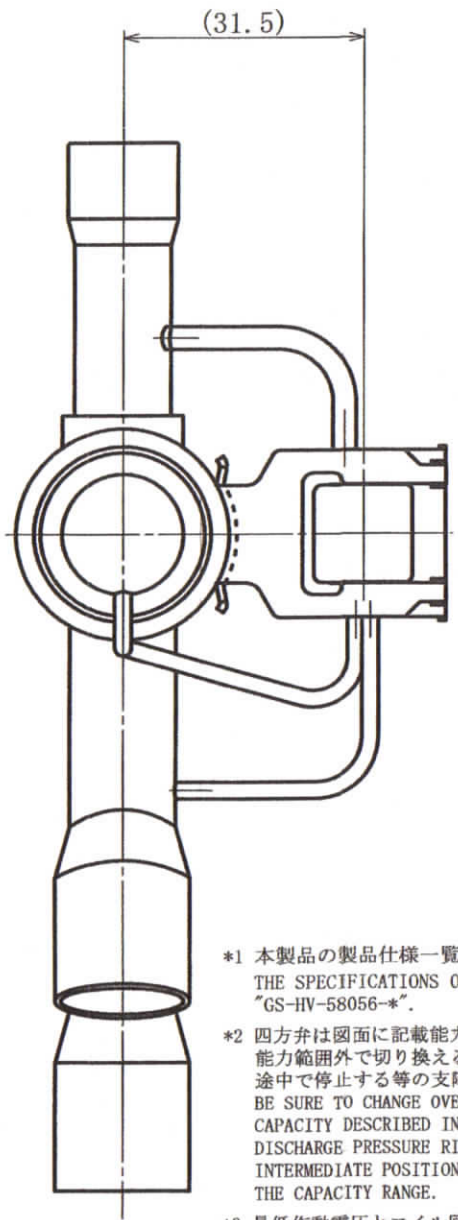
ラベル
 LABEL



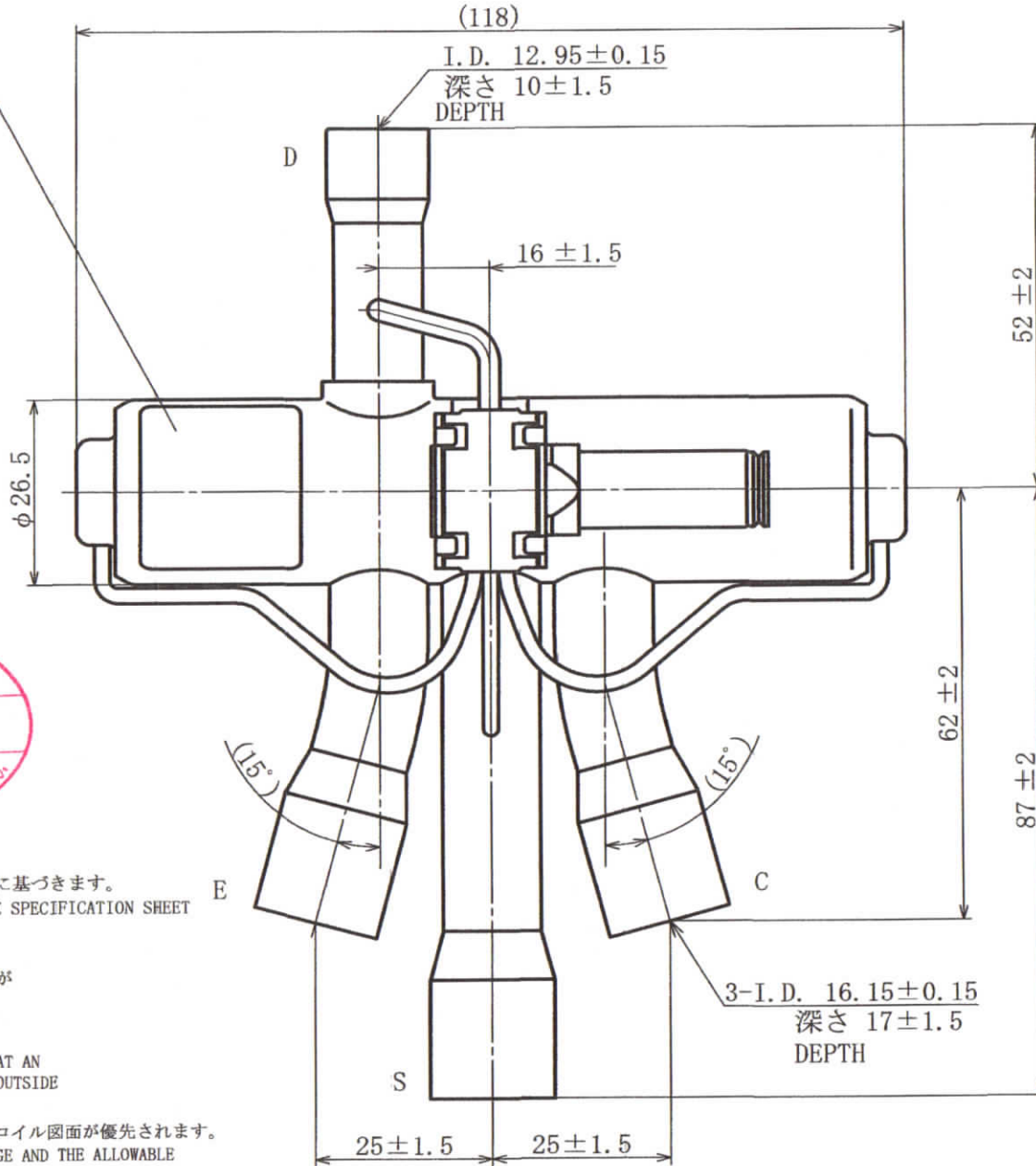
カタログ番号
 CATALOG No.
 製造年月日
 MANUFACTURING No.

例
 EXAMPLE

Z 25 8 年
 YEAR
 日
 DAY
 月
 MONTH
 1~9: 1月~9月
 JAN. ~ SEP.
 X: OCTOBER
 Y: NOVEMBER
 Z: DECEMBER



- *1 本製品の製品仕様一覧表は製品仕様書「GS-HV-58056-＊」に基づきます。
 THE SPECIFICATIONS OF THIS PRODUCTS ARE BASED ON THE SPECIFICATION SHEET "GS-HV-58056-＊".
- *2 四方弁は図面に記載能力範囲内で切換えを行って下さい
 能力範囲外で切り換えると、吐出圧力の上昇や、四方弁の弁が途中で停止する等の支障が発生する場合があります
 BE SURE TO CHANGE OVER 4-WAY VALVE WITHIN THE RANGE OF CAPACITY DESCRIBED IN THE DRAWING.
 DISCHARGE PRESSURE RISE OR STOP OF THE INTERNAL VALVE AT AN INTERMEDIATE POSITION MAY OCCUR IF IT IS CHANGED OVER OUTSIDE THE CAPACITY RANGE.
- *3 最低作動電圧とコイル図面の許容電圧変動に差がある場合はコイル図面が優先されます。
 WHEN THERE IS A DIFFERENCE IN THE MIN. OPERATING VOLTAGE AND THE ALLOWABLE VOLTAGE VARIATION IN THE COIL DRAWING, A COIL DRAWING IS GIVEN PRIORITY TO.



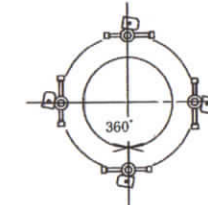
継手位置は冷房時（無通電時）の状態を示す
 CONNECTIONS INDICATED BELOW SHOW AT COOLING MODE
 (WHEN COIL IS DE-ENERGIZED)

- D継手 : 圧縮機吐出側
 D CONNECTION : DISCHARGE
- E継手 : 蒸発器
 E CONNECTION : EVAPORATOR
- S継手 : 圧縮機吸入側
 S CONNECTION : SUCTION
- C継手 : 凝縮器
 C CONNECTION : CONDENSER

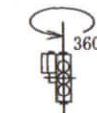
製品仕様一覧表*1
 SPECIFICATIONS

耐圧試験圧力 WATER TEST PRESSURE	水圧 WITH WATER PRESSURE	6.44 MPa
気密試験圧力 AIRTIGHT TEST PRESSURE	空圧 WITH AIR PRESSURE	4.5 MPa
最高使用圧力 MAX. WORKING PRESSURE		4.5 MPa
継手 CONNECTION	図示 ILLUSTRATE	
流体 FLUID		R22, R407C, R410A
弁口径 PORT SIZE		11.5 mm
弁動作 VALVE OPERATION	パイロット形四方切換弁 PILOT OPERATED 4-WAY REVERSING VALVE	
耐久回数 DURABILITY	高圧側圧力 2.5 MPa 低圧側大気開放 本体温度常温においての空圧試験（油潤滑）で 50000 回 50000 TIMES TESTED BY AIR PRESSURE UNDER DISCHARGE PRESSURE 2.5 MPa, SUCTION TUBE OPEN TO ATMOSPHERE AND BODY TEMP. NORMAL TEMPERATURE (LUB. OIL APPLIED DURING THE TEST)	
最高作動圧力差 MAX. OPERATING PRESS. DIFFERENTIAL	3.1 MPa	
最低作動圧力差 MIN. OPERATING PRESS. DIFFERENTIAL	0.3 MPa PROVISO:SUFFICIENT QUANTITY OF REFRIGERANT CYCLE IS REQUIRED ON REVERSING OF SLIDE VALVE.	
内部漏洩量 VALVE LEAKAGE	ΔP 1 MPa 本体温度常温、空気において 1500 cm ³ /min以下 但し、耐久後は 2000 cm ³ /min以下 1500 cm ³ /min. OR LESS WITH AIR UNDER O. P. D. 1 MPa AND BODY TEMP. NORMAL TEMPERATURE BUT 2000 cm ³ /min. OR LESS AFTER THE DURABILITY TEST.	
能力 CAPACITY	*2	R22, R407C: 4.5 ~ 12.5 kW R410A : 5.3 ~ 14.6 kW
最低作動電圧 MIN. OPERATING VOLTAGE	*3	ΔP 2.5 MPa において定格の 85 %以下 85% OR LESS OF RATED VOLTAGE AT ΔP 2.5 MPa
使用周囲温度 AMBIENT TEMPERATURE		-30 ~ +55 °C
許容流体温度 ALLOWABLE FLUID TEMPERATURE		-30 ~ +140 °C
耐熱 MAX. ALLOWABLE TEMPERATURE		+130°C (本体部をヌレ雑巾等で冷却しながらろう付を 行って下さい。) (BE SURE TO KEEP COOL WITH APPLYING SOME WETTED CLOTH OR THE LIKE ON THE VALVE BODY DURING BRAZING.)

取付姿勢
 MOUNTING POSITION



本体軸を水平とする360°
 AVAILABLE TO INSTALL IN ANY POSITIONS
 POSITIONS WITH THE BODY AXIS
 HOLD HORIZONTALLY. 360°



コイル部を上とし
 本体軸を垂直とする360°
 AVAILABLE TO INSTALL IN ANY
 POSITIONS WITH THE BODY AXIS
 VERTICALLY AND THE SOLENOID
 COIL LOCATED ABOVE THE CENTER
 OF THE VALVE. 360°

Approved by 	Date DEC 25 2018	Name 四方弁本体 4-WAY REVERSING VALVE BODY	
Designed by 	Scale 1:1	Catalog Number STF-H0316G3	Drawing Number N-HV-85042
Drawn by 	SAGINOMIYA SEISAKUSHO, INC.		