



## Product information

High-quality fully-sealed butterfly valve with a duplex disc, fixed vulcanized FKM/Viton rubber lining. Semi-LUG design. Also suitable for vacuum and as an end valve. With a hand lever, worm gear or actuator.

Dimension range (DN)	50 - 2200
PN	10
Temperature (°C)	0 - 200
Main material	Ductile iron

---

## Area of use

For shut-off and regulation. Viton rubber: Hydrocarbon compounds, oils, and hot air up to +200°C. Not suitable for hot water!

## Tender text

### **PSB.2 Rotary butterfly valves**

Butterfly valve AT 2319, with a housing made of ductile iron and a Viton lining vulcanized to the housing, as well as a disc made of acid-resistant duplex steel.

AT 2319S with lever standard up to DN150,

AT 2319V with gearbox standard from DN200.

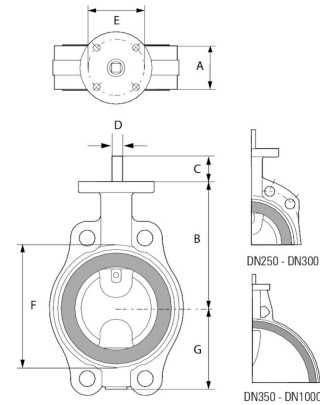
## Quality assurance

PED 2014/68/EU, AFS 2016:1

### **The product is CE marked**

**Product marking:** Brand, DN, PN, material according to SS-EN 29.

Pos	Component	Material
1	Valve body	Ductile iron GJS-400-15 (GGG40)



### Measurements and weight

**Dimension range (DN):** 50 - 2200

DN	50	65	80	100	125	150	200	250	300	400	500
A	43	46	46	52	56	56	60	68	78	102	127
B	118	126	133	147	160	180	204	245	270	363	413
C	63	71	78	98	109	133	158	194	219	308	360

### Function and design

Fully sealed maintenance-free butterfly valve with a centrally located disc, split spindle, and a completely housed body with in-house vulcanized rubber lining that eliminates the risk of gap corrosion, protects the valve body internally against corrosion, and serves as a flange gasket. The manufacturing process ensures excellent sealing and increased lifespan as wear of the lining is eliminated. The profile of the disc is crucial to achieving good flow characteristics, which ultimately leads to minimizing energy losses. The valve is tight regardless of the flow direction.

Valve body with SEMI-LUG mounting ears for one-sided installation

This design ensures that the valve maintains its sealing function even when mounted on one side, for example as an end valve.

The disc and shaft pins are connected by one or more strong tapered pins.

Standard surface treatment class C3 according to ISO 12944.

For outdoor installation where there are significant amounts of air pollution or moderate amounts of salt, such as in industrial and coastal areas, without rain protection, class C4 is recommended.

### Technical data

**Main material:** Ductile iron

**Main material code:** Ductile iron GJS-400-15 (GGG40)

**Included materials:** Stainless steel, Rubber, Ductile iron

**Included material code:** Stainless steel duplex (1.4462), Ductile iron GJS-400-15 (GGG40), FPM/FKM (fluorine rubber)

**Temperature (°C):** 0 - 200

**PN:** 10

**Connection:** Flanged EN1092

**ETIM classification:** EC010910 - Butterfly valve

**BK04 code:** 20706 Single-leaf dampers

**Product colour:** RAL 2000 - Yellow orange

## Installation and maintenance

**Flowdirection:** Bi-directional

**Possible mounting position:** Vertical, Horizontal

**Possible mounting position notes:** "Mounting with a horizontal spindle axis is optimal."

The valve is intended to be mounted between flanges, without gaskets, and where possible with the shafts in a horizontal position. Avoid mounting the valve with the shaft downwards. In the case of one-sided mounting, bolts and nuts should not be tightened with a higher torque than specified in the table in the relevant standard. The valve should be operated regularly to avoid the accumulation of dirt that can lead to leakage.

Please feel free to contact us

We answer your questions by e-mail and telephone. No question is too small, no challenge is too big. You are always welcome at Armatec.

[info@armatec.se](mailto:info@armatec.se) | +46 31 89 01 00 | [www.armatec.se](http://www.armatec.se)

THE COMPANY'S MANAGEMENT SYSTEM  
IS CERTIFIED BY DNV  
ISO 9001 • ISO 14001