

Product information

A gate valve made of grey iron with flanges and mounting flanges for actuators. Suitable for automation. Primarily for use with water, compressed air, and non-aggressive gases.

| | |
|----------------------|-----------|
| Dimension range (DN) | 15 - 200 |
| PN | 16 |
| Temperature (°C) | -10 - 180 |
| Main material | Cast iron |



Area of use

Shut-off valve for the following media:

- Cold and hot water
- Non-aggressive gases
- Compressed air

Tender text

PSB.1 Ball valves

Ball valve AT 3587, DN..., in a two-piece design with full bore, with a housing made of grey iron and seat rings made of PTFE. PN 16.

Quality assurance

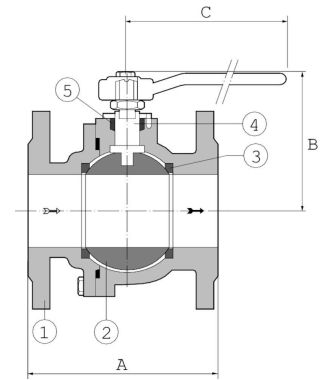
AFS 2016:1

Product marking: Brand, DN, PN and material.

Energy and environment declaration

SundaHus: C-

| Pos | Component | Material |
|-----|-----------|----------|
|-----|-----------|----------|



Measurements and weight

Dimension range (DN): 15 - 200

| DN | A | B | C | D |
|-----|-----|-----|-----|-------|
| 15 | 115 | 108 | 160 | 50 |
| 20 | 120 | 113 | 160 | 55 |
| 25 | 125 | 118 | 160 | 60 |
| 32 | 130 | 130 | 160 | 72 |
| 40 | 140 | 135 | 200 | 77 |
| 50 | 150 | 138 | 200 | 80 |
| 65 | 170 | 156 | 250 | 98 |
| 80 | 180 | 167 | 250 | 108.5 |
| 100 | 190 | 170 | 320 | 134 |
| 125 | 325 | 195 | 500 | 160 |
| 150 | 350 | 225 | 500 | 190 |
| 200 | 400 | 270 | 500 | 235 |

Function and design

Two-piece ball valve with full bore. Mounting flange according to ISO 5211 for actuators.

Technical data

Main material: Cast iron

Main material code: Cast iron GJL-200 (GG20)

Included materials: Cast iron, Stainless steel, Rubber, Other

Included material code: Stainless steel 304 (1.4301), Cast iron GJL-200 (GG20), FPM/FKM (fluorine rubber), PTFE (polytetrafluoroethylene)

Temperature (°C): -10 - 180

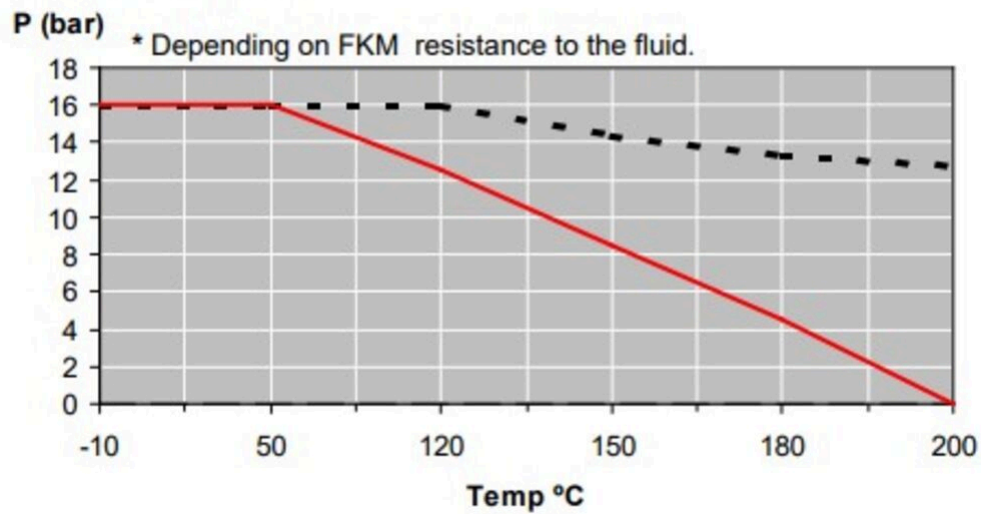
PN: 16

Connection: Flanged EN1092

ETIM classification: EC011343 - Ball valve

BK04 code: 20702 Ball valves

Pressure-Temperature



Installation and maintenance

Flowdirection: Bi-directional

Possible mounting position: Vertical, Horizontal

AT 3587 DN 15-200, Flanges according to EN1092-PN 16. The valve should be operated regularly to avoid the accumulation of dirt that can lead to leakage.

Please feel free to contact us

We answer your questions by e-mail and telephone. No question is too small, no challenge is too big. You are always welcome at Armatec.

info@armatec.se | +46 31 89 01 00 | www.armatec.se

THE COMPANY'S MANAGEMENT SYSTEM
IS CERTIFIED BY DNV
ISO 9001 • ISO 14001