



## Product information

High-quality fully-sealed butterfly valve with a stainless steel disc and a fixed vulcanized EPDM rubber liner. Semi-LUG design. Also suitable for vacuum and as an end valve with a hand lever, worm gear or actuator. With a high neck for over-insulation.

Dimension range (DN)	50 - 2200
PN	10 - 16
Temperature (°C)	-20 - 110
Main material	Cast iron



## Area of use

For shut-off and regulation. Hot and cold water:

- Heating and cooling systems
- Glycol mixed water
- Vacuum
- Neutral gases

EPDM rubber: Hot water, air, neutral gases, some diluted inorganic acids, some alcohols (max 30%)

EPDM high temp: Cooling and heating water with an extended temperature range, -30°C to 130°C.

## Tender text

### **PSB.2 Rotary butterfly valves**

Butterfly valve AT 2311, with a gray iron body and a fixed vulcanized EPDM liner in the body, as well as a stainless steel disc.

AT 2311S with a lever standard up to DN150,

AT 2311V with a gearbox standard from DN200.

## Quality assurance

PED 2014/68/EU, AFS 2016:1

**The product is CE marked**

**Product marking:** Brand, DN, PN, material according to SS-EN 19.

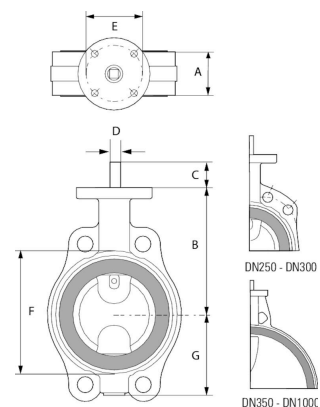
## Energy and environment declaration

**Product Bvb:** Avoided

**Product BVB ID:** 43129

**SundaHus:** B

Pos	Component	Material
1	Valve body	Cast iron GJL-250 (GG25)



## Measurements and weight

**Dimension range (DN):** 50 - 2200

DN	A	B	G
50	43	152	63
65	46	160	71
80	46	167	78
100	52	189	98
125	56	202	109
150	56	224	133
200	60	248	158
250	68	245	194
300	78	270	219
350	78	315	236
400	102	363	308
450	114	388	334
500	127	413	360
600	154	510	426
800	190	610	549

## Function and design

Fully tight maintenance-free butterfly valve with a centrally placed disc, split spindle, and a completely housed body with an in-house vulcanized rubber lining that eliminates the risk of gap corrosion, protects the valve body internally against corrosion, and serves as a flange gasket. The manufacturing process ensures excellent sealing and increased lifespan as wear of the lining is eliminated. The disc profile is crucial to achieving good flow characteristics, which ultimately leads to minimizing energy losses. The valve is tight regardless of flow direction.

Valve body with SEMI-LUG mounting ears for one-sided installation. AT 2311 is equipped with mounting ears up to DN 300. Hole pattern according to PN16 up to DN 200 and PN10 for DN250-300.

The disc and shaft pins are connected with one or more strong tapered pins. AT 2311 DN 50-200 butterfly valve is delivered as standard with a high spindle neck for over-insulation. Construction length according to SS-EN 558. Top flange according to ISO 5211.

Standard surface treatment class C3 according to ISO 12944. For outdoor installation where there are significant amounts of air pollution or moderate amounts of salt, such as in industrial and coastal areas, without rain protection, class C4 is recommended.

## Technical data

**Main material:** Cast iron

**Main material code:** Cast iron GJL-250 (GG25)

**Included materials:** Cast iron, Stainless steel, Rubber

**Included material code:** Stainless steel 431 (1.4057), Cast iron GJL-250 (GG25), EPDM (ethylene propylene diene monomer rubber)

**Temperature (°C):** -20 - 110

**PN:** 10 - 16

**Connection:** Flanged EN1092

**ETIM classification:** EC010910 - Butterfly valve

**BK04 code:** 20706 Single-leaf dampers

**MagiCAD link:** <https://redir.magicad.cloud/product/20e2d479-6ec5-4f4b-9f19-1bbe61317abc>

**Product colour:** RAL 2000 - Yellow orange

## Installation and maintenance

**Flowdirection:** Bi-directional

**Possible mounting position:** Vertical, Horizontal

**Possible mounting position notes:** "Mounting with a horizontal spindle axis is optimal."

The valve is intended to be mounted between flanges, without gaskets, and where possible with the shafts in a horizontal position. Avoid mounting the valve with the shaft downwards. In the case of one-sided mounting, bolts and nuts should not be tightened with a higher torque than specified in the table in the relevant standard. The valve should be operated regularly to avoid the accumulation of dirt that can lead to leakage.

Please feel free to contact us

We answer your questions by e-mail and telephone. No question is too small, no challenge is too big. You are always welcome at Armatec.

[info@armatec.se](mailto:info@armatec.se) | +46 31 89 01 00 | [www.armatec.se](http://www.armatec.se)

THE COMPANY'S MANAGEMENT SYSTEM  
IS CERTIFIED BY DNV  
ISO 9001 • ISO 14001