

Product information

High neck, full flow, external thread, and steel handle. Viridi ball valve in dezincification-resistant lead-free brass (less than 0.1% lead). Shut-off valve for hot and cold tap water. Can also be used in cooling systems and for air, non-flammable gases, and lighter oils (such as diesel), see also section "Installation". Silicone-free. AT 3711UK is intended to be assembled with solder or press ends. Also suitable as a replacement valve according to SS 1129/SMS 3269.

Dimension range (DN)	10 - 50
Temperature (°C)	0 - 150
Main material	Brass



Area of use

Viridi shut-off valve for hot and cold tap water. It can also be used in heating systems, cooling systems, and for air, non-flammable gases, and lighter oils (such as diesel), see also section "Installation". Silicone-free. AT 3711UK is intended to be assembled with solder or press ends. Also as a replacement valve according to SS 1129/SMS 3269. PN40 for \leq DN50 (Max 40bar empty +95°C, max 25bar at +150°C) PN25 for \geq DN65 (Max 25bar empty +95°C, max 16bar at +150°C) Suitable for water from 0°C to 150°C. Suitable for air from -10°C to 150°C. Can be used down to -30°C in cooling systems with glycol-blended media.

Tender text

PSB.1 Ball valves

Viridi ball valve AT 3711UK in dezincification-resistant lead-free brass (lead content below 0.1%). With full flow, cast high spindle neck, and steel handle. PN 16. Graphite packing and teflonized ball. Viridi ball valve AT 3711UK is approved for installation where requirements from the Building Assessment and Healthy House have been set.

Quality assurance

AFS 2016:1, 8 paragraf

The Viridivent valves may be used for liquids and gases in group 2 according to AFS 2016:1. The Viridivent valves are covered by AFS 2016:1, 8§, the directive for pressure equipment (PED 3.3) and therefore may not be CE marked. The Viridi range is made of alloys that are covered by the "4MS Common Composition List" which includes materials and products approved for use in contact with drinking water.

Product marking: Brand, PN and DN.

Energy and environment declaration

Product Bvb: Accepted

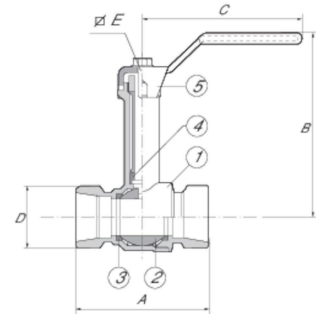
Product BVB ID: 50195

SundaHus: C-

Measurements and weight

Dimension range (DN): 10 - 50

DN	10	15	20	25	32	40	50
A	50	55	60	70	80	90	100
B	96	98	102	112	117	132	140
C	91.5	91.5	91.5	126.5	126.5	160	160
D							



Function and design

AT 3711UK has a so-called "blow-out safe" spindle. AT 3711UK has a high spindle neck. Suitable for installation where the valve needs to be over-insulated. AT 3711UK DN 40 and DN 50 are equipped with a regular handle, if a slow-closing handle is desired, choose AT 3711UK40V or AT 3711UK50V. Viridi valves have full flow.

Technical data

Main material: Brass

Main material code: Brass (CuZn38As) (CW511L, Pb<0,1%)

Included materials: Brass, Steel, Other

Included material code: Brass (CuZn38As) (CW511L, Pb<0,1%), PTFE (polytetrafluoroethylene)

Temperature (°C): 0 - 150

Temperature notes: PN40 for ≤DN50 (Max 40bar up to +95°C, max 25bar at +150°C) PN25 for ≥DN65 (Max 25bar up to +95°C, max 16bar at +150°C). Suitable for water from 0°C to 150°C. Suitable for air from -10°C to 150°C. Can be used down to -30°C in cooling systems with glycol-based media.

ETIM classification: EC011343 - Ball valve

BK04 code: 20702 Ball valves

Comment to colour: Natural colour, untreated.

Installation and maintenance

Flowdirection: Bi-directional

Possible mounting position: Vertical, Horizontal

The grooves and sealing surfaces on the valve should be lubricated with paste to facilitate assembly. Never clamp the valve body with a pipe wrench or vice. Always use existing counterforce when fixing the valve. Retightening of the packing may be necessary for air and gas systems when the pressure exceeds 6 bar. For optimal function, the valve should be operated at least 2 times per year.

Please feel free to contact us

We answer your questions by e-mail and telephone. No question is too small, no challenge is too big. You are always welcome at Armatec.

info@armatec.se | +46 31 89 01 00 | www.armatec.se

THE COMPANY'S MANAGEMENT SYSTEM
IS CERTIFIED BY DNV
ISO 9001 • ISO 14001