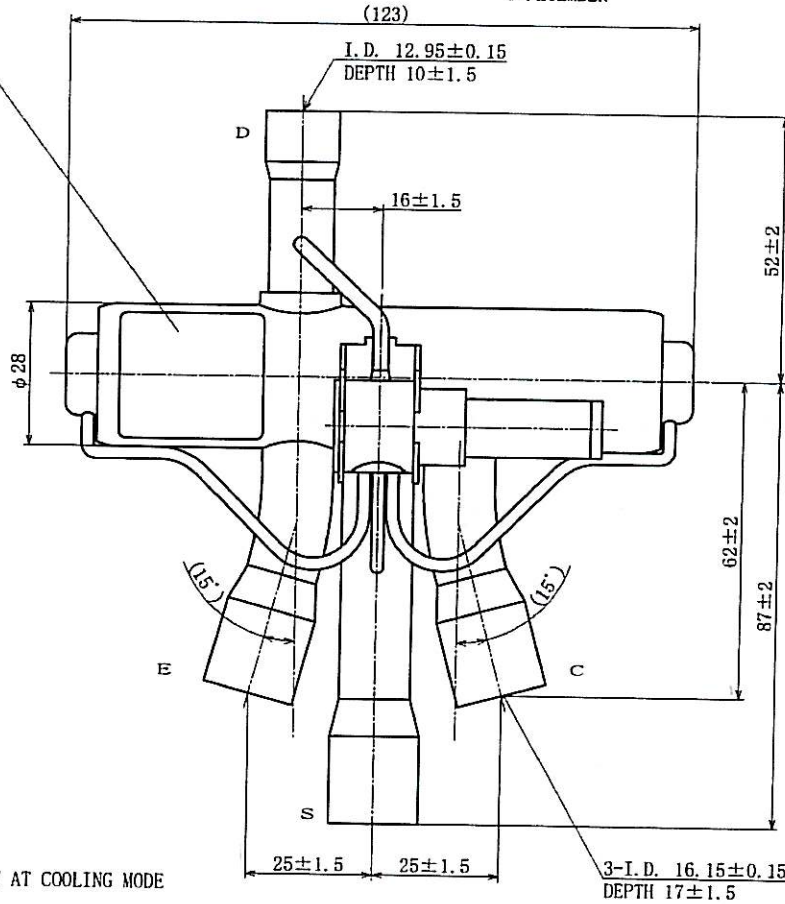
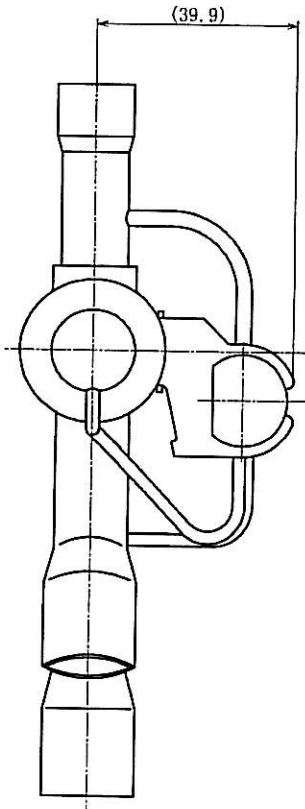




CATALOG No.  
MANUFACTURING No.

EXAMPLE  
4 28 8  
YEAR  
DAY  
MONTH 1~9: JAN. ~SEP.  
X: OCTOBER  
Y: NOVEMBER  
Z: DECEMBER



CONNECTIONS INDICATED BELOW SHOW AT COOLING MODE  
(WHEN COIL IS DE-ENERGIZED)

- D CONNECTION : DISCHARGE
- C CONNECTION : CONDENSER
- S CONNECTION : SUCTION
- E CONNECTION : EVAPORATOR



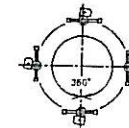
WE MANUFACTURE THE PRODUCT BASED ON THE SPECIFICATIONS DESCRIBED IN THIS DRAWING. PLEASE CHECK THE SAFETY AND VALIDITY IN THE PRODUCT DESIGN IN CONSIDERATION THAT THE PRODUCT IS CONFORMED TO THE SYSTEM OR NOT WHEN USING.

B NOV. 11. 2009. REVISED (CHANGE OF AMBIENT TEMPERATURE, ALLOWABLE FLUID TEMPERATURE AND MAX. ALLOWABLE TEMPERATURE.) YAMAMAKA  
A MAY. 30. 2008. RENEWAL (CHANGED TO SPECIFICATION OF HIGH DURABILITY AND SPECIFICATION OF BACK PRESSURE FOR SOLENOID PART) KUMADA

SPECIFICATIONS

WATER TEST PRESSURE	WITH WATER PRESSURE 6.44 MPa (64.4 bar)
AIR TIGHT TEST PRESSURE	WITH AIR PRESSURE 4.5 MPa (45.0 bar)
MAX. WORKING PRESSURE	4.5 MPa (45.0 bar)
CONNECTION	ILLUSTRATE
FLUID	R22, R407C, R410A
PORT SIZE	11.5 mm
VALVE OPERATION	PILOT OPERATED 4-WAY REVERSING VALVE
DURABILITY	50000 TIMES TESTED BY AIR PRESSURE UNDER DISCHARGE PRESSURE 2.5 MPa, SUCTION TUBE OPEN TO ATMOSPHERE AND BODY TEMP. NORMAL TEMPERATURE (LUB. OIL APPLIED DURING THE TEST)
MAX. OPERATING PRESS. DIFFERENTIAL	3.1 MPa (31 bar)
MIN. OPERATING PRESS. DIFFERENTIAL	0.3 MPa (3 bar)
VALVE LEAKAGE	1500 cm <sup>3</sup> /min. OR LESS WITH AIR UNDER O. P. D. 1 MPa (10bar) AND BODY TEMP. NORMAL TEMPERATURE BUT 2000 cm <sup>3</sup> /min. OR LESS AFTER THE DURABILITY TEST.
CAPACITY	R22, R407C : 4.6 ~ 12.5 kW R410A : 5.3 ~ 14.6 kW
MIN. OPERATING VOLTAGE *1	85% OR LESS OF RATED VOLTAGE AT ΔP 2.5 MPa (25bar)
AMBIENT TEMPERATURE	-30 ~ +55 °C
ALLOWABLE FLUID TEMPERATURE	-30 ~ +140 °C (*2)
MAX. ALLOWABLE TEMPERATURE	+130 °C

MOUNTING POSITION



AVAILABLE TO INSTALL IN ANY POSITIONS WITH THE BODY AXIS HOLD HORIZONTALLY. 360°

AVAILABLE TO INSTALL IN ANY POSITIONS WITH THE BODY AXIS VERTICALLY AND THE SOLENOID COIL LOCATED ABOVE THE CENTER OF THE VALVE. 360°

\*1 MIN. OPERATING VOLTAGE IS SHOWN IN COIL SPECIFICATION DRAWING  
\*2 THE MAX. TEMPERATURE 140°C IS FLUID TEMPERATURE OF DISCHARGE SIDE.

**NORDICOLD**

Approved by <i>S. Yamazaki</i>	Date MAR. 28 2008	Name 四方弁本体 4-WAY REVERSING VALVE BODY
Designed by <i>H. Yamazaki</i>	Scale 1:1	Catalog Number STF-0316G3
Drawn by <i>S. Yamazaki</i>		Drawing Number N-HV-15066-B
<b>SAGINOMIYA SEISAKUSHO, INC.</b>		