

# Drufi+ max DFR 2315

Semi-automatic backwash filter with pressure reducing valve DN 32 - DN 50

2



## Field of application

SYR Drufi+ max DFR is a valve combination specially designed for installation at the domestic point of entry. It includes a semi-automatic backwash filter and a pressure reducing valve in accordance with the European standard EN 1567. The integrated construction form results in a compact unit, so that

installation is possible even in confined spaces. Use the Drufi+ max universal flange (order separately) for installation in the pipe. This flange can be mounted in vertical and horizontal pipework. The ball valve is supplied with a tundish for the connection of a synthetic pipe of DN 50.

## Design

The Drufi+ max DFR is composed of a mechanical semi-automatic backwash filter made of stainless steel. It also includes a flange seal, hexagon socket screws for the flange assembly and an assembly key for the hexagon socket screws. The pressure reducing valve is factory-set to 4 bar and the ex-

ternal adjustment knob allows individual pressure setting between 1.5 and 6 bar. Manometers for inlet and outlet pressure are also included in the delivery. The Drufi max DFR can be retrofitted with the automatic backwash system RSA (2316.00.081) to become a fully automatic backwash filter.

### Materials

The filter cap is made of high-quality synthetic material. The body and the internal synthetic parts are made of shock-resistant thermoplast, the rubber parts of ageing-resistant elastomer. All remaining functional parts are made of a low-lead dezincification resistant gunmetal alloy or stainless steel. The

ring seals are made of asbestos-free fibre. All materials are tested and certified by an internationally recognised test institute in Germany (DVGW). All synthetic components getting in contact with water designed for human consumption are approved by the German Public Health Office (KTW).

### Installation

It is recommended to install a filter in a drinking water system for the protection against corrosion and many applications require pressure reducing valves. Both valves shall be installed directly

behind the water metering system and be easily accessible. In the Drufi+ max DFR, the filter is installed upstream of the pressure reducing valve in order to protect the latter.

Thoroughly flush the pipework prior to installation. Use filtered water from the first onset of the drinking water installation. Always use a universal flange to mount the Drufi+ max DFR, which allows installation in vertical and horizontal pipes. The

main axis of the filter has to be vertical. Install the suitable flange in the pipework without applying stresses. Attach it to the filter body with 4 stainless steel screws; pull them pressure-tight crosswise with the key included in the delivery.

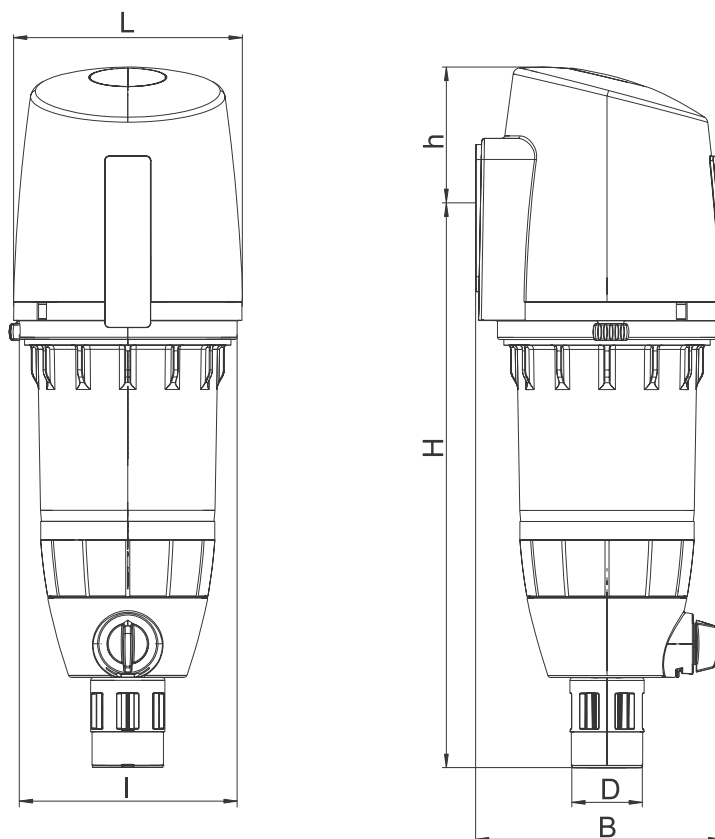
### Technical data

Operating pressure:	min. 2 bar, max. 16 bar
Operating temperature:	max. 30 °C
Mounting position:	any, with angle tundish also in horizontal position
Fluid:	potable water
Mesh width:	90 µm (lower); 125 µm (upper)
Flow rate:	DN 32: 5.8 m <sup>3</sup> /h at 1.1 bar Δp DN 40: 9.1 m <sup>3</sup> /h at 1.1 bar Δp DN 50: 14.0 m <sup>3</sup> /h at 1.1 bar Δp
Serial number:	2315.00.045

### Maintenance

When the flow rate is reduced due to increased pressure loss, but every 6 months at the latest, the filter needs to be serviced by backwashing. The backwash system of the Drufi max DFR is semi-automatic. Open and close the ball valve to trigger

the automatic backwash operation of the complete filter. Even during backwashing, the device continues to supply filtered water into the potable water system.



Connection flange is not included in the delivery

Nominal size	DN 32 - DN 50	
Dimensions in mm	L (mm)	159,6
	I (mm)	153,4
	H (mm)	384,5
	h (mm)	105,7
	D (mm)	50
	B (mm)	172,3

#### Accessories

Universal flange Drufi max:

DN 32: 2315.32.015  
 DN 40: 2315.40.005  
 DN 50: 2315.50.005

Automatic backwash system RSA: 2316.00.081

## Components / Order numbers

- ① **Protecting cap**  
2315.01.928
- ② **Manometer**  
0-10 bar  
2315.01.930
- ③ **Valve body**  
2315.01.931
- ④ **Filter**  
2315.01.932
- ⑤ **Pressure reducer cartridge**  
2315.01.934
- ⑥ **Spring**  
2315.01.935
- ⑦ **O-Ring**  
2315.01.940
- ⑧ **Filter cap**  
2315.01.936
- ⑨ **Knob, complete**  
2315.01.941
- ⑩ **Tundish, complete**  
2315.01.943

