

Product information

Stainless steel ball valve with flanges and mounting flange for actuators. Suitable for automation. For mainly acids and salt solutions, gas, steam, hot and cold water.

Dimension range (DN)	15 - 300
PN	16 - 40
Temperature (°C)	-50 - 200
Main material	Stainless steel



Area of use

Mainly, the shut-off valve is divided as follows:

Tender text

PSB.1 Ball valves

Two-part flanged ball valve in stainless acid-resistant steel AT 3582..., with full bore, flanged connection, and handle made of cast iron.

Quality assurance

PED 2014/68/EU, AFS 2016:1, AFS 2016:1, 8 paragraf

The product is CE marked

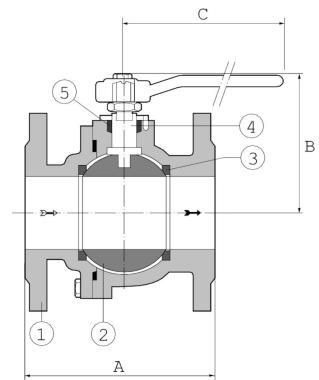
Product marking: Brand, DN, PN and material.

Energy and environment declaration

SundaHus: C-

List of details

Pos	Component	Material
1	Valve body	Acid resistant stainless steel 316 (1.4408)
2	Ball	Acid resistant stainless steel 316 (1.4408)
3	Seat rings	PTFE (polytetrafluoroethylene)
4	Stem	Acid resistant stainless steel 316 (1.4408)
5	Stem packing	PTFE (polytetrafluoroethylene)



Measurements and weight

Dimension range (DN): 15 - 300

DN	A	B	C
15	115	95	160
20	120	98	160
25	125	112	160
32	130	163	213
40	140	176	213
50	150	186	213
65	170	203	300
80	180	216	300
100	190	215	465
125	325	240	715
150	350	279	774
200	400	307	845
300	500	389	

Function and design

Two-piece ball valve with full bore in firesafe design. Floating homogeneous ball with relief for tight shut-off and low pressure drop. Antistatic designed blow-out proof spindle according to BS 5351 prevents the spindle from being pushed out during pressure surges. Mounting flange according to ISO 5211 for actuator. Double graded from DN 200.

Technical data

Main material: Stainless steel

Main material code: Acid resistant stainless steel 316 (1.4408)

Included materials: Cast iron, Stainless steel, Other

Included material code: Acid resistant stainless steel 316 (1.4408), PTFE (polytetrafluoroethylene)

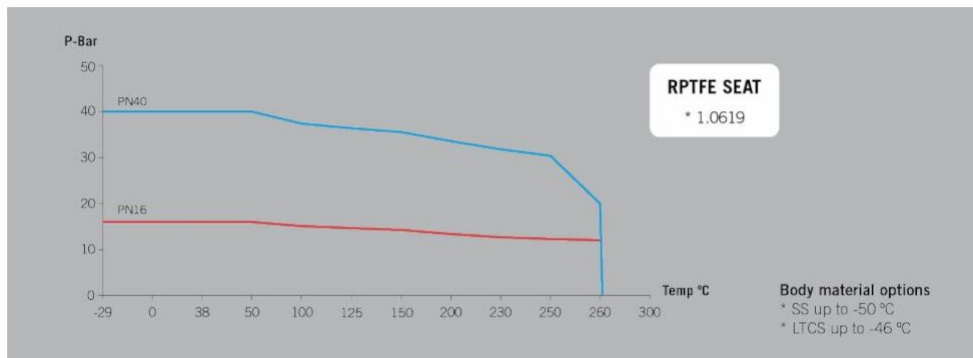
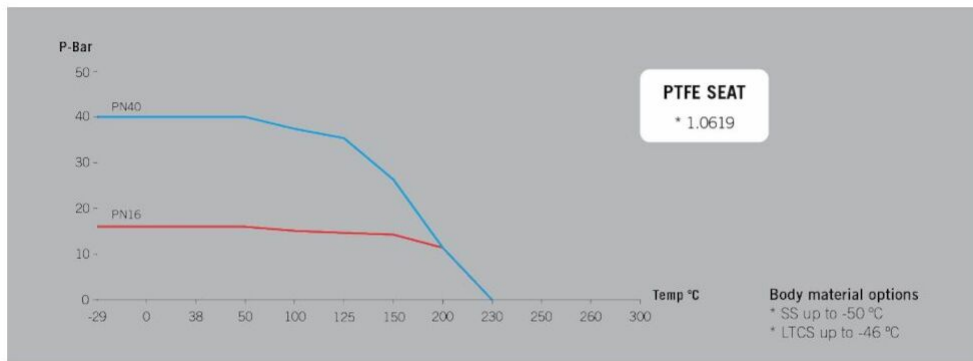
Temperature (°C): -50 - 200

PN: 16 - 40

Connection: Flanged EN1092

ETIM classification: EC011343 - Ball valve

BK04 code: 20702 Ball valves



Installation and maintenance

Flowdirection: Bi-directional

Possible mounting position: Vertical, Horizontal

AT 3582 DN 15-100 Flanges according to PN40.

AT 3582 DN 125-300 Flanges according to PN16. The valve should be regularly operated to avoid the accumulation of dirt that can lead to leakage.

Please feel free to contact us

We answer your questions by e-mail and telephone. No question is too small, no challenge is too big. You are always welcome at Armatec.

info@armatec.se | +46 31 89 01 00 | www.armatec.se

THE COMPANY'S MANAGEMENT SYSTEM
IS CERTIFIED BY DNV
ISO 9001 • ISO 14001