



APPROVALS



ENGINEERING CODE
959JD71

APPROVED REFRIGERANT
R-404A

POWER SUPPLY
208-230 V 60 Hz

STANDARD CONDITIONS
EN12900

APPLICATION
MBP

COOLING CAPACITY
1042 W (MBP)

EFFICIENCY
1.4 W/W (MBP)

MOTOR TYPE
CSCR

STARTING TORQUE
HST

DATA

General Data

Type	Hermetic reciprocating
Technology Type	On-Off
Displacement	12.11 cm ³
Compressor Cooling	Fan/NotControlled/208
Fan Air Flow	520 m ³ /h
Expansion Device	Capillary Tube or Expansion Valve
Horse Power	1/2 hp
Max Condensing Pressure Operating	24.71 bar
Max Condensing Pressure Peak	27.71 bar
Power Supply	208-230 V 60 Hz 1~
Evaporating Temperature Range	-20 °C to 10 °C

Electrical Data

Motor type	CSCR
Starting Torque	HST
Start Winding Resistance	19.98 Ω at 25° C
Run Winding Resistance	2.13 Ω at 25° C

Mechanical Data

Maximum Recommended Refrigerant Charge	350 g
Oil Charge	350 ml
Oil Type Configuration	ESTER
Oil Type Viscosity	ISO22
Pressurization	Dry air charge
Weight	11.9 Kg
Free Internal Volume	2.1 L

Electrical Components

	Description
CSR / CSIR Box	YES
Starting Device	RVA4M3C-109
Run Capacitor	7
Motor Protection	T0485/G9
Start Capacitor	64-77 Uf/330 V

External Characteristics

Base Plate	Universal	
Tray Holder	No	
Height	206 mm	
Connector	Internal Diameter	Shape
Suction	8.1 mm	Slanted 42°/Copper
Discharge	6.45 mm	Straight/Copper
Process	6.45 mm	Slanted 42°/Copper

PERFORMANCE

Rated Points

Condensing Temperature	Evaporating Temperature	Cooling Capacity	Power Consumption	Gas Flow Rate	Efficiency
45.00°C	-10.00°C	1042 W	744 W	31.29 kg/h	1.4 W/W

Test Condition: EN12900MBP, Fan/NotControlled/208, Return Gas 20°C, Evaporation -10.00°C, Condensing 45.00°C, Ambient 35°C, Liquid 45°C, Subcooling OK. Data are an indication of performance based simulation.

Performance Curve Data

Condensing Temperature 35°C

Evaporating Temperature °C	Cooling Capacity W	Power W	Gas Flow Rate kg/h	Efficiency W/W
-20	805	585	20.87	1.38
-15	1003	642	26.23	1.56
-10	1234	705	32.53	1.75
-5	1499	772	39.94	1.94
0	1801	845	48.59	2.13
5	2141	923	58.62	2.32
10	2522	1006	70.19	2.51

Test Condition: EN12900MBP, Fan/NotControlled/208, Return Gas 20°C, Ambient 35°C, Subcooling OK. Data are an indication of performance based simulation.

Condensing Temperature 45°C

Evaporating Temperature °C	Cooling Capacity W	Power W	Gas Flow Rate kg/h	Efficiency W/W
-20	671	613	19.77	1.09
-15	843	676	25.06	1.25
-10	1042	744	31.29	1.4
-5	1270	816	38.61	1.56
0	1530	892	47.17	1.71
5	1822	974	57.11	1.87
10	2150	1060	68.58	2.03

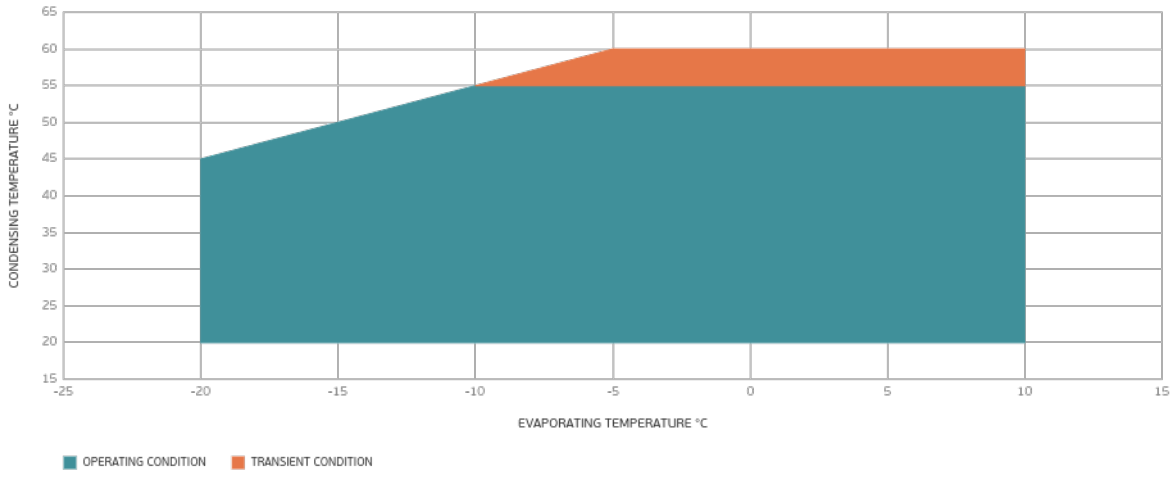
Test Condition: EN12900MBP, Fan/NotControlled/208, Return Gas 20°C, Ambient 35°C, Subcooling OK. Data are an indication of performance based simulation.

Condensing Temperature 55°C

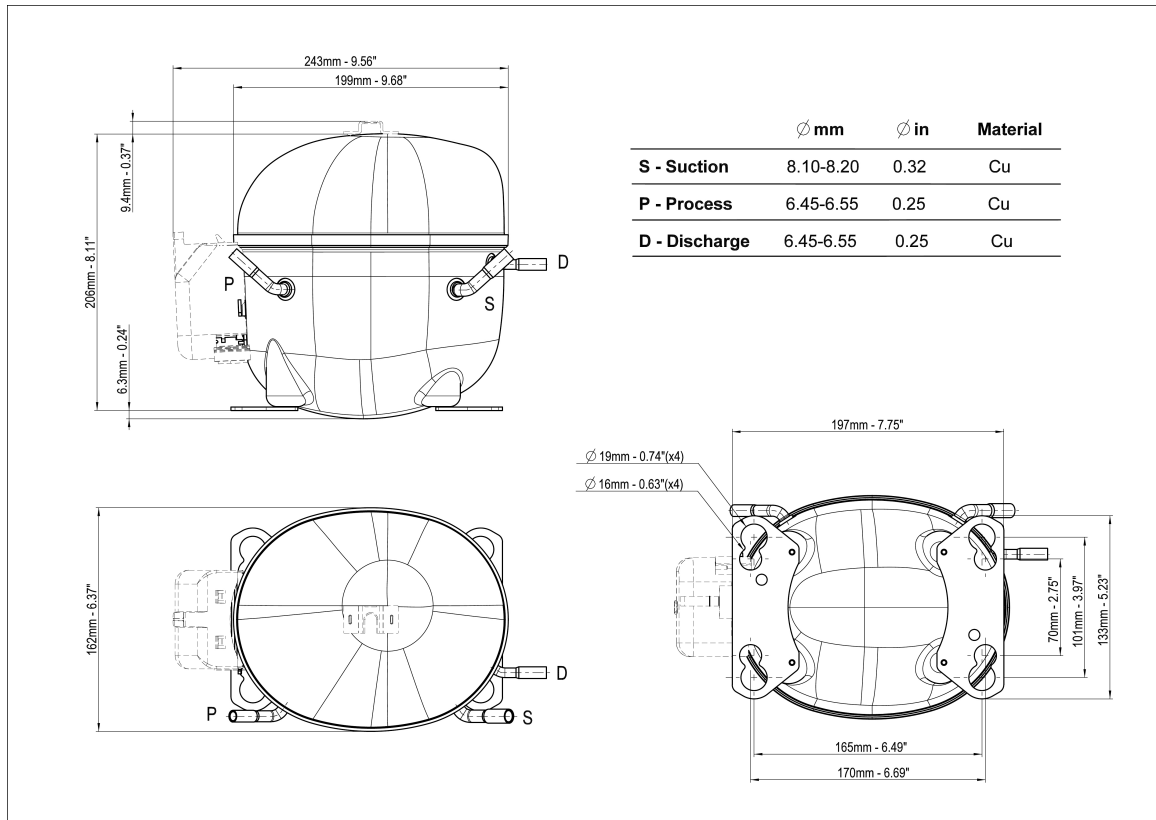
Evaporating Temperature °C	Cooling Capacity W	Power W	Gas Flow Rate kg/h	Efficiency W/W
-20	533	637	18.47	0.84
-15	676	707	23.67	0.96
-10	841	782	29.81	1.08
-5	1030	859	37.03	1.2
0	1244	941	45.48	1.32
5	1486	1026	55.31	1.45
10	1758	1116	66.66	1.58

Test Condition: EN12900MBP, Fan/NotControlled/208, Return Gas 20°C, Ambient 35°C, Subcooling OK. Data are an indication of performance based simulation.

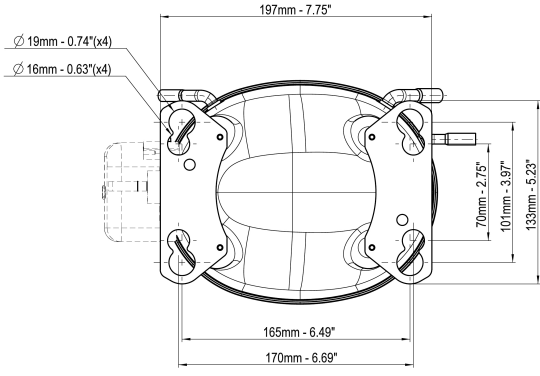
Operating Envelope



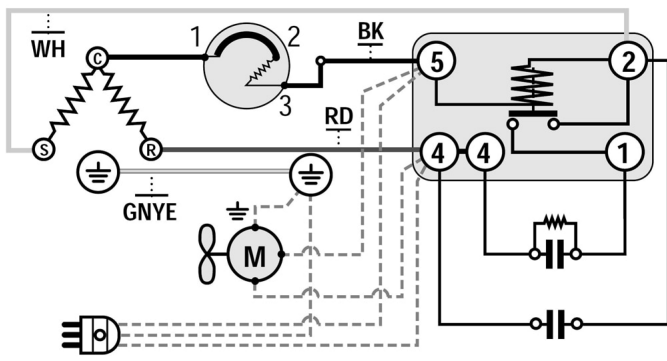
External Dimensions



	mm	in	Material
S - Suction	8.10-8.20	0.32	Cu
P - Process	6.45-6.55	0.25	Cu
D - Discharge	6.45-6.55	0.25	Cu



Wiring Diagram



Assembly Instructions

