

ZOOK Union Type & Screw Type Disc Holders

Bulletin no. E321601

Reusable units for use on:

- Air conditioning units
- High pressure cleaning equipment
- Gas cylinders
- Laboratory equipment
- Autoclaves



Features

Union Type – UT Series Holder

- Designed for use with PB or D Series Bursting Discs
- Low cost, ideal where installation space is limited
- Standard 30° angle seat design
- Sizes: 12.70mm (1/2"), 19.05mm (3/4"), 25mm (1"), 40mm (1-1/2"), and 50mm (2")
- Standard materials of construction: carbon steel and stainless steel. Other materials are available, consult ZOOK EUROPE LTD
- Threaded (FNPT) inlet and outlet connections standard. Consult ZOOK EUROPE LTD regarding welded connections

Screw Type – ST Series Holder

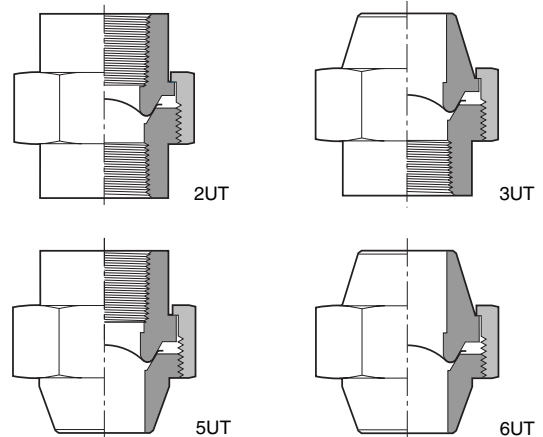
- Designed for use with PB or D Series Bursting Discs
- Available in Standard 30° angle or flat seat designs
- Ideal for application pressures up to 1035 barg (15,000 psig)
- Standard materials of construction: 300 series stainless steel. Other materials are available, consult ZOOK EUROPE LTD
- Standard inlet connections: 6.35mm (1/4" MNPT) or 12.70mm (1/2" MNPT)
- Standard outlet connections: muffled*, or free (open to atmosphere)
- Standard unit consists of 3 components: Inlet, Holddown Ring and outlet connection. The bursting disc mounts between the inlet and the holddown ring. The outlet nut provides compression required to seal the disc

Screw Type – TA Series (Throwaway)

- Inexpensive, disposable sealed assembly
- Solid brass body
- Available with PB and D Series Discs
- Wide variety of inlet/outlet and pressure setting configurations available

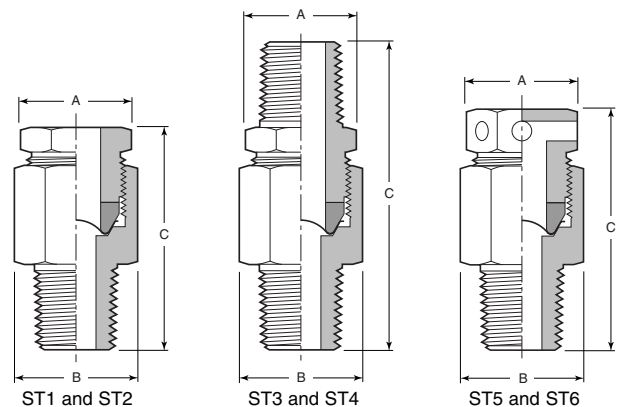
*Muffled outlets reduce noise levels and redirect fragments or product released when the bursting disc bursts.

Union Type disc holders (UT)



Size (mm)	Rating	Across Flats (mm)	Approximate end-to-end dimensions (mm)			
			2UT	3UT	5UT	6UT
12.70	3000#	46	49	60	60	38
	6000#	57	57	69	69	72
19.05	3000#	56	57	60	60	38
	6000#	38	38	66	66	69
25	3000#	65	38	66	66	69
	6000#	80	72	78	78	82
40	3000#	88	77	85	85	38
50	3000#	102	86	91	91	94

Screw Type disc holders (ST) and (TA) Throwaway



Assembly Number	Connections		Hex Size		Approximate End-to-End Dimensions C
	INLET	OUTLET	A	B	
ST1	6.35 mm	FREE	28 mm	32 mm	60 mm
ST2	12.70 mm	FREE	28 mm	32 mm	60 mm
ST3	6.35 mm	12.70 mm	28 mm	32 mm	80 mm
ST4	12.70 mm	12.70 mm	28 mm	32 mm	80 mm
ST5	6.35 mm	MUFFLED	28 mm	32 mm	65 mm
ST6	12.70 mm	MUFFLED	28 mm	32 mm	65 mm



ZOOK EUROPE LTD
Unit 33, Dinnington Business Centre
Colliery Close, Outgang Lane
Dinnington, Sheffield S25 3QX, UK.

Tel 0044 (0) 1909 560999
Fax 0044 (0) 1909 560860
E-Mail zookeurope@zook.co
www.zook.co