

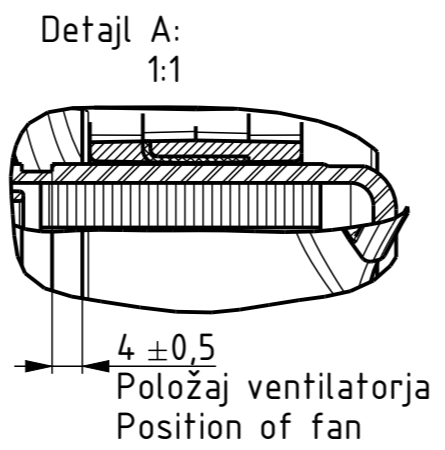
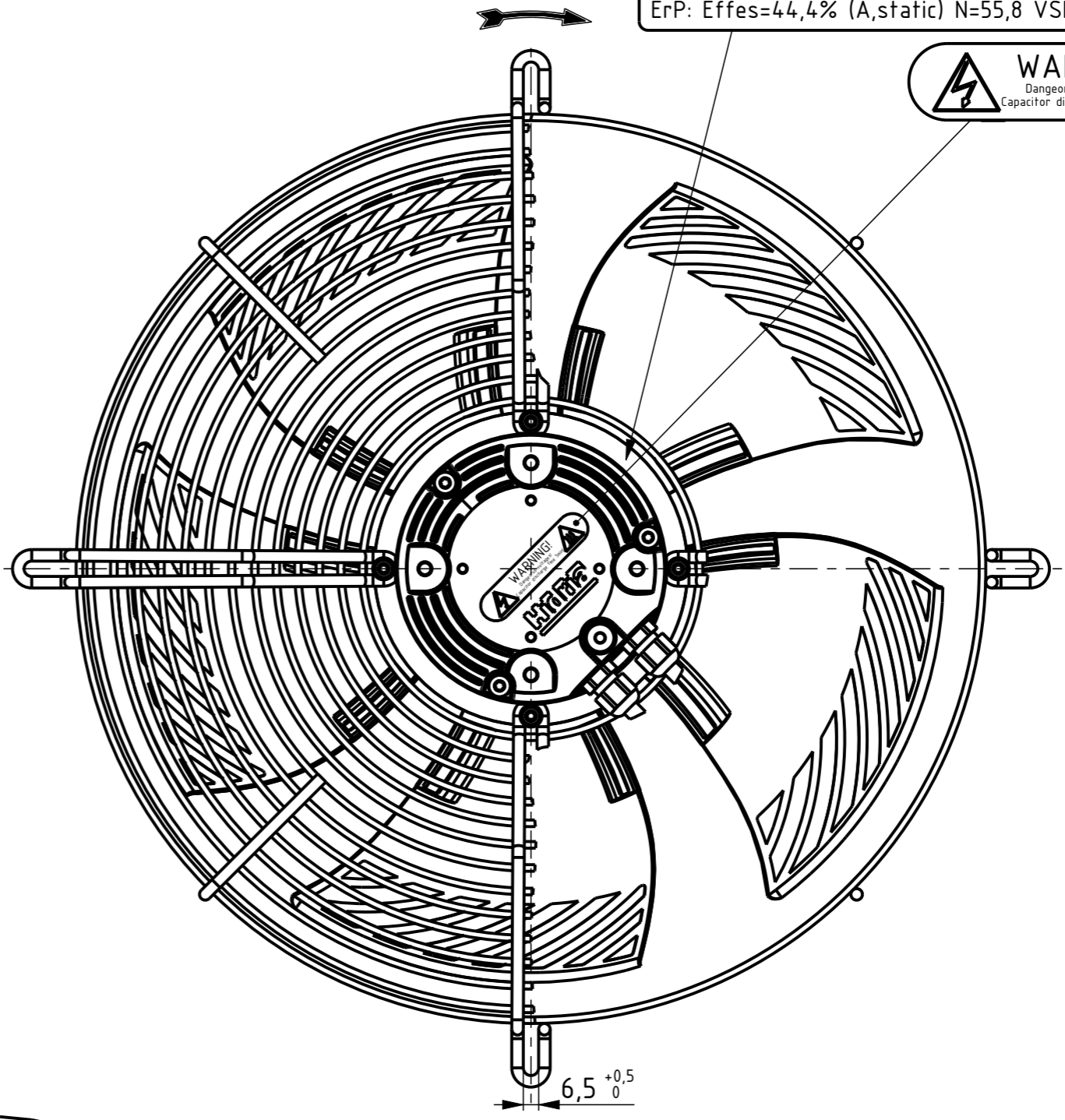
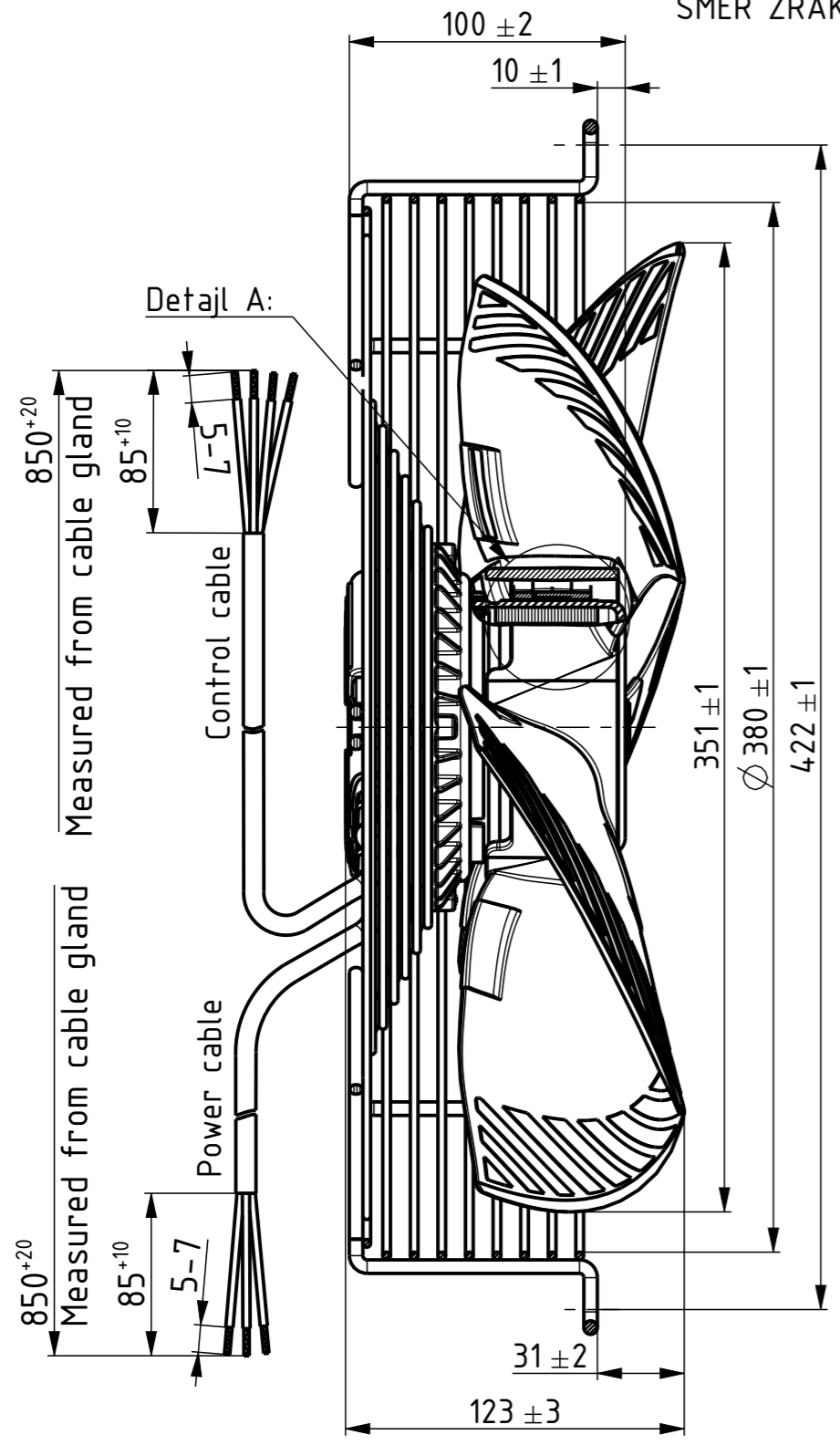
All drawings, regardless of form, are owned by Hidria d.o.o. and are strictly confidential and present copyright. Intellectual Property Rights as follows rights under the laws of patents, petty patents, design patents and registered designs, copyrights, trade secret rights, and similar exclusive rights in industrial property connected with the drawings are reserved by Hidria Rotomatika d.o.o.. Disclosure to any third party is strictly forbidden.

EN61800-5-1 R09R-35APS-ES25C-04B08 1~230-240V 50-60Hz 160W 1475RPM (1,25A@230V) IP54 Ins.Cl.130 max.amb.60°C Th.Prof. Class I. m=3,6kg ErP: Effes=44,4% (A,static) N=55,8 VSD integrated ROT.	<b>Hidria</b> Hidria d.o.o. SI-5281 Spodnja Idrija	<b>CE</b>	DATE 0309-4-3002	QR code

**WARNING!**

Dangerous voltages!  
 Capacitor discharge time 5min!

**SUCKING**  
 AIRFLOW DIRECTION  
 SMER ZRAKA



Priključna shema 0302-0-0008  
 Connection diagram 0302-0-0008  
 Podatki za nastavljanje in kontrolo motorja z ventilatorjem 0302-4-2002  
 Fan setting and control data 0302-4-2002

AA	AA	Prva izdaja. / First edition. Risba v Windchillu je skladna z risbo v arhivu.	15.05.2019	Uroš K.
Verzija Artikla: Article revision:	Verzija risbe: DRW Revision:	Opis spremembe: Description of change:	Datum: Date:	Izdelal: Produced:
KONSTRUIRAL / DRN:	15.05.2019	Uroš Kunc	<b>VENTILATOR</b> <b>R09R-35APS-ES25C-04B08</b>	
ODOBRIL / APP:	16.05.2019	Tadej Lipušček		
<b>Potrjeno/Approved</b>		KODA MATERIALA MATERIAL CODE	MASA: MASS:	KODA: CODE:
		NETOL. MERE/UNTOL DIM ISO 2768-m	DZJ	VERZIJA ARTIKLA: REVISION ARTICLE:
		MERILO/FORMAT 2:5/A3		0309-4-3002 0309-4-3002
			AA	VERZIJA RISBE: DRW REVISION: AA 1/1