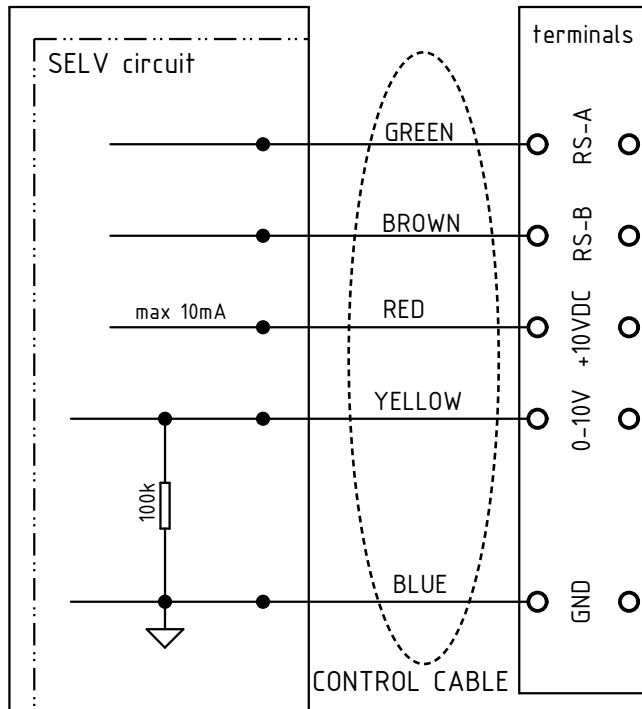
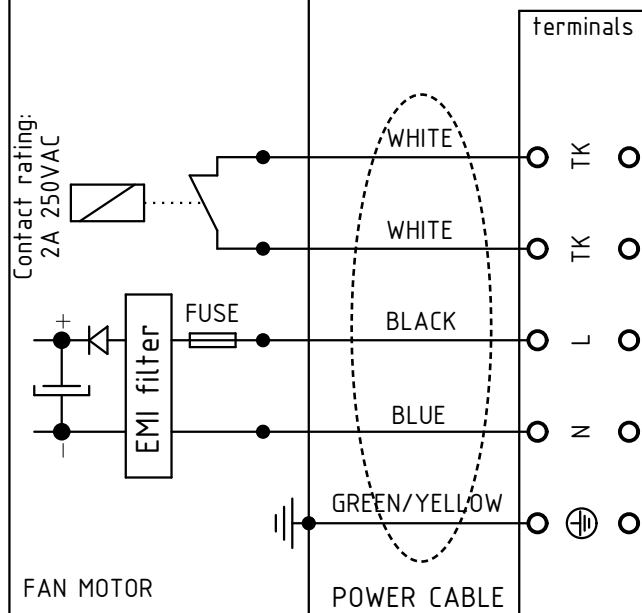
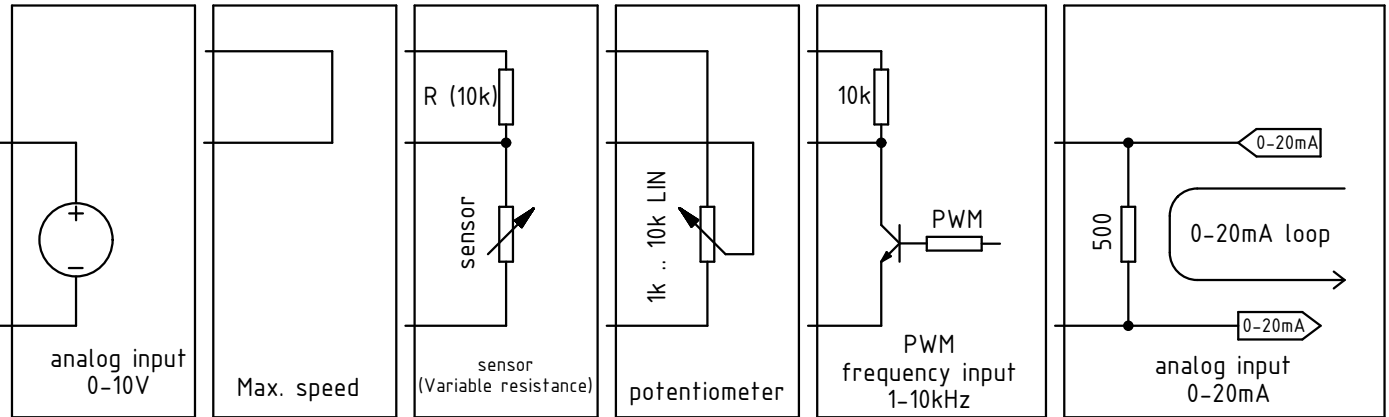


Connecting diagram 0302-0-0006



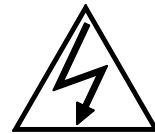
POSSIBLE SOLUTIONS FOR CONTROL CIRCUIT / customer's circuit:  
(MOD-BUS, voltage input, fixed speed, sensors, potentiometer, pwm generator, current loop...)

MOD-BUS  
serial com.



Alarm  
circuit

Power-supply  
circuit



**WARNING:**

- Before opening connection box switch off electric power!
- Dangerous voltages, capacitor discharge time 5min!

**NOTE:**

Please read user's guide before putting the fan into operation.  
Read user's guide about analog inputs or mod-bus protocols