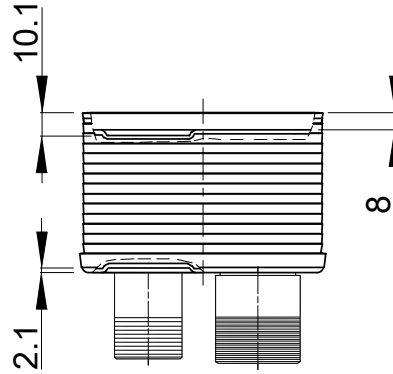
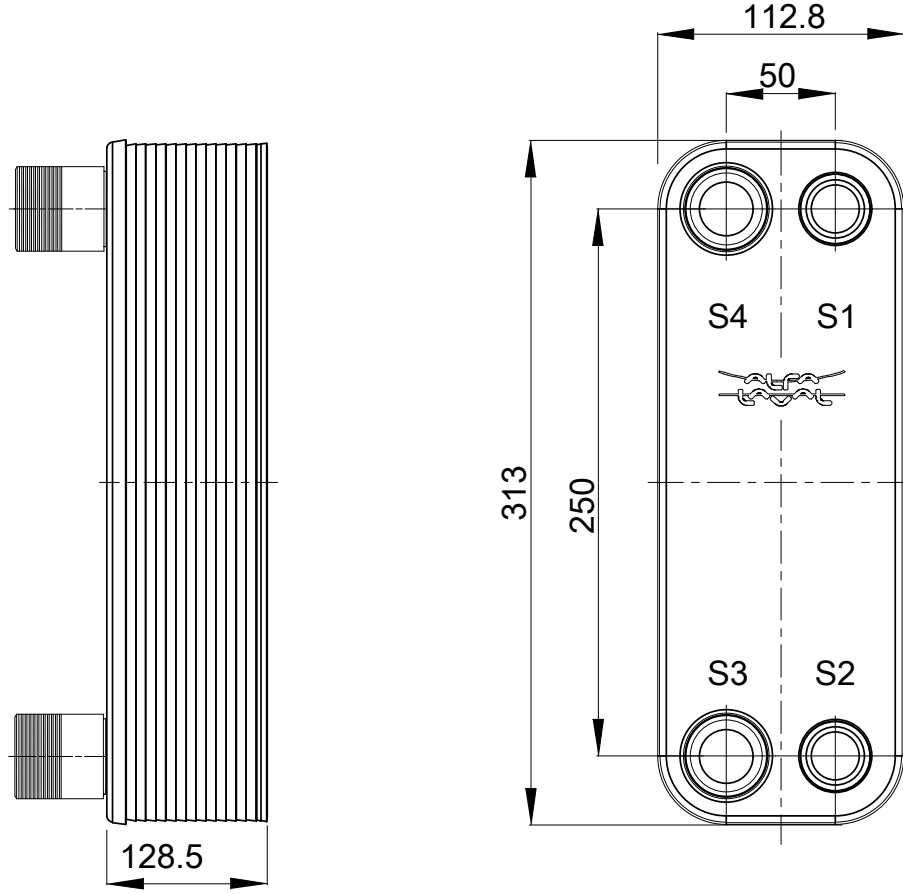
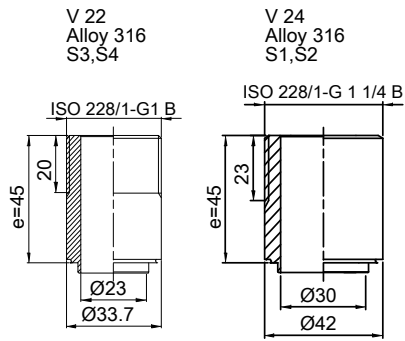


Note that all unique customer requirements (i.e tolerance) need to be verified thru Alfa Laval.



HEATING SURFACE  
 NETWEIGHT 7.97 kg  
 OPERATING WEIGHT  
 PLATE MATERIAL Alloy 316  
 PLATE GROUPING 1\*24ML/1\*25MH

T1 T2 T3 T4 locations on back side correspond to S1 S2 S3 S4 on front side

ALL DIMENSIONS IN MILLIMETERS

| SIDE | MEDIA | INLET | TEMP. | OUTLET | TEMP. | FLOW RATE | PRESSURE DROP | LIQUID VOL.          |
|------|-------|-------|-------|--------|-------|-----------|---------------|----------------------|
| 1    |       |       |       |        |       |           |               | 1.3 dm <sup>3</sup>  |
| 2    |       |       |       |        |       |           |               | 1.35 dm <sup>3</sup> |



PRESSURE VESSEL APPROVAL  
 CB30-50M (3287083372)

PED

www.alfalaval.com

CUSTOMER NAME / REF. NO.

COMPANY / REF.

TOTAL LENGTH 173.5 mm  
 TOTAL WIDTH 113.0 mm  
 TOTAL HEIGHT 313.0 mm



6/26/2017  
 REV 0