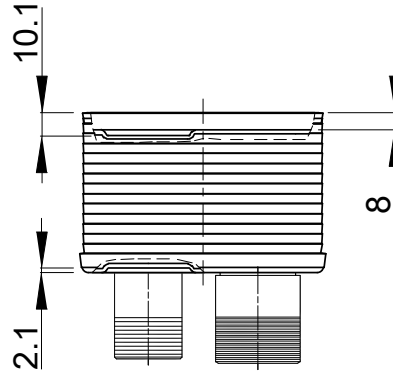
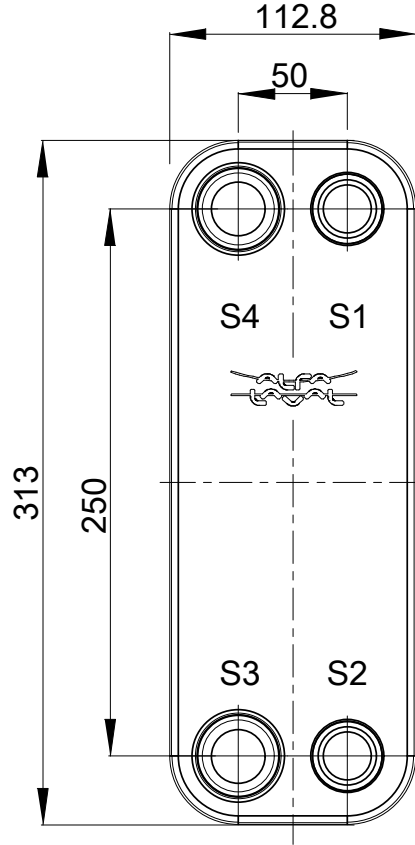
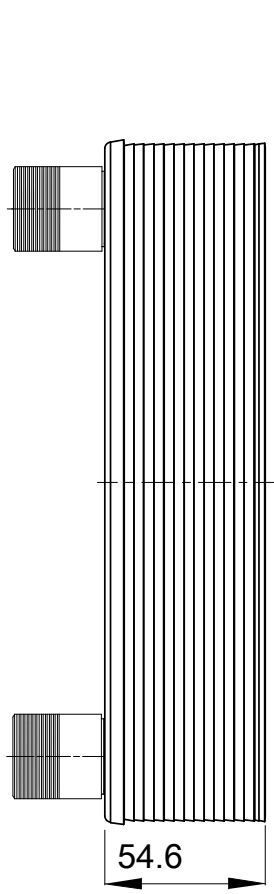
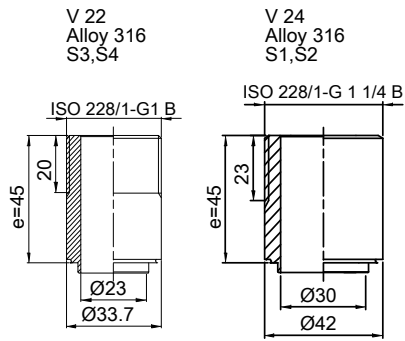


Note that all unique customer requirements (i.e tolerance) need to be verified thru Alfa Laval.



HEATING SURFACE
NETWEIGHT 4.42 kg
OPERATING WEIGHT
PLATE MATERIAL Alloy 316
PLATE GROUPING 1*8L/1*9L

T1 T2 T3 T4 locations on back side
correspond to S1 S2 S3 S4 on front side

ALL DIMENSIONS IN MILLIMETERS

SIDE	MEDIA	INLET	TEMP.	OUTLET	TEMP.	FLOW RATE	PRESSURE DROP	LIQUID VOL.
1								0.43 dm ³
2								0.49 dm ³



PRESSURE VESSEL APPROVAL
CB30-18L (3287083378)

PED

www.alfalaval.com

CUSTOMER NAME / REF. NO.	TOTAL LENGTH	99.6 mm
	TOTAL WIDTH	113.0 mm
COMPANY / REF.	TOTAL HEIGHT	313.0 mm
	6/26/2017 REV 0	