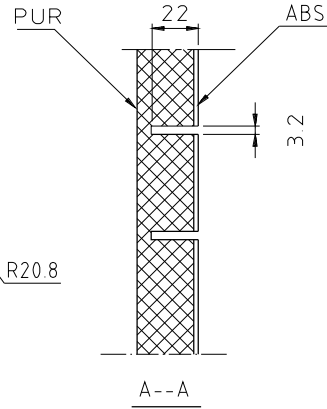
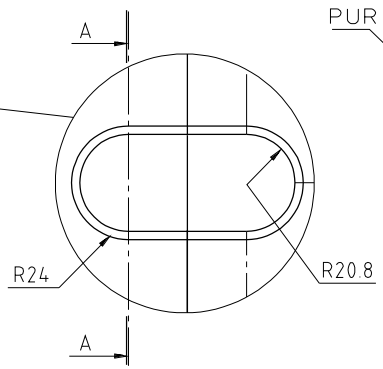
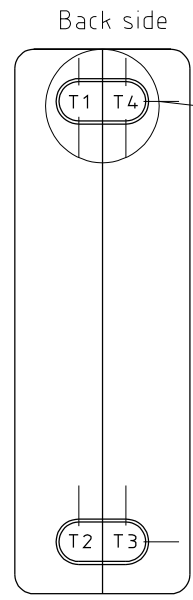
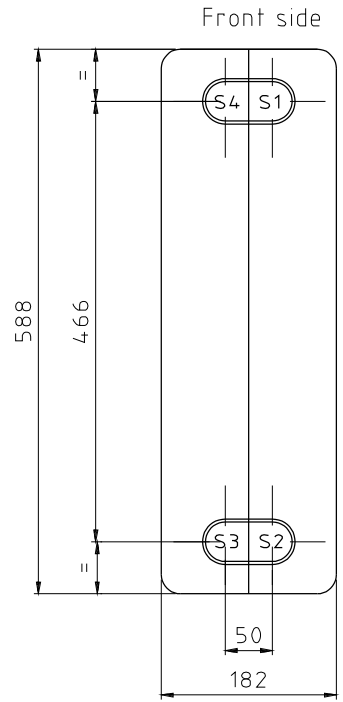


Only to the extent expressly agreed by us this document may constitute a contractual obligation on our part

This document and its contents are the exclusive property of Alfa Laval AB and must not be copied, reproduced, transmitted or communicated to any other party or used for purposes not expressly permitted by us



1) MATERIAL
 ABS with leather grain
 Color blue NCS 3560-R75B
 CFC-free polyurethan foam
 Density: 70 kg/m³
 Nominal thickness:

Side	Gabel	Top/bottom
32	24.5	31

1) NOTE
 Fire classification E
 according to EN ISO 11925-2:2010
 Thermal conductivity 28,6 - 32 mW/mK
 Max temperature: 130°C



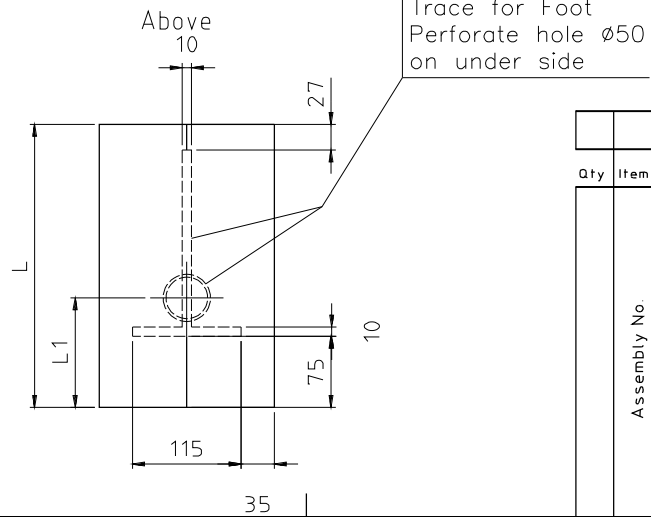
Max No. of plates		L	L1	Art.No.
AlfaNova	CB			
18	20	112		32360-0089-1
38	40	160	45	32360-0089-2
58	60	209	45	32360-0089-3
76	80	257	85	32360-0089-4
96	100	304	85	32360-0089-5
114	120	352	135	32360-0089-6
144	150	424	135	32360-0089-7

SÄRSKILDA KRAV
 SPEC REQUIREMENTS

Kanter brutna
 Grader avlägsnade
 Ytjämnhet Ra
 Edges broken
 Burrs removed
 Surface roughn. in Ra

Toleranser där ej annat angetts. Avser spånävskilj, bearbetn., klippta eller stansade ytor.
 Tolerances where not stated. Chip cutting, shearing or punching

Basmått		Tol.
Basic size		
(1)	6	± 0.2
(6)	30	± 0.5
(30)	120	± 0.8
(120)	315	± 1.2
(315)	1000	± 2
(1000)	2000	± 3
(2000)	4000	± 4



Qty	Item	Article No	Name/Designation	Material (final condition)/Blank	Note
		32360-0089-X	INSULATION KIT	1.)	1.)
Assembly No.	Dept	PC CHE	Date	160317	Title INSULATION KIT CB52 / 60 BHE / FHE
	Drawn	AIC	Approved	AHN 160317	
	Scale	1:5	First angle projection	ISO method E	Drawing No. 32360-0089
	Project No.	Change Level: 11		Text:	
Missing dimensions L1 (45) added in table for Art No. -2 and -3					