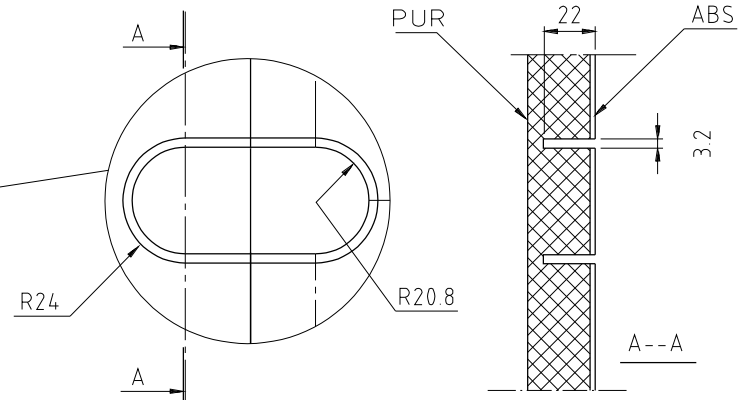
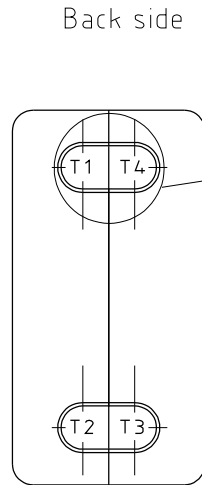
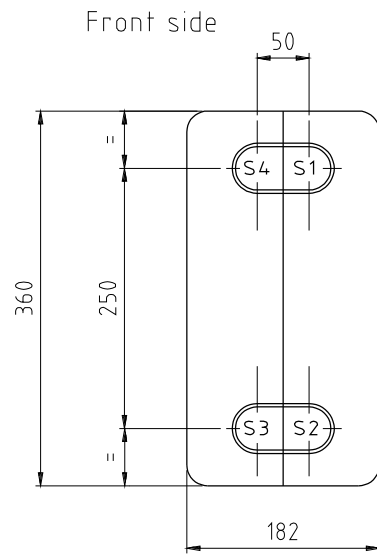


Only to the extent expressly agreed by us this document may constitute a contractual obligation on our part

This document and its contents are the exclusive property of Alfa Laval AB and must not be copied, reproduced, transmitted or communicated to any other party or used for purposes not expressly permitted by us.



Above



1) MATERIAL
ABS WITH LEATHER GRAIN
COLOUR BLUE NCS 3560-R75B
POLYURETHAN 60 KG/M²

1) NOTE
BURN RATE: EUROCLASS F3, OR B3
THERMAL CONDUCTIVITY: 0.025-0.033 W/mK

Trace for Foot
Perforate hole $\varnothing 50$
on under side

XX=

Max No.	AlfaNova	CB	L	L1	Art.No.
18	20		112		32360-0088-1
38	40		160		32360-0088-2
58	60		209		32360-0088-3
76	80		257	85	32360-0088-4
76	100		304	85	32360-0088-5
114	120		352	135	32360-0088-6
144	150		424	135	32360-0088-7
-	30		112		32360-0088-8

XX= Isol.special with hole S1,S2,S3,S4 + trace for For

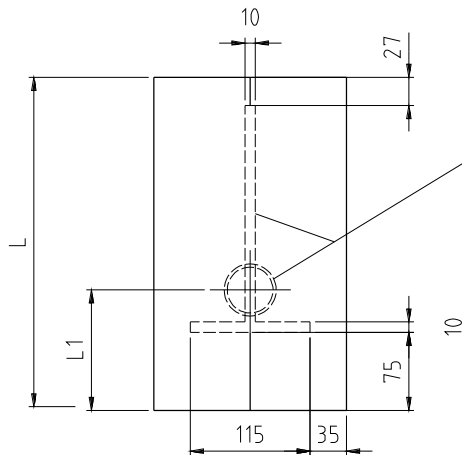
SÄRSKILDA KRAV
SPEC. REQUIREMENTS

Kanter brutna
Grader avlagsnade
Ytjämnhet Ra

Edges broken
Burr removed
Surface roughn. in Ra

Toleranser där ej
annat angetts. Avser
spånaskilj, bearbetn.,
klippa eller stan-
sade ytor.
Tolerances where not
stated. Chip cutting,
shearing or punching.

Basmått Basic size	Tol.
(1)	6 ± 0.2
(6)	30 ± 0.5
(30)	120 ± 0.8
(120)	315 ± 1.2
(315)	1000 ± 2
(1000)	2000 ± 3
(2000)	4000 ± 4



Qty	Item	Article No.	Name/Designation	Material (final condition)/Blank	Note		
		32360-0088-X	INSULATIONS KIT	1.)	1.)		
Assembly No.	Dept.	PC CHE	Date	130822	Scale	1:5	Title INSULATIONS KIT CB27/30, AN27 BHR / FHE
	Drawn	AEK	Approved	AIC 130826	First angle projection ISO method E		
	DESIGN NOTIFICATION						
	Project No.:						
		Change Level: 11				Drawing No. 32360-0088	
		Text: Material changed.				Rev. No. 11	