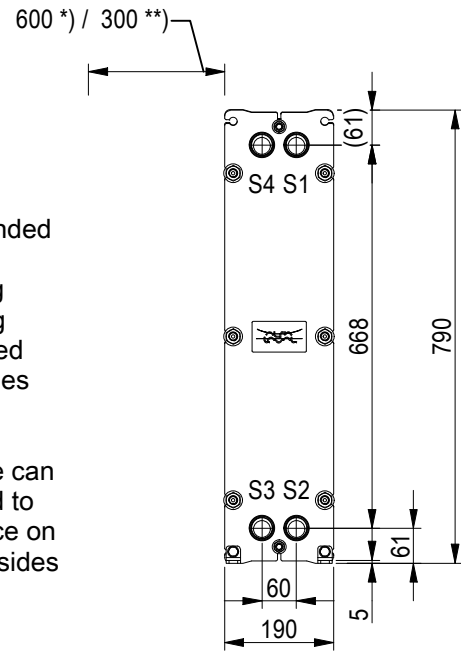


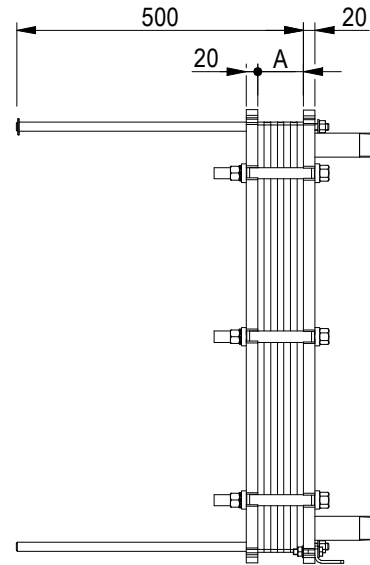
FRAME PLATE



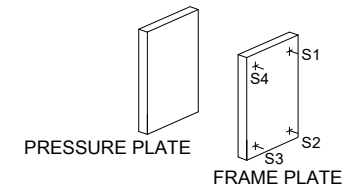
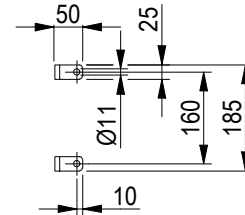
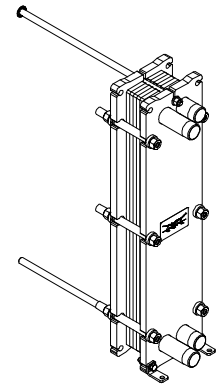
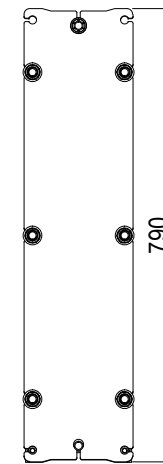
*) Recommended free space for opening and closing to be applied on both sides

**) Free space can be reduced to this distance on one of the sides

Space between pressure plate and supporting column should be kept free from fixed installations!



PRESSURE PLATE (MOVABLE)

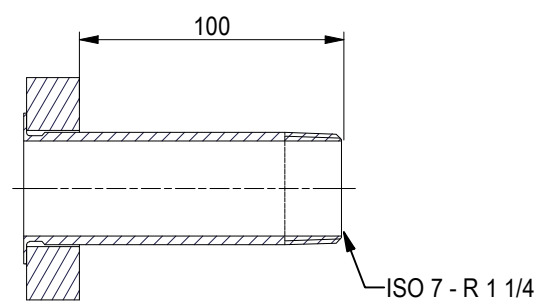
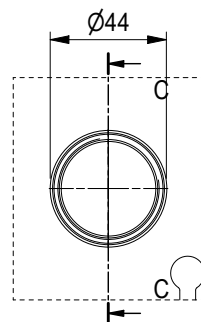
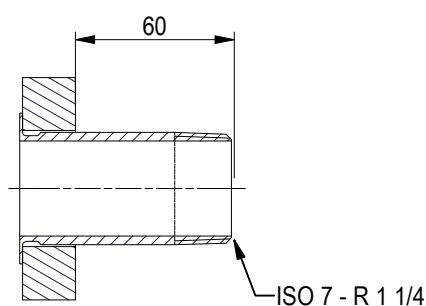
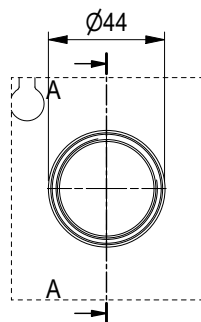


ISO 7 - R 1 1/4, ALLOY 316, 80 mm
S1, S2

A-A:

ISO 7 - R 1 1/4, ALLOY 316, 120 mm
S3, S4

C-C:



All dimensions in millimeters (mm)

NO. OF UNITS

1

| APPROX. OUTER DIMENSIONS | |
|--------------------------|--------------|
| LENGTH | 510 mm |
| WIDTH | 200 mm |
| HEIGHT | 800 mm |
| APPROX. WEIGHTS | |
| NET WEIGHT, EMPTY | 52.0 kg |
| WEIGHT FULL OF WATER | 62.1 kg |
| PLATE MATERIAL | ALLOY 316 |
| PLATE THICKNESS | 0.5 mm |
| GASKET | NBRP Clip-on |

CHANNEL ARRANGEMENT 1*24 H
/ 1*25 H

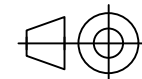


www.alfalaval.com

DRAWING
GASKETED PLATE HEAT EXCHANGER

TL3-PFG

PED Article 4.3



8240123797

Do not use this drawing for foundation bolting or piping layout

| | |
|----------|---------|
| DATE | 2/26/22 |
| REVISION | 0 |