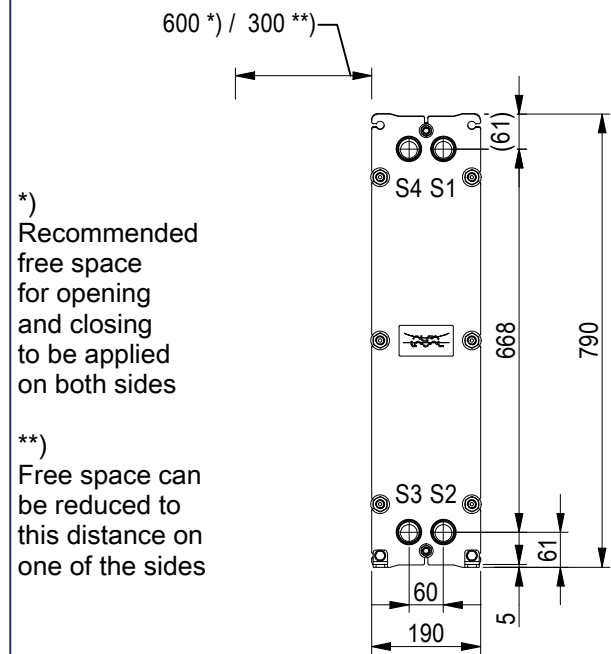


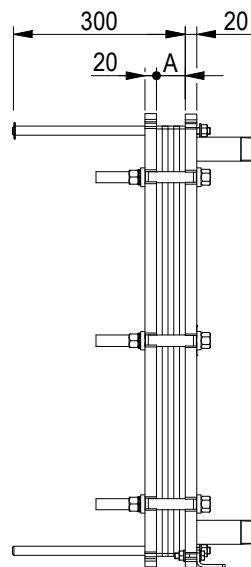
### FRAME PLATE



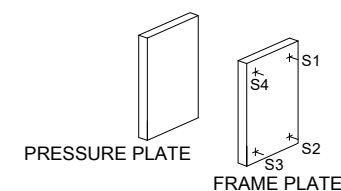
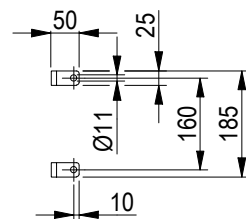
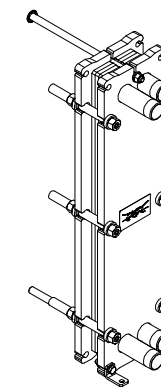
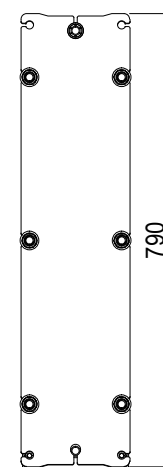
\*) Recommended free space for opening and closing to be applied on both sides

\*\*) Free space can be reduced to this distance on one of the sides

Space between pressure plate and supporting column should be kept free from fixed installations!



### PRESSURE PLATE (MOVABLE)

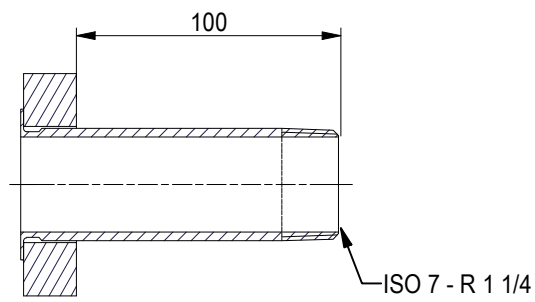
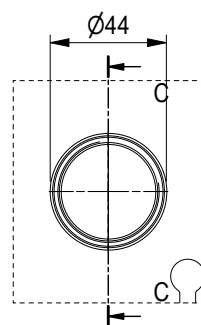
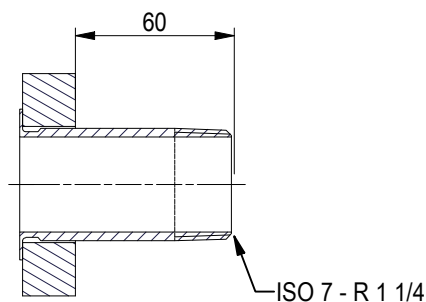
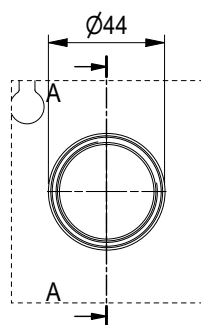


ISO 7 - R 1 1/4, ALLOY 316, 80 mm  
S1, S2

A-A:

ISO 7 - R 1 1/4, ALLOY 316, 120 mm  
S3, S4

C-C:



All dimensions in millimeters (mm)

NO. OF UNITS

1

#### APPROX. OUTER DIMENSIONS

LENGTH 310 mm  
WIDTH 200 mm  
HEIGHT 800 mm

#### APPROX. WEIGHTS

NET WEIGHT, EMPTY 47.4 kg  
WEIGHT FULL OF WATER 50.5 kg  
PLATE MATERIAL ALLOY 316  
PLATE THICKNESS 0.5 mm  
GASKET NBRP Clip-on

CHANNEL ARRANGEMENT 1\*7 ML  
/ 1\*7 MH

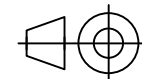


www.alfalaval.com

DRAWING  
GASKETED PLATE HEAT EXCHANGER

# TL3-PFG

PED Article 4.3



8240123770

Do not use this drawing for foundation bolting or piping layout

DATE 2/26/22  
REVISION 0