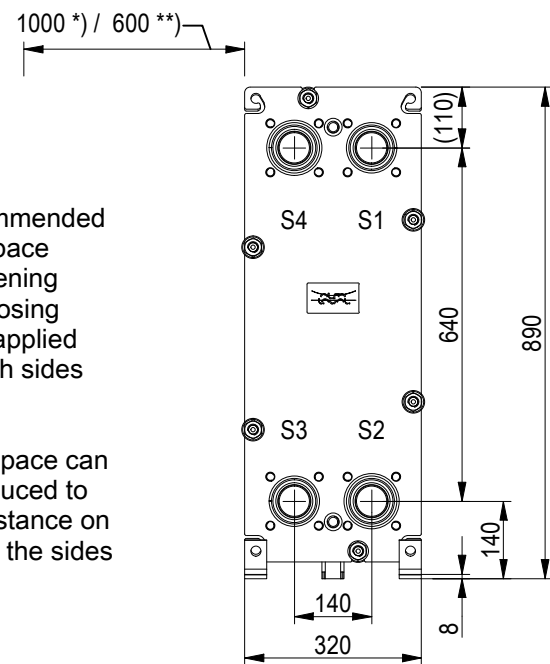


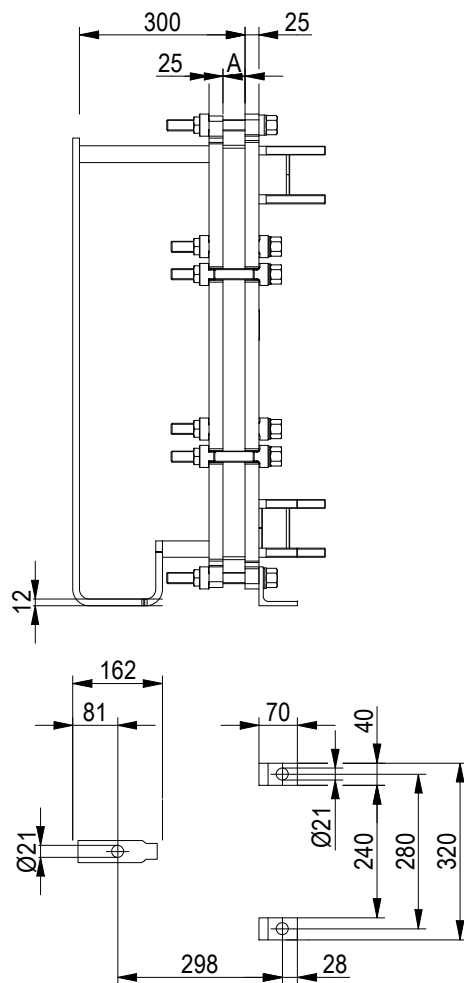
FRAME PLATE



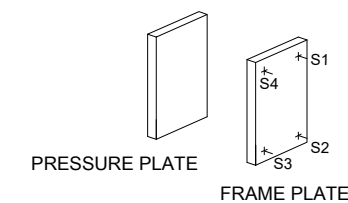
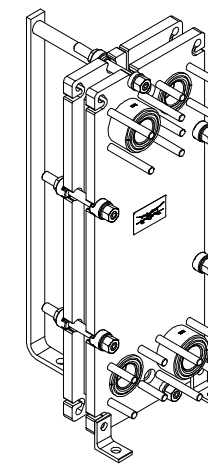
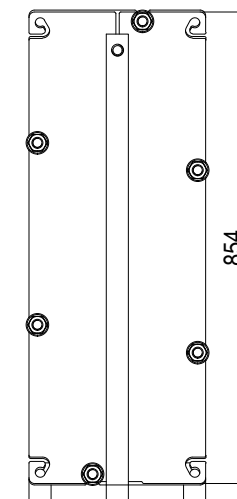
*) Recommended free space for opening and closing to be applied on both sides

**) Free space can be reduced to this distance on one of the sides

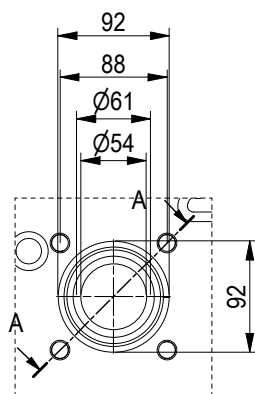
Space between pressure plate and supporting column should be kept free from fixed installations!



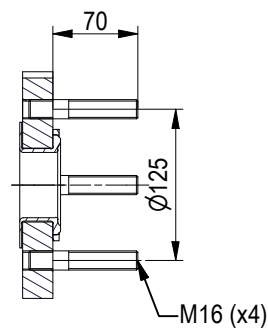
PRESSURE PLATE (MOVABLE)



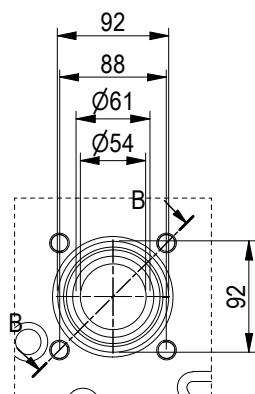
EN 1092-1 DN50 PN10
S1, S3



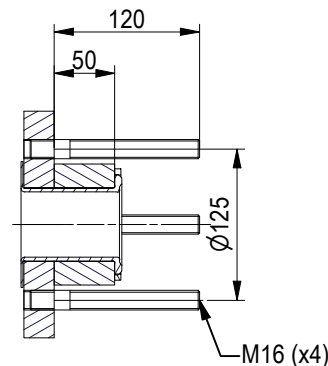
A-A:
NBRP / ALLOY 316



EN 1092-1 DN50 PN10
S2, S4



B-B:
NBRP / ALLOY 316



All dimensions in millimeters (mm)

NO. OF UNITS

1

APPROX. OUTER DIMENSIONS

| | |
|--------|--------|
| LENGTH | 490 mm |
| WIDTH | 330 mm |
| HEIGHT | 880 mm |

APPROX. WEIGHTS

| | |
|----------------------|----------------|
| NET WEIGHT, EMPTY | 136 kg |
| WEIGHT FULL OF WATER | 144 kg |
| PLATE MATERIAL | ALLOY 316 |
| PLATE THICKNESS | 0.5 mm |
| GASKET | NBRP ClipGrip™ |

CHANNEL ARRANGEMENT 1*14 L / 1*15 L

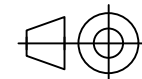


www.alfalaval.com

DRAWING
GASKETED PLATE HEAT EXCHANGER

T6-BFM

PED Article 4.3



8240120923

Do not use this drawing for foundation bolting or piping layout

DATE 2/21/22
REVISION 0

This document and its contents are subject to copyrights and other intellectual property rights owned by Alfa Laval (pub) or any of its affiliates (Alfa Laval). No part of this document may be copied, reproduced or transmitted in any form or by any means, or for any purpose, without Alfa Laval's prior express written permission. Information and services provided in this document are made as a benefit and service to the user, and no representations or warranties are made about the accuracy or suitability of this information and these services for any purpose. All rights are reserved.