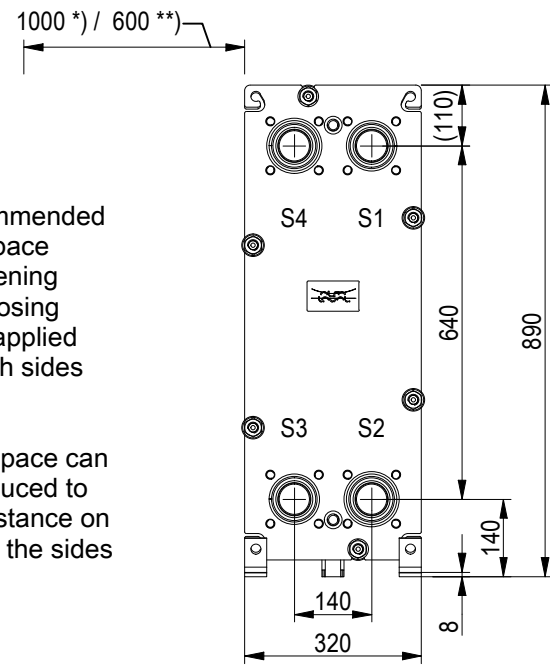


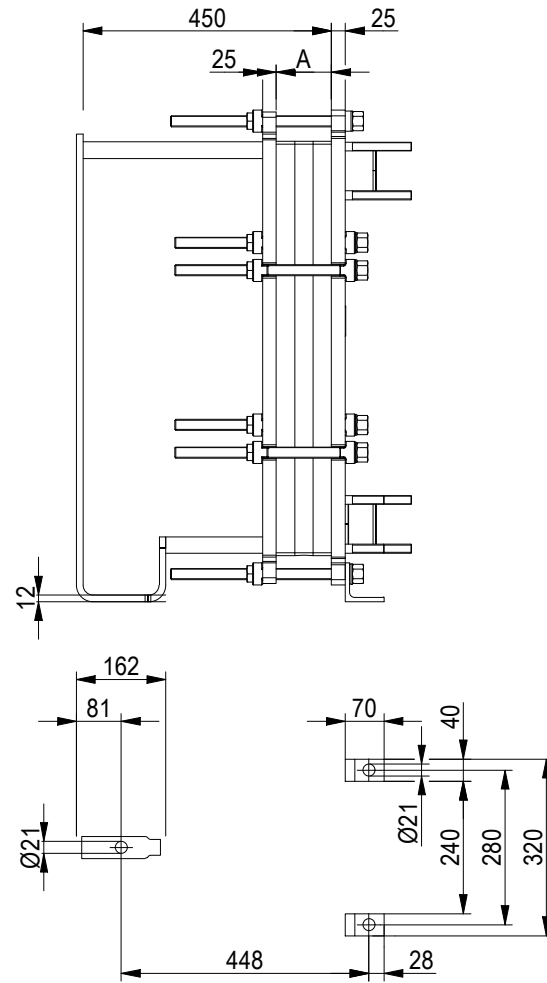
### FRAME PLATE



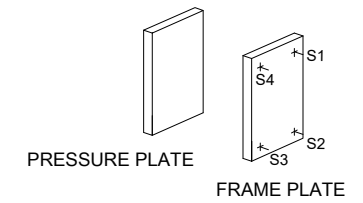
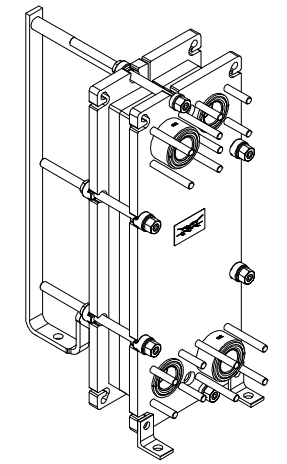
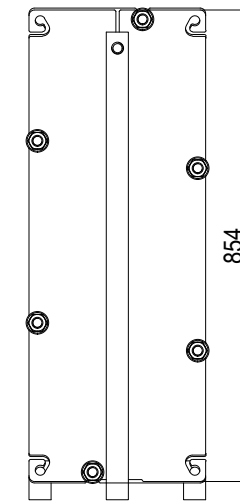
\*) Recommended free space for opening and closing to be applied on both sides

\*\*) Free space can be reduced to this distance on one of the sides

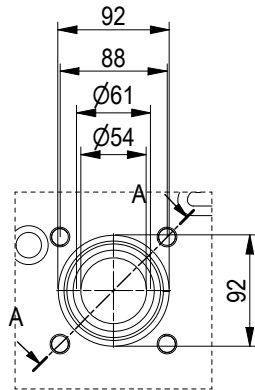
Space between pressure plate and supporting column should be kept free from fixed installations!



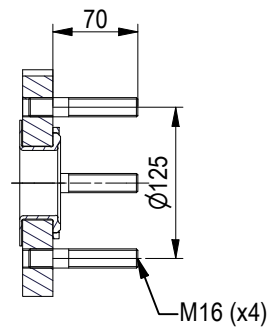
### PRESSURE PLATE (MOVABLE)



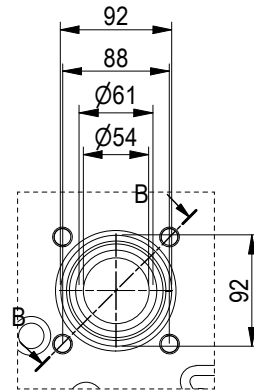
EN 1092-1 DN50 PN16  
S1, S3



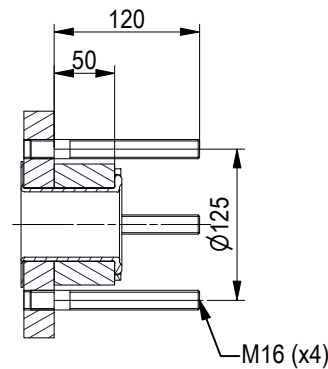
A-A:  
NBRP / ALLOY 316



EN 1092-1 DN50 PN16  
S2, S4



B-B:  
NBRP / ALLOY 316



All dimensions in millimeters (mm)

NO. OF UNITS

1

APPROX. OUTER DIMENSIONS	
LENGTH	640 mm
WIDTH	330 mm
HEIGHT	880 mm
APPROX. WEIGHTS	
NET WEIGHT, EMPTY	161 kg
WEIGHT FULL OF WATER	176 kg
PLATE MATERIAL	ALLOY 316
PLATE THICKNESS	0.5 mm
GASKET	NBRP ClipGrip™

CHANNEL ARRANGEMENT 1\*29 ML  
/ 1\*30 MH

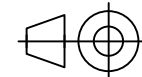


www.alfalaval.com

DRAWING  
GASKETED PLATE HEAT EXCHANGER

# T6-BFG

PED Article 4.3



8240120742

Do not use this drawing for foundation bolting or piping layout

DATE 2/21/22  
REVISION 0