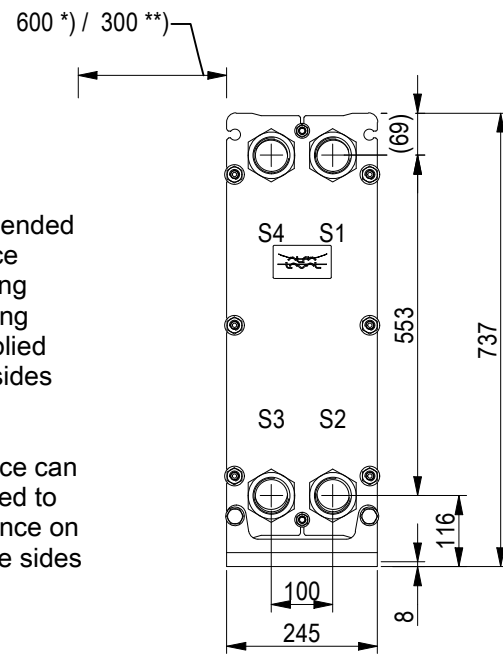


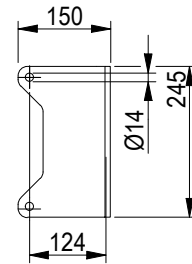
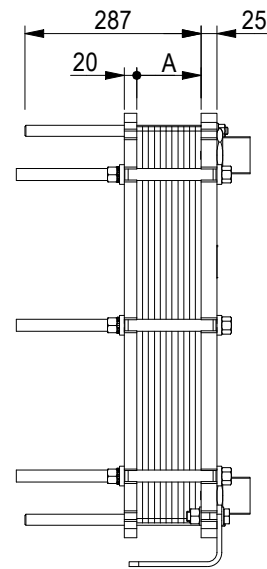
FRAME PLATE



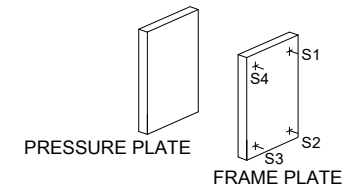
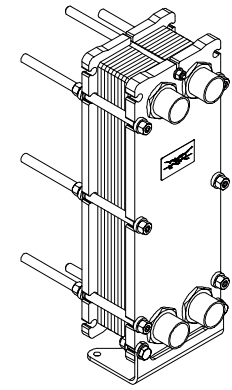
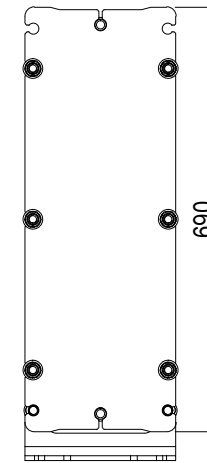
*) Recommended free space for opening and closing to be applied on both sides

**) Free space can be reduced to this distance on one of the sides

Space between pressure plate and supporting column should be kept free from fixed installations!

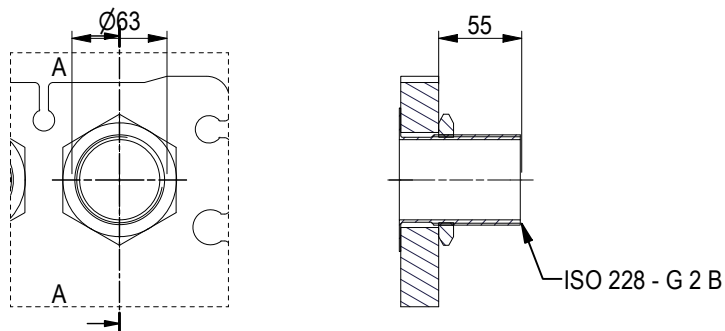


PRESSURE PLATE (MOVABLE)



ISO 228 - G 2 B, ALLOY 316, 80 mm
S1, S2, S3, S4

A-A:



All dimensions in millimeters (mm)

NO. OF UNITS

1

| | |
|--------------------------|--------------|
| APPROX. OUTER DIMENSIONS | |
| LENGTH | 300 mm |
| WIDTH | 260 mm |
| HEIGHT | 700 mm |
| APPROX. WEIGHTS | |
| NET WEIGHT, EMPTY | 97.0 kg |
| WEIGHT FULL OF WATER | 107 kg |
| PLATE MATERIAL | ALLOY 316 |
| PLATE THICKNESS | 0.5 mm |
| GASKET | NBRP Clip-on |

CHANNEL ARRANGEMENT 1*34 H
/ 1*35 H

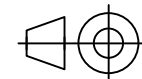


www.alfalaval.com

DRAWING
GASKETED PLATE HEAT EXCHANGER

T5-BFG

PED Article 4.3



8240124360

Do not use this drawing for foundation bolting or piping layout

DATE 2/28/22
REVISION 0