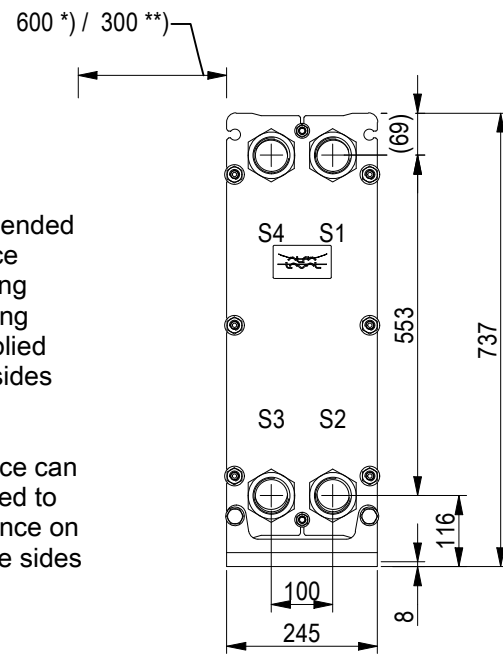


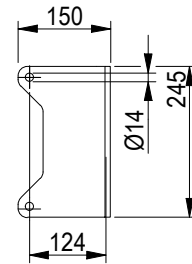
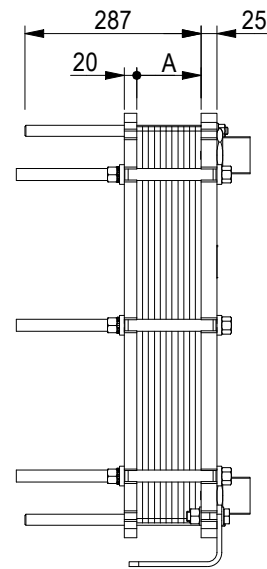
### FRAME PLATE



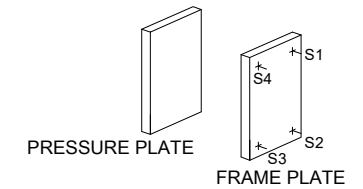
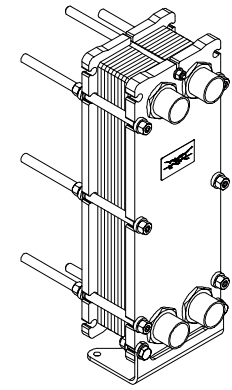
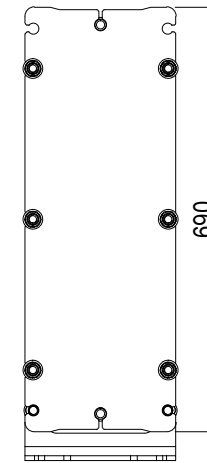
\*) Recommended free space for opening and closing to be applied on both sides

\*\*) Free space can be reduced to this distance on one of the sides

Space between pressure plate and supporting column should be kept free from fixed installations!

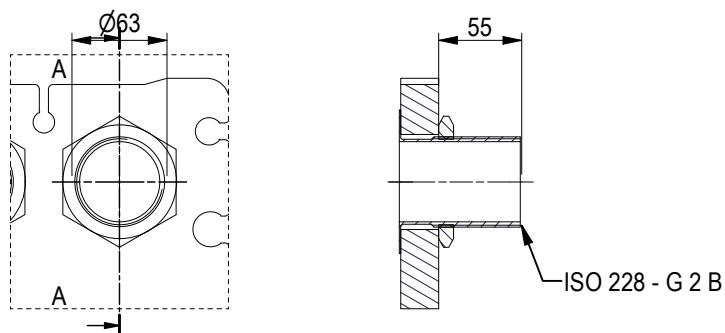


### PRESSURE PLATE (MOVABLE)



ISO 228 - G 2 B, ALLOY 316, 80 mm  
S1, S2, S3, S4

A-A:



All dimensions in millimeters (mm)

NO. OF UNITS

1

|                          |              |
|--------------------------|--------------|
| APPROX. OUTER DIMENSIONS |              |
| LENGTH                   | 300 mm       |
| WIDTH                    | 260 mm       |
| HEIGHT                   | 700 mm       |
| APPROX. WEIGHTS          |              |
| NET WEIGHT, EMPTY        | 89.3 kg      |
| WEIGHT FULL OF WATER     | 97.2 kg      |
| PLATE MATERIAL           | ALLOY 316    |
| PLATE THICKNESS          | 0.5 mm       |
| GASKET                   | NBRP Clip-on |

CHANNEL ARRANGEMENT 1\*27 L / 1\*27 L

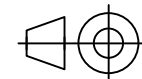


www.alfalaval.com

DRAWING  
GASKETED PLATE HEAT EXCHANGER

# T5-BFG

PED Article 4.3



8240124409

Do not use this drawing for foundation bolting or piping layout

DATE 2/28/22  
REVISION 0